



产品手册

Product manual

追求卓越品质 · 超越顾客期望

浙江正理生能科技有限公司

ZHEJIANG AMA & HIEN TECHNOLOGY CO.,LTD.

🏠 中国浙江省乐清市蒲岐特色工业区
Puqi Special Industrial Zone, Yueqing City, Zhejiang Province, China

☎ 86-577-62121888 62122255

📠 86-577-62121999 62122266

🌐 www.chinaama.com; www.amaelec.com

✉ China: International@hien.cn

National trade: tinac@chinaama.com

www.chinaama.com 🔍

www.amaelec.com 🔍

企业简介

Brief Introduction

Efficient Management Electronic >>

Founded in **1992**, is a professional electronic connector enterprise and a national modern high-tech green factory. Located in Puqi, Yueqing City, it has over **1,200** employees, a **50,000**-plus sq.m, total area and **120,000**-sq.m. construction area, With **300** million yuan registered capital, it's invested **67** million in fixed assets and **55.5** million in working capital.

It mainly produces electronic connectors, terminals, automotive parts, heat pumps, HVAC heat source products, etc, Adopting "innovation, integrity. efficiency, cooperation" as its philosophy, it has a professional team. Rated advanced at provincial and municipal levels, it has advanced equipment. it's a supplier for famous enterprises like Skyworth, Haier, Geely.

Having offices in multiple places, it provides over **2,600** connector products, has **20+** patents and **300+** production equipment. it's supplied over **130** cities and regions, It has an integrated model and passed various certifications. its products meet EU requirements, It has a postdoctoral workstation and cooperates with universities.

AMA&HIEN will improve management, focus on customers, and provide better products and services, welcoming cooperation.

- 1 REGISTERED CAPITAL: 300 MILLION RMB
- 2 CAPITALIZATION: 380 MILLION RMB
- 3 PLANT AREA: 50,000 SQM
- 4 COMPANY STAFF: OVER 280 EMPLOYEES



DEVELOPMENT HISTORY

2000

The company expanded and officially renamed to Zhejiang Zhengli Electronic & Electrical Appliances Co., Ltd.

1992

Yueqing Hongqiao Jiali Electronic Component Factory was established, specializing in producing connectors.

2001

We accomplished a one-stop service of product design, mold processing and production.

2005

A new business unit was established to design and produce new products. We entered to a new field.

2009

A new business unit was established to design and produce new products. We entered to a new field.

2011

A new business unit was established to design and produce new products. We entered to a new field.

2019

The company was awarded AAA level contract abiding and trustworthy enterprise.

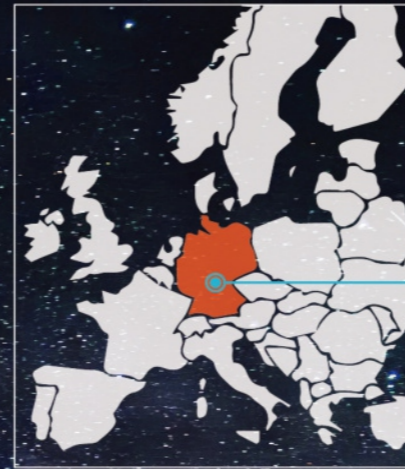
2021

Industrial upgrading in 2021, including energy storage and power supply to our business.

2023

The company has been awarded the title of National Green Factory.

BUSINESS DISTRIBUTION



GERMANY OFFICE

SHUZHOU OFFICE

MIANYANG OFFICE

MIANYANG OFFICE

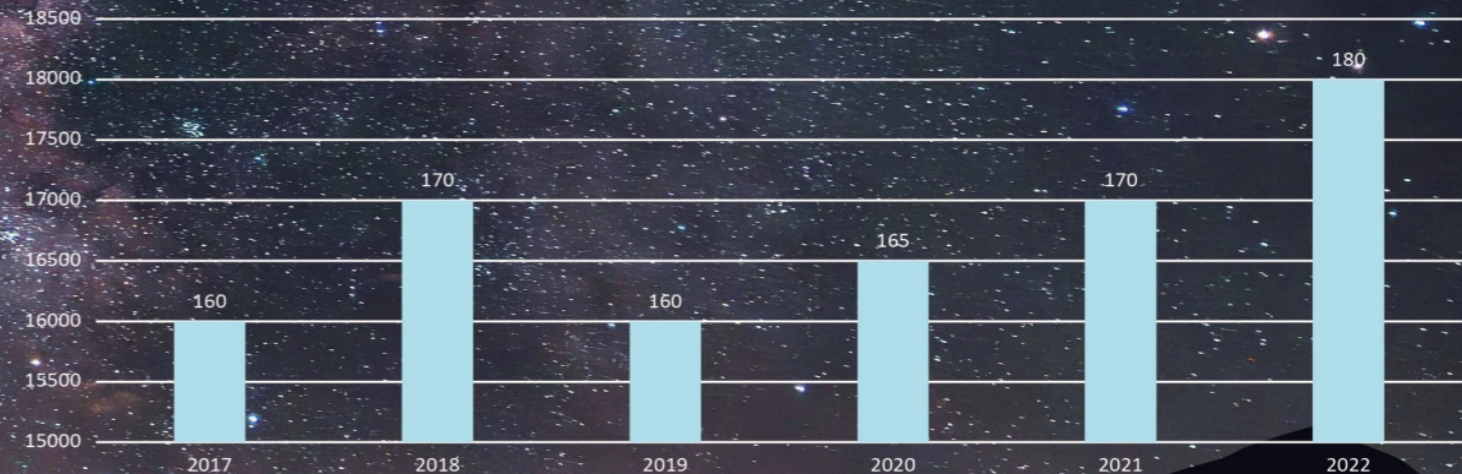
KUNSHAN OFFICE

TAIWAN OFFICE

SHENZHEN OFFICE

Headquarter
Puqi Industrial zone, yueqing of zhejiang

COMPANY ANNUAL TURNOVER



UNIT: MILLION CNY

产品目录

Series

1002	01-02
1007	03-04
1010	05
1251	05-07
1254	08
1255	09-10
1257	10-11
1259	12
1501	13-14
1502	14
1508	15
1510	16
1802	17
12510	17
12514	18
12512	19-20
12513	21
2004	22-23
2006	24-25
2008	25-27
2010	28-30
2011	30
H2506	31-32
2509	33-34
2511	35
2513	36
C2514	37
2515	38-40
2516	40

Series

2517	41
2518	41-42
2519	42
2520	43
2542	43-44
2547	44
2548	45
25410	46
25411	46
C2001	47
C2002	48
FPC2541	49
EH	50-51
JC 20	52
JC 25	53
PH	54-56
PHB	57-58
PHC	59
PHE	60
SAN	61
SCN	62
SM	63-64
TJC3	64-68
TJC3B	69-73
XAD	74
XHR	75
XHE	76
3701	77
3964	78

产品目录

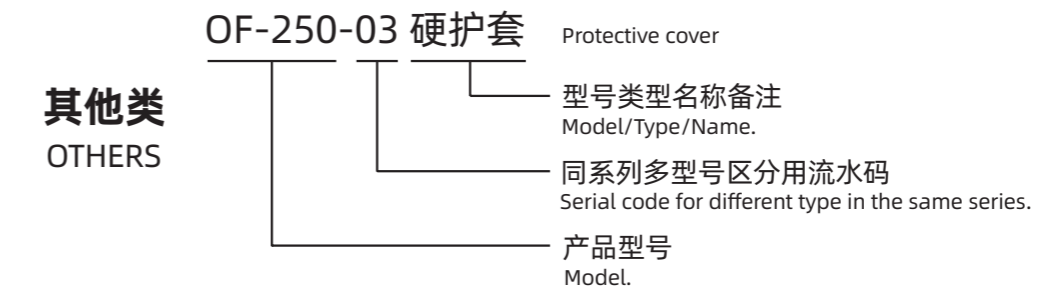
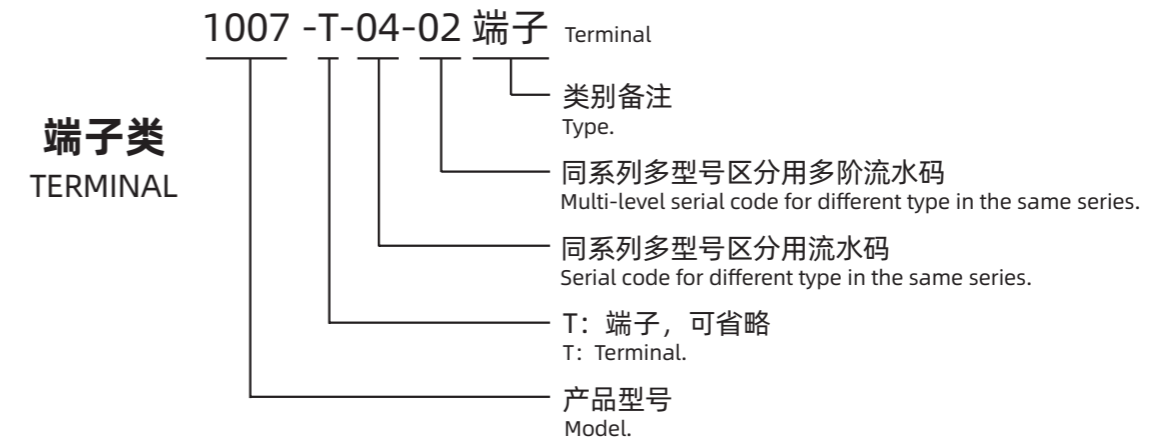
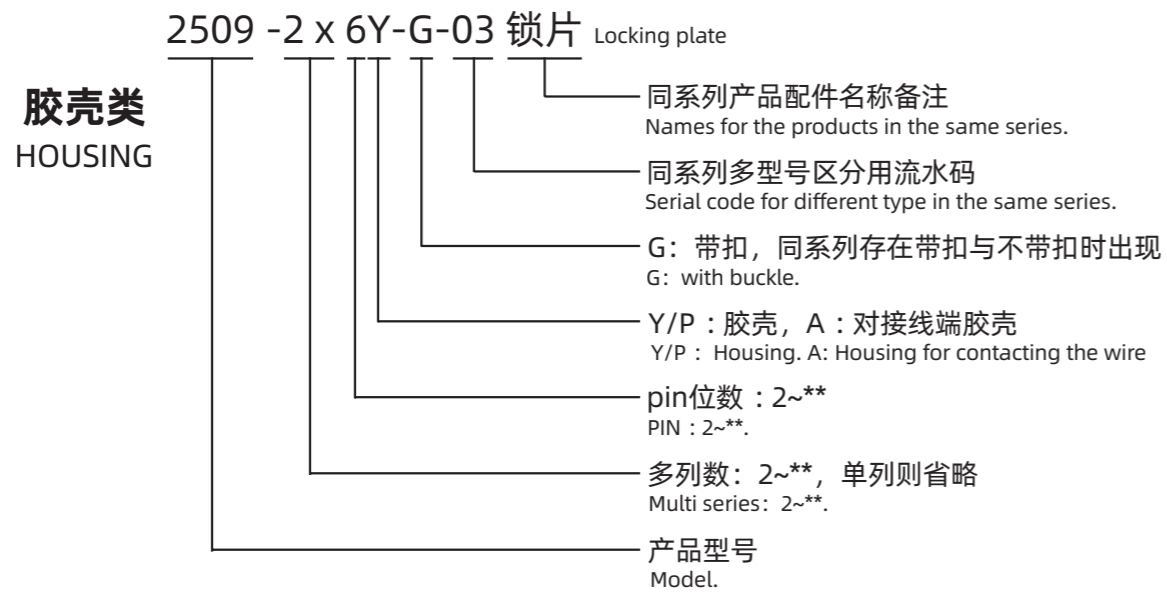
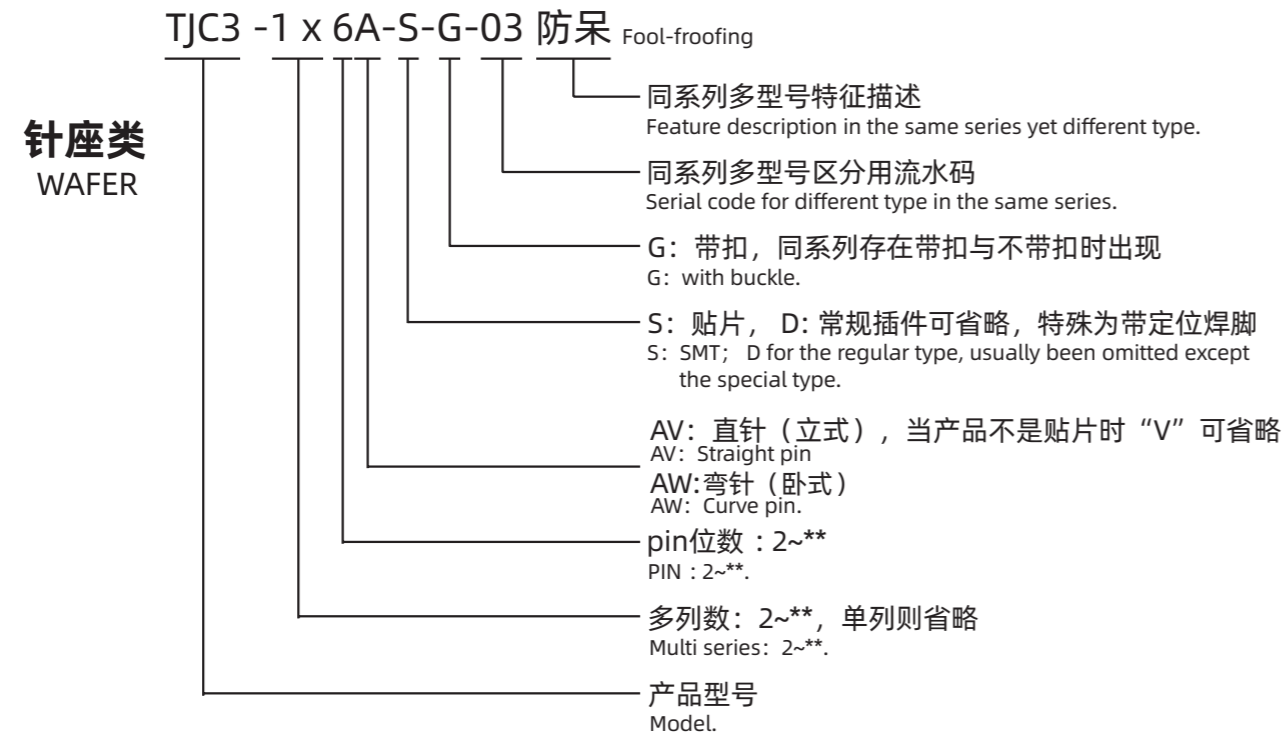
Series

3965	78
4201	79
5002	80
5003	80
5264	81
6001	82
6501	82
6701	83
7701	84
8601	84
BH	85
VH	86-87
VHB	88
VHC	88
VHE	89
VHK	89
VHR	90
YL	91
双触点两孔 (2 pin with double contacts)	91
DF-250	91
3.0塑胶柱 (Plastic Column)	92
6.3电源压线扣 (Power cord buckle)	92
强电端子 (Strong current terminal)	93
线扣端子 (line buckle)	93-94
铝端子 (Aluminum terminal)	94
叉型端子 (Fork-shaped terminal)	94
公母连体带弹 (Male and female connected terminal)	95
U型插片 (U-shaped terminal)	95
5.3-1端子 (Terminal)	95

Series

9.0插片 (Tab)	95
110端子 (Terminal)	96
187端子 (Terminal)	97
187插片 (Tab)	97-98
205端子 (Terminal)	98
250端子 (Terminal)	99
250插片 (Tab)	100-101
SIN	101-102
H1802-TA	13
A920排状铜扣 (Copper buckle in rows)	103
A3101	103
CP	104
JXZH	105
YX1.5T	105
0.76-T	105
1.12-T	105
圆环端子 (Ring-shaped terminal)	106
4.3太阳止滑端子 (Anti-slip terminal in Sun-shaped)	106
4.6x8.2端子 (Terminal)	106
屏蔽罩 (Shielding cover)	107
子弹 (Bullet-like terminal)	107
SCS	108

料号说明 Description item number



1002 Series

技术参数 Main specifications

规格单位 Specifications unit: mm

额定电流 Current rating: 1A AC/DC

额定电压 Voltage rating: 50V AC/DC

适用温度 Temperature range: -25 °C to +85 °C

接触电阻 Contact resistance: 20 mΩ max

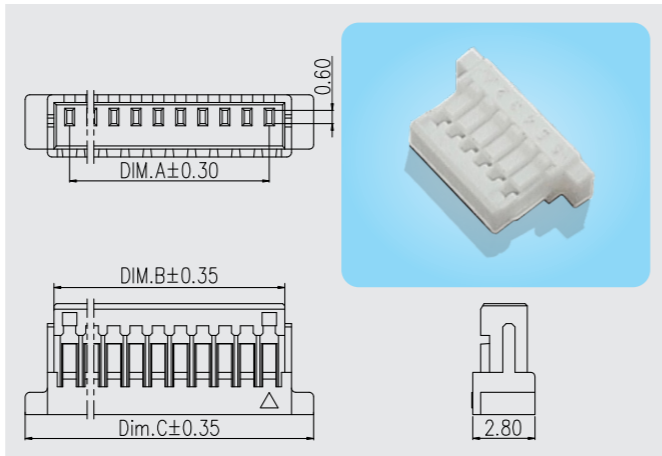
绝缘电阻 Insulation resistance: 100 MΩ min

耐电压 Withstanding voltage: 500 VAC/minute

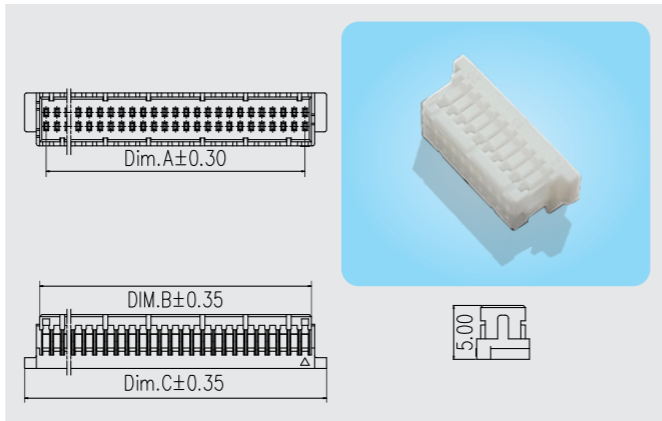
孔座 Housing

Pin	尺寸 Size(mm)		
	Dim.A	Dim.B	Dim.C
15	14.00	15.40	18.00
14	13.00	14.40	17.00
13	12.00	13.40	16.00
12	11.00	12.40	15.00
11	10.00	11.40	14.00
10	9.00	10.40	13.00
9	8.00	9.40	12.00
8	7.00	8.40	11.00
7	6.00	7.40	10.00
6	5.00	6.40	9.00
5	4.00	5.40	8.00
4	3.00	4.40	7.00
3	2.00	3.40	6.00
2	1.00	2.40	5.00

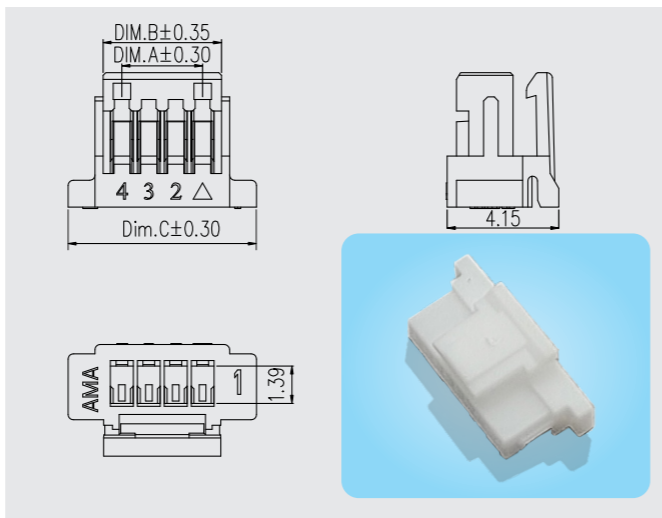
1002-nY



1002-2*nY



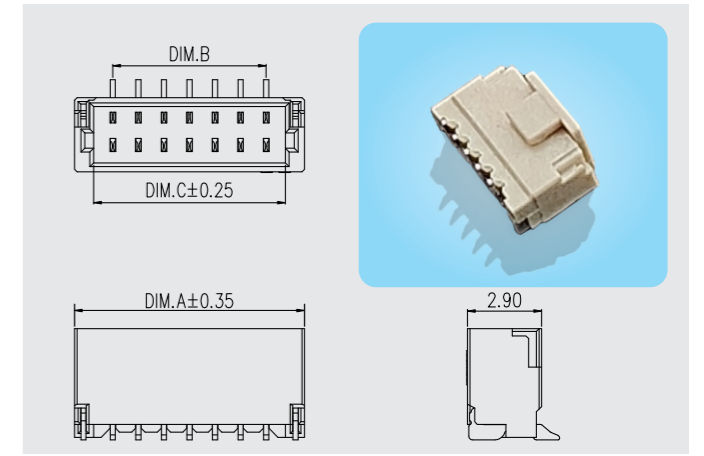
1002-nY-G



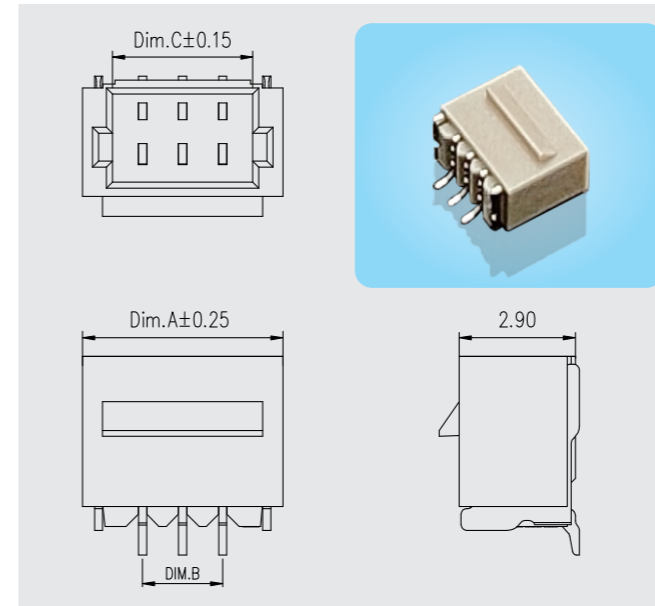
针座 Wafer

Pin	尺寸 Size(mm)		
	Dim.A	Dim.B	Dim.C
20	22.00	19.00	20.50
15	17.00	14.00	15.50
10	12.00	9.00	10.50
9	11.00	8.00	9.50
8	10.00	7.00	8.50
7	9.00	6.00	7.50
6	8.00	5.00	6.50
5	7.00	4.00	5.50
4	6.00	3.00	4.50
3	5.00	2.00	3.50
2	4.00	1.00	2.50

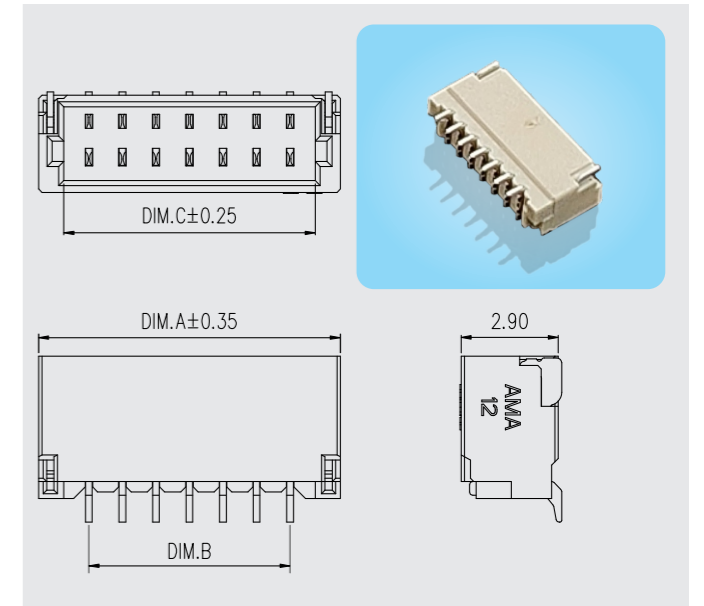
1002-nAV-S



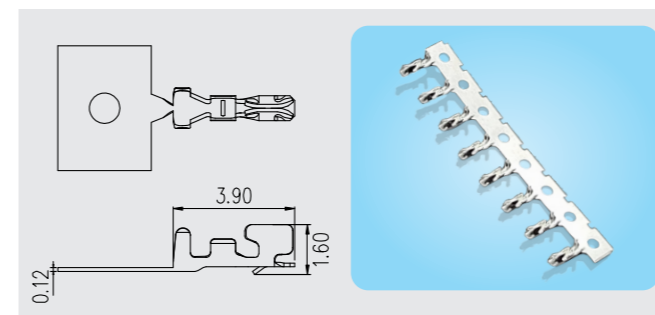
1002-nAW-G-S



1002-nAW-S



1002-T



1007 Series

技术参数 Main specifications

规格单位 Specifications unit: mm

额定电流 Current rating: 1A AC/DC

额定电压 Voltage rating: 125V AC/DC

适用温度 Temperature range: -25 °C to +85 °C

接触电阻 Contact resistance: 20 mΩ max

绝缘电阻 Insulation resistance: 100 MΩ min

耐电压 Withstanding voltage: 500 VAC/minute

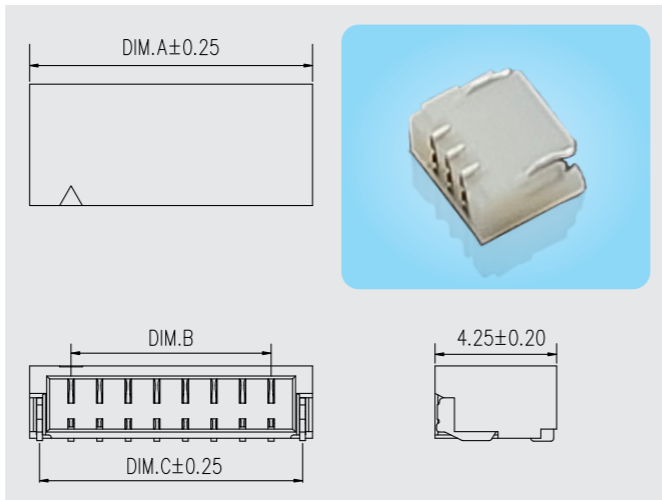
针座 Wafer

Pin	尺寸 Size(mm)		
	Dim.A	Dim.B	Dim.C
20	21.90	19.00	21.20
15	16.90	14.00	16.20
10	11.90	9.00	11.20
9	10.90	8.00	10.20
8	9.90	7.00	9.20
7	8.90	6.00	8.20
6	7.90	5.00	7.20
5	6.90	4.00	6.20
4	5.90	3.00	5.20
3	4.90	2.00	4.20
2	3.90	1.00	3.20

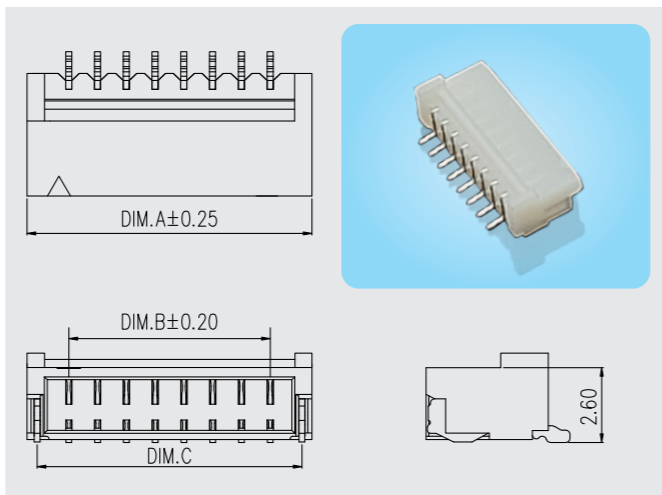
孔座 Housing

Pin	尺寸 Size(mm)		
	Dim.A	Dim.B	Dim.C
20	19.00	21.00	20.40
15	14.00	16.00	15.40
10	9.00	11.00	10.40
9	8.00	10.00	9.40
8	7.00	9.00	8.40
7	6.00	8.00	7.40
6	5.00	7.00	6.40
5	4.00	6.00	5.40
4	3.00	5.00	4.40
3	2.00	4.00	3.40
2	1.00	3.00	2.40

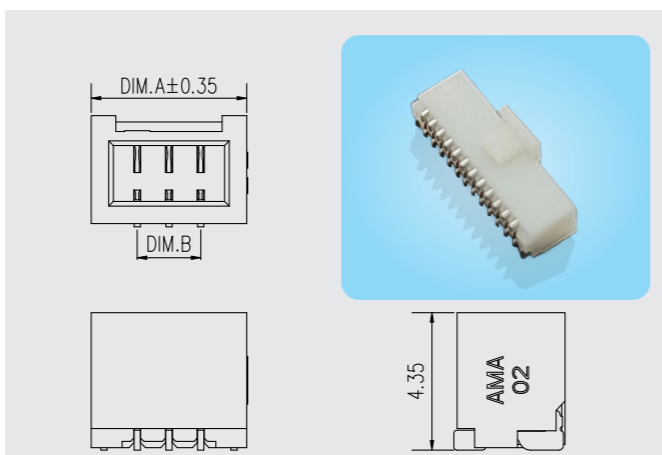
1007-nAW-S



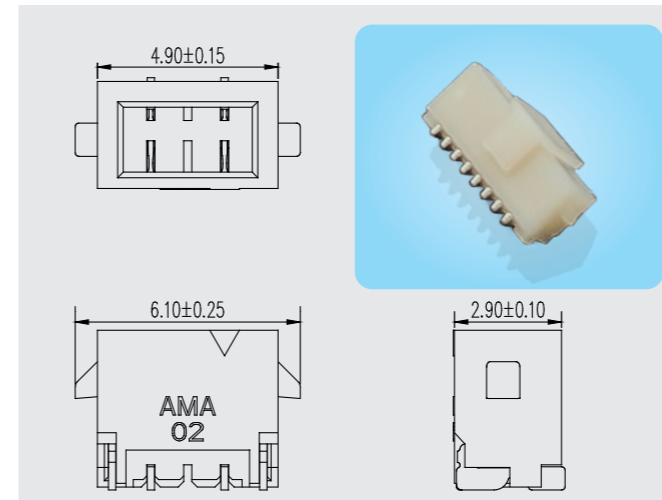
1007-nAW-G-S



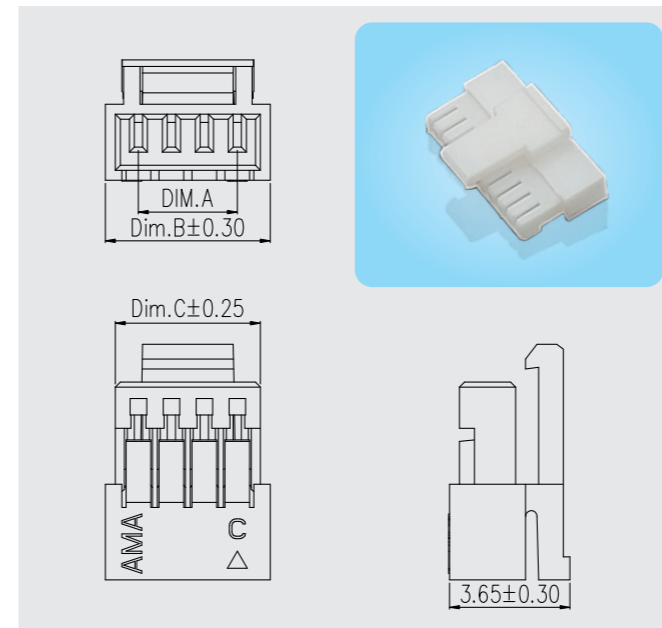
1007-nAV-G-S



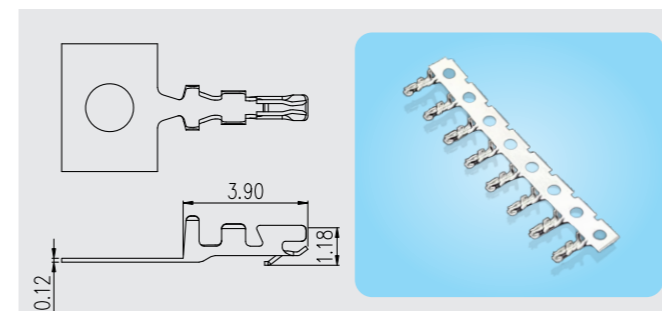
1007-nAV-G-S-02



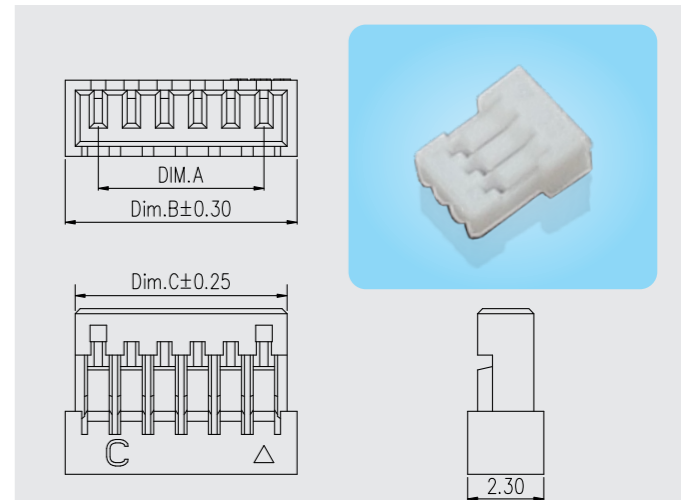
1007-nY-G



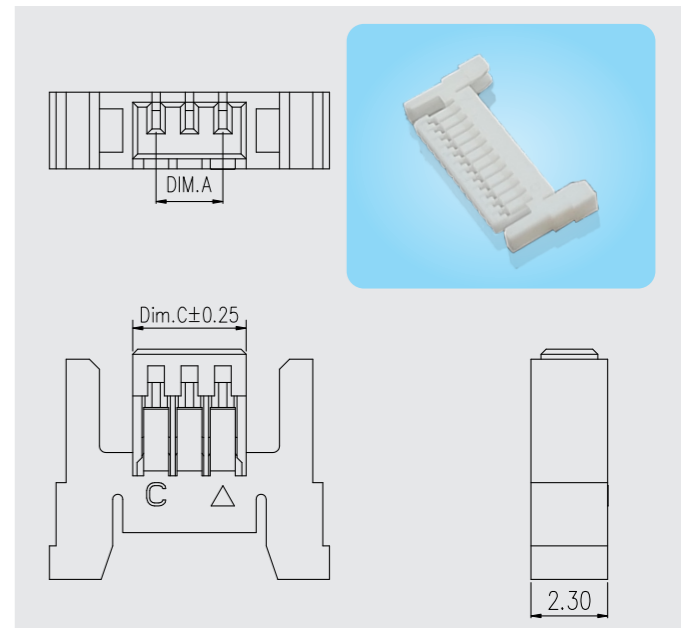
1007-T



1007-nY



1007-nY-G-02



1010 Series

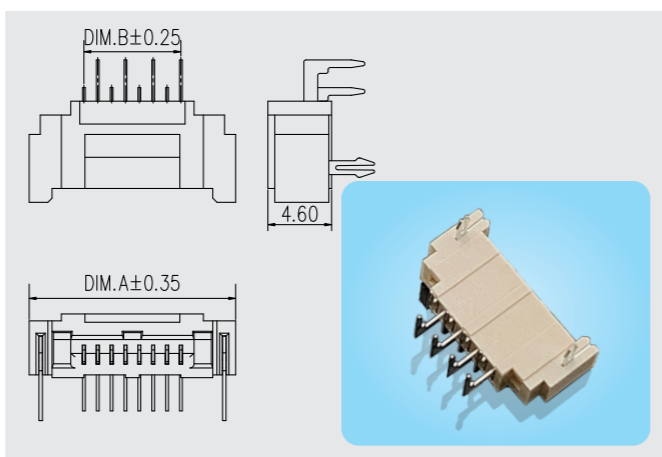
技术参数 Main specifications

- 规格单位 Specifications unit: mm
- 额定电流 Current rating: 1A AC/DC
- 额定电压 Voltage rating: 150V AC/DC
- 适用温度 Temperature range: -25 °C to +85 °C
- 接触电阻 Contact resistance: 50 mΩ max
- 绝缘电阻 Insulation resistance: 500 MΩ min
- 耐电压 Withstanding voltage: 500 VAC/minute

针座 Wafer

Pin	尺寸 Size(mm)	
	Dim.A	Dim.B
8	14.90	7.00

1010-nAW-D

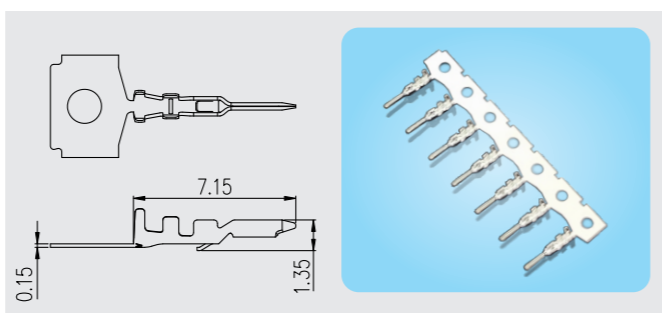


1251 Series

技术参数 Main specifications

- 规格单位 Specifications unit: mm
- 额定电流 Current rating: 1A AC/DC
- 额定电压 Voltage rating: 125V AC/DC
- 适用温度 Temperature range: -25 °C to +85 °C
- 接触电阻 Contact resistance: 20 mΩ max
- 绝缘电阻 Insulation resistance: 100 MΩ min
- 耐电压 Withstanding voltage: 250 VAC/minute

C1251-T



孔座 Housing

Pin	尺寸 Size(mm)		
	Dim.A	Dim.B	Dim.C
13	18.00	16.70	15.00
12	16.75	15.45	13.75
11	15.50	14.20	12.50
10	14.25	12.95	11.25
9	13.00	11.70	10.00
8	11.75	10.45	8.75
7	10.50	9.20	7.50
6	9.25	7.95	6.25
5	8.00	6.70	5.00
4	6.75	5.45	3.75
3	5.50	4.20	2.50
2	4.25	2.95	1.25

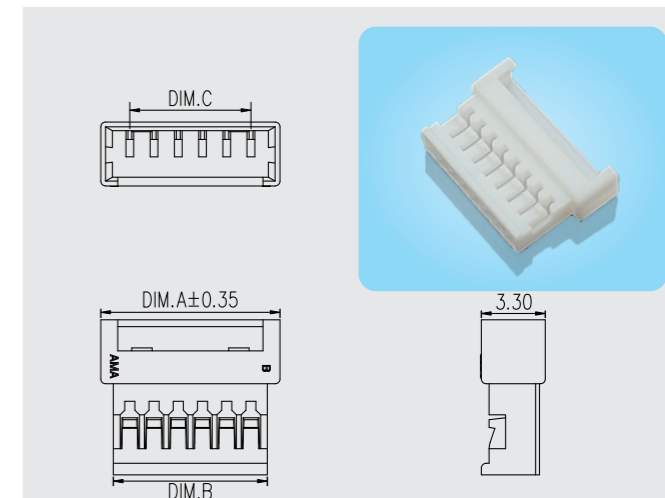
孔座 Housing

Pin	尺寸 Size(mm)		
	Dim.A	Dim.B	Dim.C
15	20.50	17.50	19.25
14	19.25	16.25	18.00
13	18.00	15.00	16.75
12	16.75	13.75	15.50
11	15.50	12.50	14.25
10	14.25	11.25	13.00
9	13.00	10.00	11.75
8	11.75	8.75	10.50
7	10.50	7.50	9.25
6	9.25	6.25	8.00
5	8.00	5.00	6.75
4	6.75	3.75	5.50
3	5.50	2.50	4.25
2	4.25	1.25	3.00

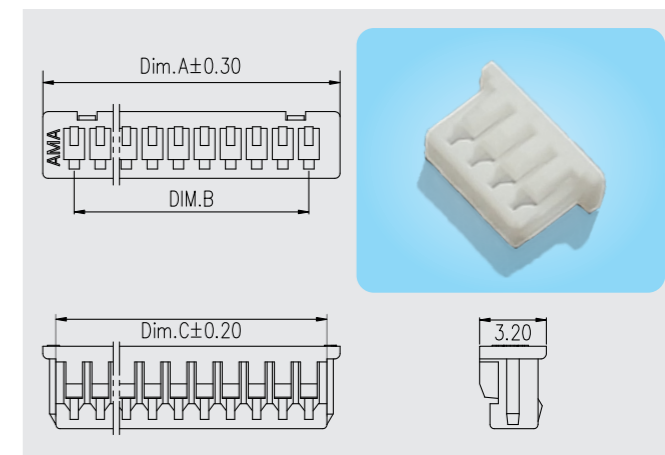
针座 Wafer

Pin	尺寸 Size(mm)		Pin	尺寸 Size(mm)	
	Dim.A	Dim.B		Dim.A	Dim.B
15	23.50	17.50	8	14.70	8.75
14	22.25	16.25	7	13.50	7.50
13	21.00	15.00	6	12.25	6.25
12	19.75	13.75	5	11.00	5.00
11	18.50	12.50	4	9.75	3.75
10	17.25	11.25	3	8.50	2.50
9	16.00	10.00	2	7.25	1.25

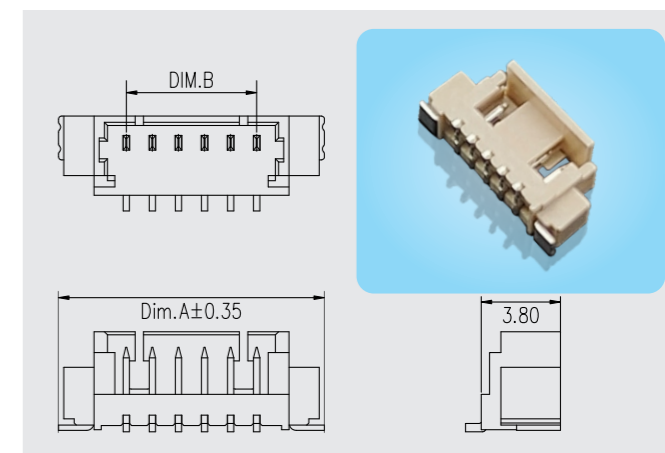
C1251-nY



1251-nY

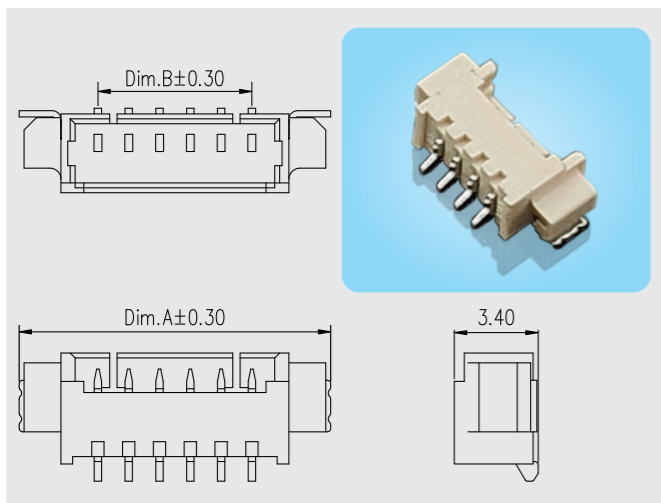


1251-nAV-S



1251 Series

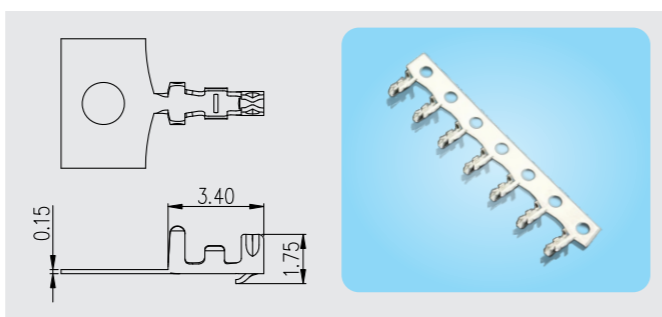
1251-nAW-S



针座 Wafer

Pin	尺寸Size(mm)		Pin	尺寸Size(mm)	
	Dim.A	Dim.B		Dim.A	Dim.B
15	24.00	17.50	8	15.25	8.75
14	22.75	16.25	7	14.00	7.50
13	21.50	15.00	6	12.75	6.25
12	20.25	13.75	5	11.50	5.00
11	19.00	12.50	4	10.25	3.75
10	17.75	11.25	3	9.00	2.50
9	16.50	10.00	2	7.75	1.25

1251-T



1254 Series

技术参数 Main specifications

规格单位 Specifications unit: mm

额定电流 Current rating: 1A AC/DC

额定电压 Voltage rating: 125V AC/DC

适用温度 Temperature range: -25 °C to +85 °C

接触电阻 Contact resistance: 20 mΩ max

绝缘电阻 Insulation resistance: 100 MΩ min

耐电压 Withstanding voltage: 500 VAC/minute

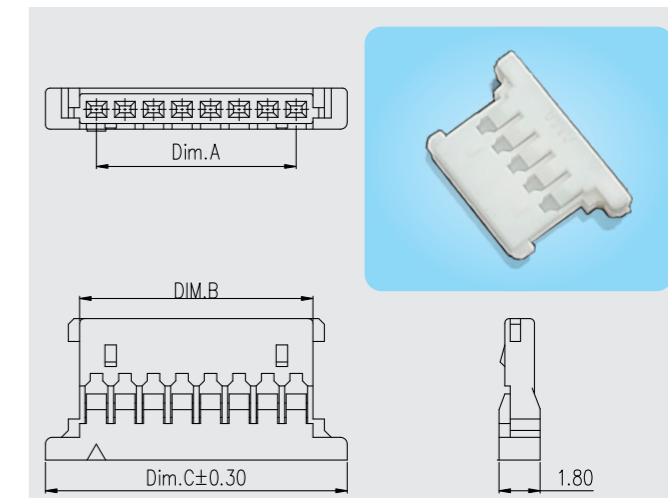
孔座 Housing

Pin	尺寸Size(mm)		
	Dim.A	Dim.B	Dim.C
15	17.50	18.97	21.97
10	11.25	12.72	15.72
9	10.00	11.47	14.47
8	8.75	10.22	13.22
7	7.50	8.97	11.97
6	6.25	7.72	10.72
5	5.00	6.47	9.47
4	3.75	5.22	8.22
3	2.50	3.97	6.97
2	1.25	2.72	5.72

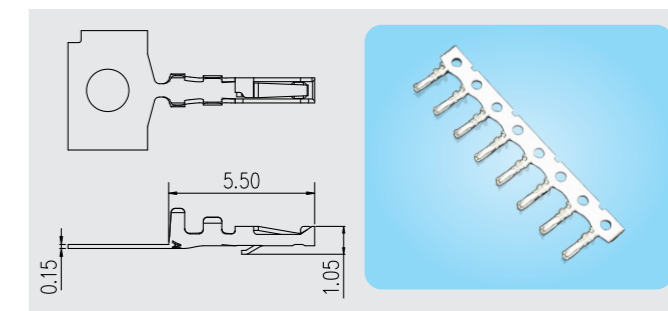
针座 Wafer

Pin	尺寸Size(mm)	
	Dim.A	Dim.B
15	17.50	24.32
10	11.25	18.07
9	10.00	16.82
8	8.75	15.57
7	7.50	14.32
6	6.25	13.07
5	5.00	11.82
4	3.75	10.57
3	2.50	9.32
2	1.25	8.07

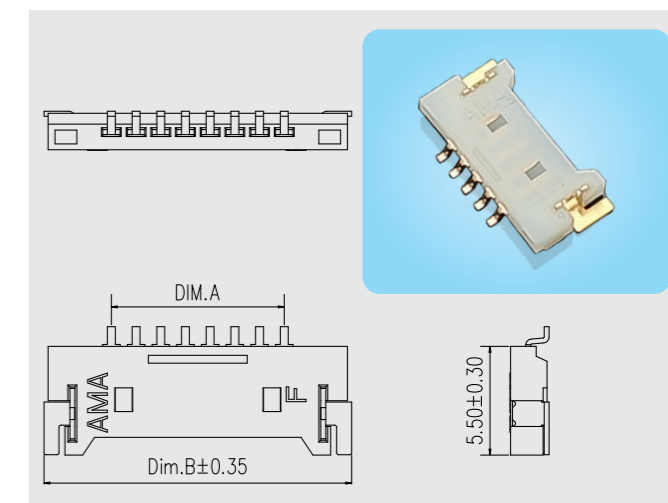
1254-nY



1254-T



1254-nAW-S



1255 Series

技术参数 Main specifications

规格单位 Specifications unit: mm

额定电流 Current rating: 1A AC/DC

额定电压 Voltage rating: 150V AC/DC

适用温度 Temperature range: -25 °C to +85 °C

接触电阻 Contact resistance: 30 mΩ max

绝缘电阻 Insulation resistance: 500 MΩ min

耐电压 Withstanding voltage: 500 VAC/minute

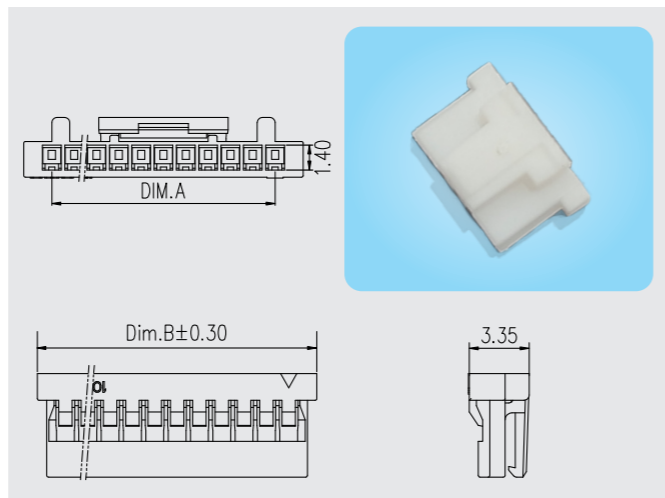
孔座 Housing

Pin	尺寸 Size(mm)	
	Dim.A	Dim.B
15	17.50	20.65
14	16.25	19.40
13	15.00	18.15
12	13.75	16.90
11	12.50	15.65
10	11.25	14.40
9	10.00	13.15
8	8.75	11.90
7	7.50	10.65
6	6.25	9.40
5	5.00	8.15
4	3.75	6.90
3	2.50	5.65
2	1.25	4.40

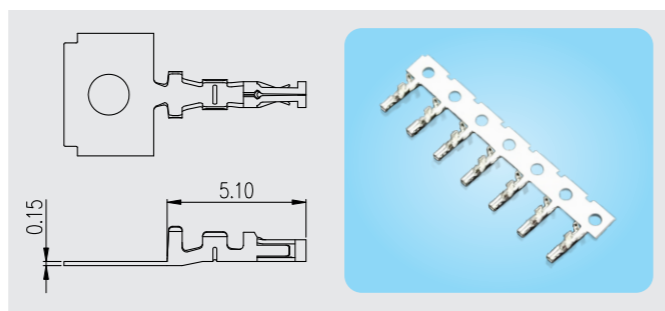
针座 Wafer

Pin	尺寸 Size(mm)	
	Dim.A	Dim.B
15	23.65	17.50
14	22.40	16.25
13	21.15	15.00
12	19.90	13.75
11	18.65	12.50
10	17.40	11.25
9	16.15	10.00
8	14.90	8.75
7	13.65	7.50
6	12.40	6.25
5	11.15	5.00
4	9.90	3.75
3	8.65	2.50
2	7.40	1.25

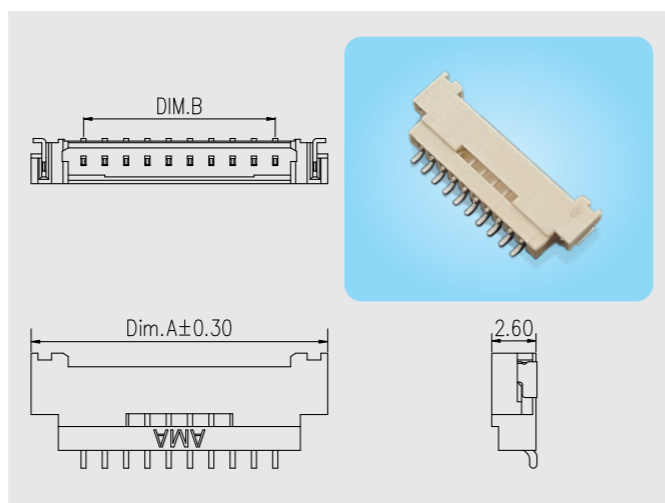
1255-nY-G



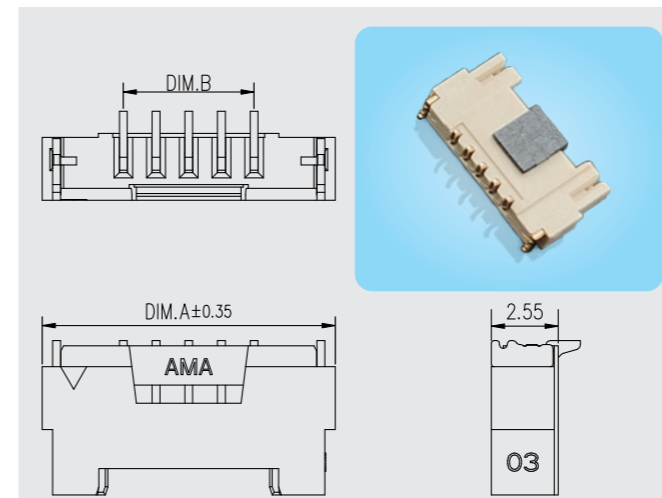
1256-T



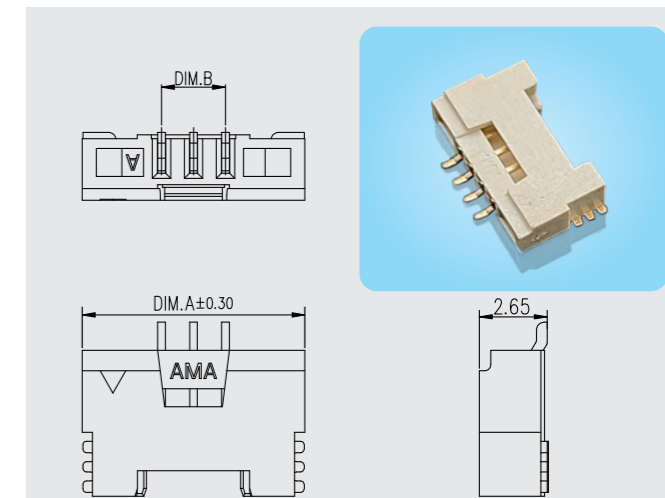
1255-nAW-S



1255-nAV-S



1255-nAW-S-A



1257 Series

技术参数 Main specifications

规格单位 Specifications unit: mm

额定电流 Current rating: 1A AC/DC

额定电压 Voltage rating: 50V AC/DC

适用温度 Temperature range: -25 °C to +85 °C

接触电阻 Contact resistance: 20 mΩ max

绝缘电阻 Insulation resistance: 500 MΩ min

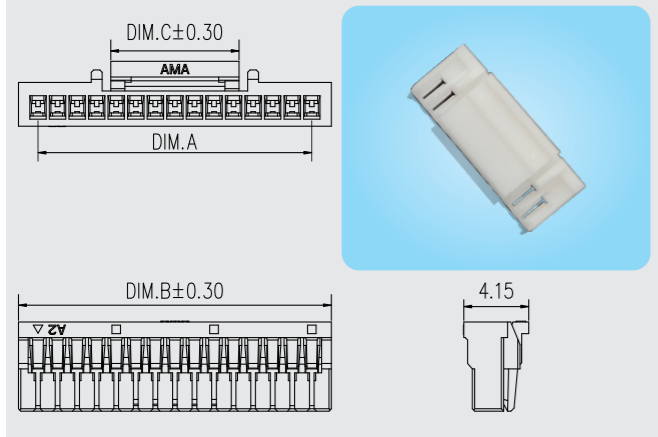
耐电压 Withstanding voltage: 500 VAC/minute

孔座 Housing

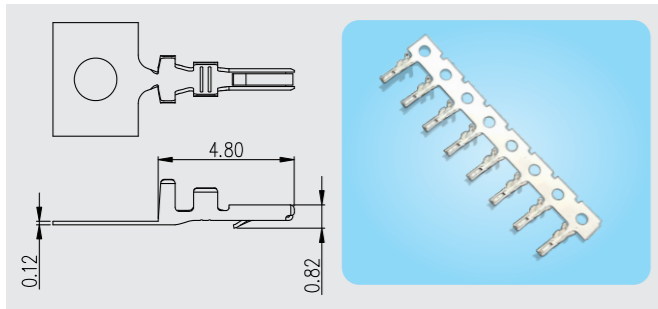
Pin	尺寸 Size(mm)		
	Dim.A	Dim.B	Dim.C
20	23.75	26.25	8.20
18	21.50	23.75	8.20
15	17.50	20.00	8.20
14	16.25	18.75	8.20
13	15.00	17.50	8.20
12	13.75	16.25	8.20
11	12.50	15.00	8.20
10	11.25	13.75	8.20
9	10.00	12.50	6.25
8	8.75	11.25	6.25
7	7.50	10.00	6.25
6	6.25	8.75	6.25
5	5.00	7.50	4.25
4	3.75	6.25	4.25
3	2.50	5.00	3.20
2	1.25	3.75	2.00

1257 Series

1257-nY



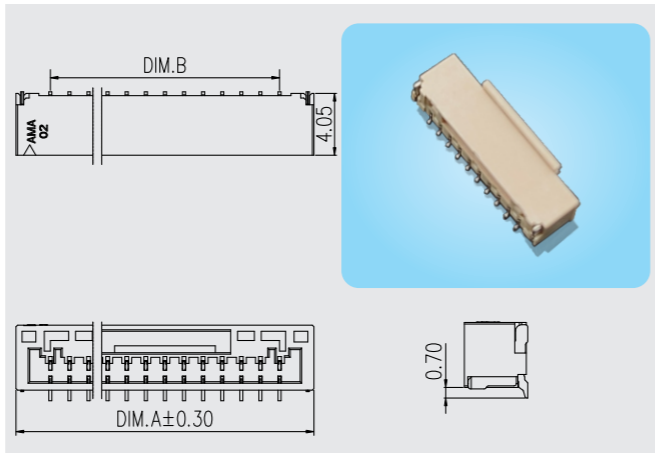
1257-T



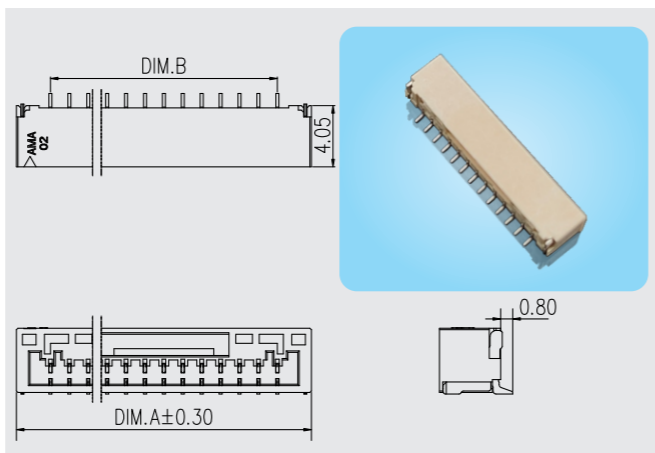
针座 Wafer

Pin	尺寸Size(mm)		Pin	尺寸Size(mm)	
	Dim.A	Dim.B		Dim.A	Dim.B
15	22.00	17.50	8	13.25	8.75
14	20.75	16.25	7	12.00	7.50
13	19.50	15.00	6	10.75	6.25
12	18.25	13.75	5	9.50	5.00
11	17.00	12.50	4	8.25	3.75
10	15.75	11.25	3	7.00	2.50
9	14.50	10.00	2	5.75	1.25

1257-nAV-S-02



1257-nAW-S-02



1259 Series

技术参数 Main specifications

规格单位 Specifications unit: mm

额定电流 Current rating: 1.5A AC/DC

额定电压 Voltage rating: 200V AC/DC

适用温度 Temperature range: -25 °C to +85 °C

接触电阻 Contact resistance: 20 mΩ max

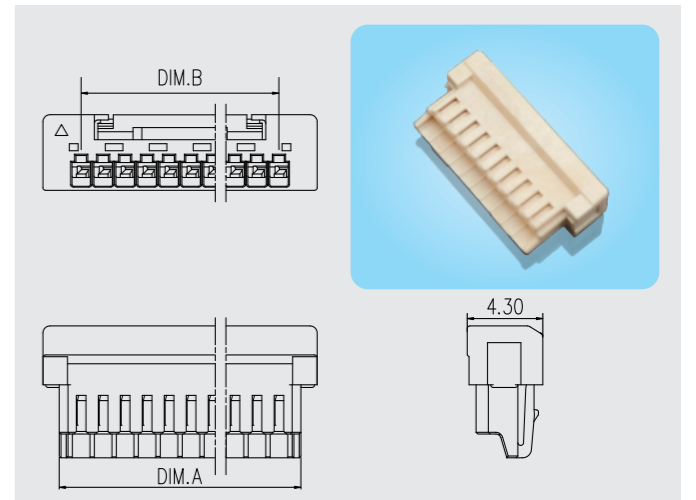
绝缘电阻 Insulation resistance: 1000 MΩ min

耐电压 Withstanding voltage: 1000 VAC/minute

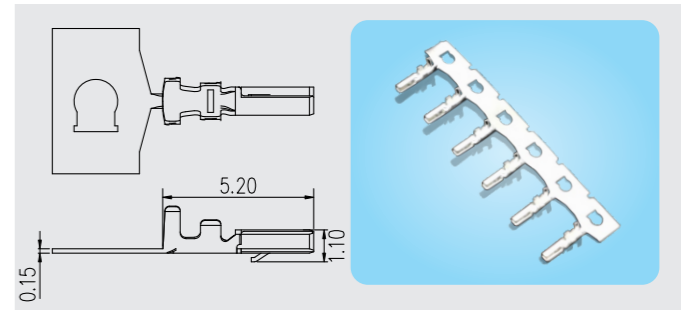
孔座 Housing

Pin	尺寸Size(mm)	
	Dim.A	Dim.B
20	26.25	23.75
10	13.75	11.25

1259-nY-G



1258-T



1501 Series

技术参数 Main specifications

规格单位 Specifications unit: mm

额定电流 Current rating: 1A AC/DC

额定电压 Voltage rating: 50V AC/DC

适用温度 Temperature range: -25 °C to +85 °C

接触电阻 Contact resistance: 30 mΩ max

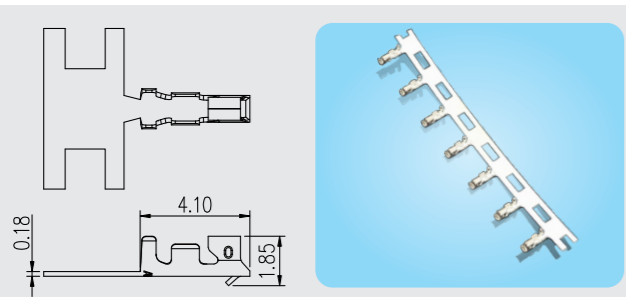
绝缘电阻 Insulation resistance: 500 MΩ min

耐电压 Withstanding voltage: 500 VAC/minute

针座 Wafer

Pin	尺寸 Size(mm)		
	Dim.A	Dim.B	Dim.C
15	25.50	21.00	23.10
14	24.00	19.50	21.60
13	22.50	18.00	20.10
12	21.00	16.50	18.60
11	19.50	15.00	17.10
10	18.00	13.50	15.60
9	16.50	12.00	14.10
8	15.00	10.50	12.60
7	13.50	9.00	11.10
6	12.00	7.50	9.60
5	10.50	6.00	8.10
4	9.00	4.50	6.60
3	7.50	3.00	5.10
2	6.00	1.50	3.60

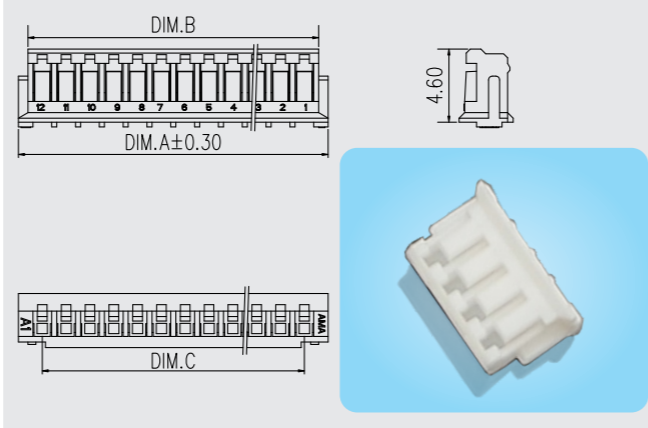
1501-T



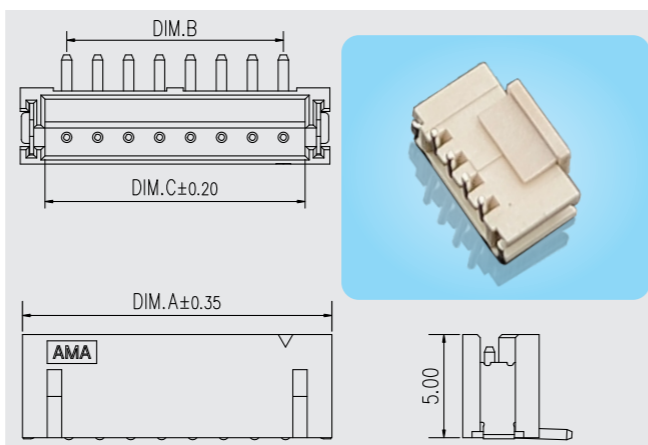
孔座 Housing

Pin	尺寸 Size(mm)		
	Dim.A	Dim.B	Dim.C
15	24.00	22.80	20.00
14	22.50	21.30	19.50
13	21.00	19.80	18.00
12	19.50	18.30	16.50
11	18.00	16.80	15.00
10	16.50	15.30	13.50
9	15.00	13.80	12.00
8	13.50	12.30	10.50
7	12.00	10.80	9.00
6	10.50	9.30	7.50
5	9.00	7.80	6.00
4	7.50	6.30	4.50
3	6.00	4.80	3.00
2	4.50	3.30	1.50

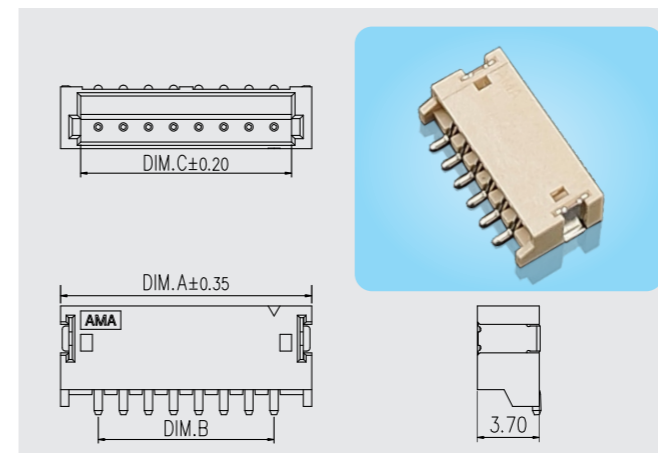
1501-nY



1501-nAV-S



1501-nAW-S



1502 Series

技术参数 Main specifications

规格单位 Specifications unit: mm

额定电流 Current rating: 1A AC/DC

额定电压 Voltage rating: 125V AC/DC

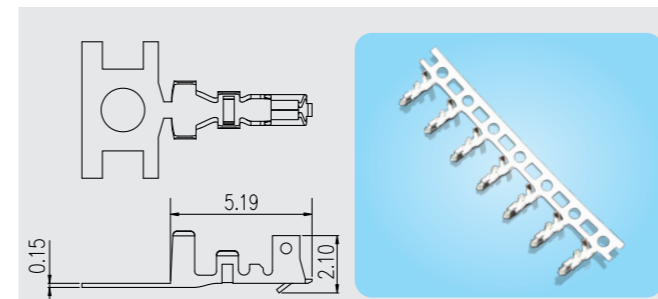
适用温度 Temperature range: -25 °C to +85 °C

接触电阻 Contact resistance: 40 mΩ max

绝缘电阻 Insulation resistance: 100 MΩ min

耐电压 Withstanding voltage: 500 VAC/minute

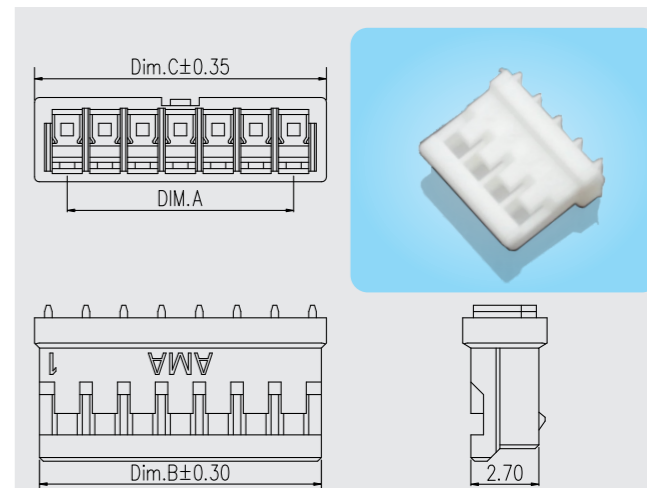
1502-T



孔座 Housing

Pin	尺寸 Size(mm)		
	Dim.A	Dim.B	Dim.C
15	21.00	23.20	23.60
14	19.50	21.70	22.10
13	18.00	20.20	20.60
12	16.50	18.70	19.10
11	15.00	17.20	17.60
10	13.50	15.70	16.10
9	12.00	14.20	14.60
8	10.50	12.70	13.10
7	9.00	11.20	11.60
6	7.50	9.70	10.10
5	6.00	8.20	8.60
4	4.50	6.70	7.10
3	3.00	5.20	5.60
2	1.50	3.70	4.10

1502-nY



1508 Series

技术参数 Main specifications

规格单位 Specifications unit: mm

额定电流 Current rating: 0.75 AC/DC

额定电压 Voltage rating: 125V AC/DC

适用温度 Temperature range: -25 °C to +85 °C

接触电阻 Contact resistance: 30 mΩ max

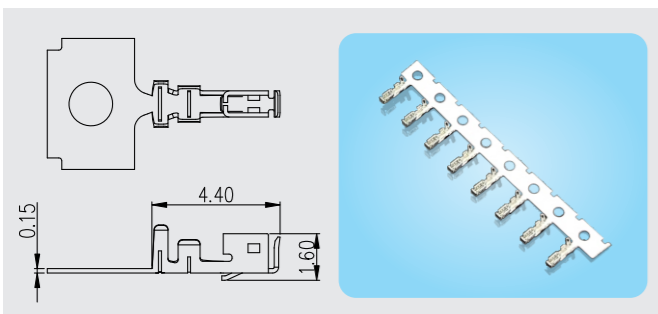
绝缘电阻 Insulation resistance: 1000 MΩ min

耐电压 Withstanding voltage: 1000 VAC/minute

针座 Wafer

Pin	尺寸 Size(mm)		
	Dim.A	Dim.B	Dim.C
5	11.30	6.00	9.90
4	9.80	4.50	8.40
3	8.30	3.00	6.90

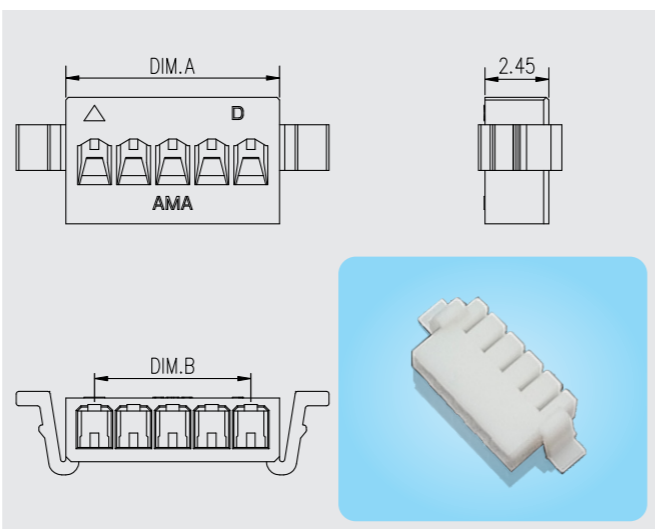
5001-T



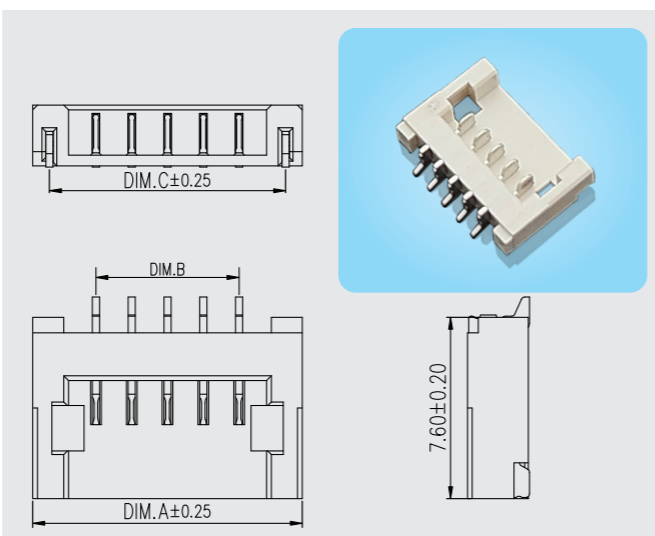
孔座 Housing

Pin	尺寸 Size(mm)	
	Dim.A	Dim.B
5	8.20	6.00
3	5.20	3.00

1508-nY-G



1508-nAW-G-S



1510 Series

技术参数 Main specifications

规格单位 Specifications unit: mm

额定电流 Current rating: 1A AC/DC

额定电压 Voltage rating: 125V AC/DC

适用温度 Temperature range: -25 °C to +85 °C

接触电阻 Contact resistance: 30 mΩ max

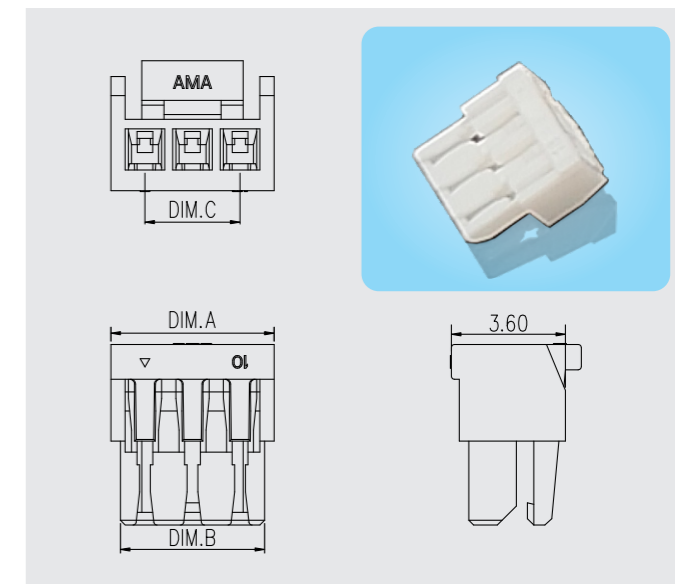
绝缘电阻 Insulation resistance: 1000 MΩ min

耐电压 Withstanding voltage: 1000 VAC/minute

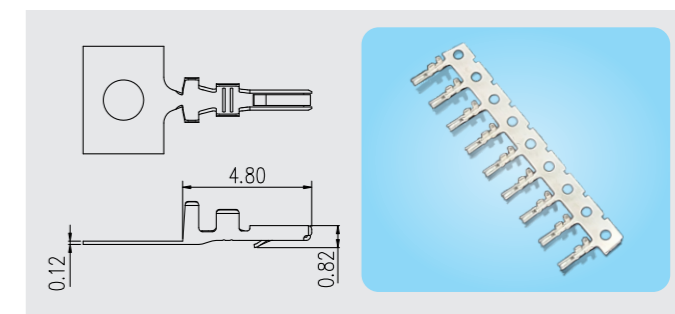
孔座 Housing

Pin	尺寸 Size(mm)		
	Dim.A	Dim.B	Dim.C
3	5.15	4.55	3.00
2	3.65	3.05	1.50

1510-nY



1257-T

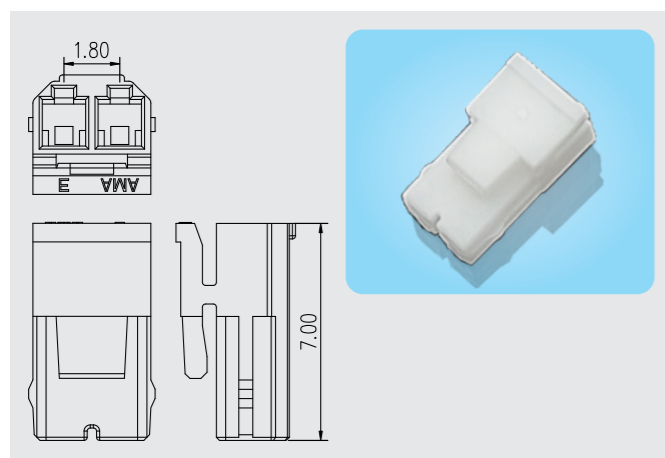


1802 Series

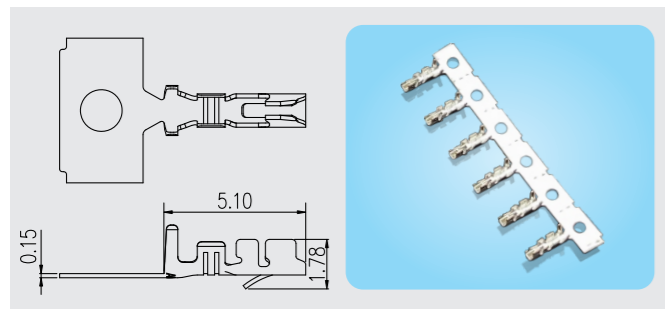
技术参数 Main specifications

规格单位 Specifications unit: mm
 额定电流 Current rating: 2A AC/DC
 额定电压 Voltage rating: 125 AC/DC
 适用温度 Temperature range: -25 °C to +85 °C
 接触电阻 Contact resistance: 20 mΩ max
 绝缘电阻 Insulation resistance: 1000 MΩ min
 耐电压 Withstanding voltage: 800 VAC/minute

1802-nY



1802-T



12510 Series

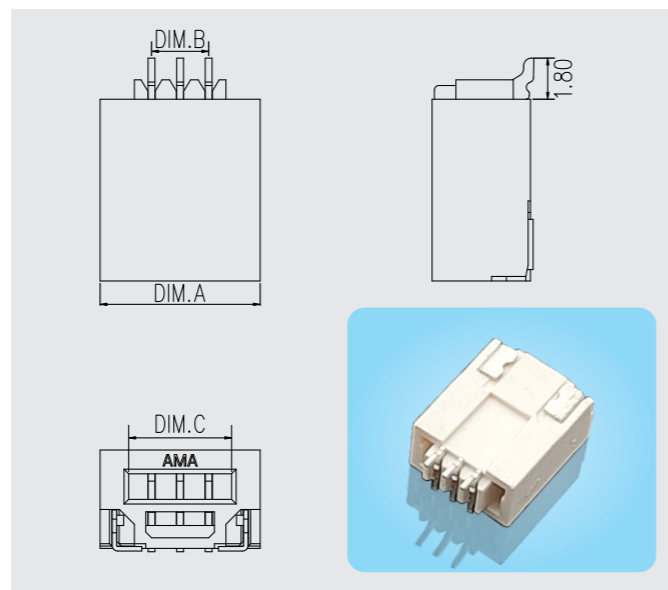
技术参数 Main specifications

规格单位 Specifications unit: mm
 额定电流 Current rating: 1.2A AC/DC
 额定电压 Voltage rating: 250V AC/DC
 适用温度 Temperature range: -25 °C to +85 °C
 接触电阻 Contact resistance: 50 mΩ max
 绝缘电阻 Insulation resistance: 100 mΩ min
 耐电压 Withstanding voltage: 1200 VAC/minute

针座 Wafer

Pin	尺寸 Size(mm)		
	Dim.A	Dim.B	Dim.C
7	12.00	7.50	9.50
3	7.00	2.50	4.50

12510-nAW-S



12514 Series

技术参数 Main specifications

规格单位 Specifications unit: mm
 额定电流 Current rating: 1A AC/DC
 额定电压 Voltage rating: 50V AC/DC
 适用温度 Temperature range: -25 °C to +85 °C
 接触电阻 Contact resistance: 30 mΩ max
 绝缘电阻 Insulation resistance: 100 MΩ min
 耐电压 Withstanding voltage: 500 VAC/minute

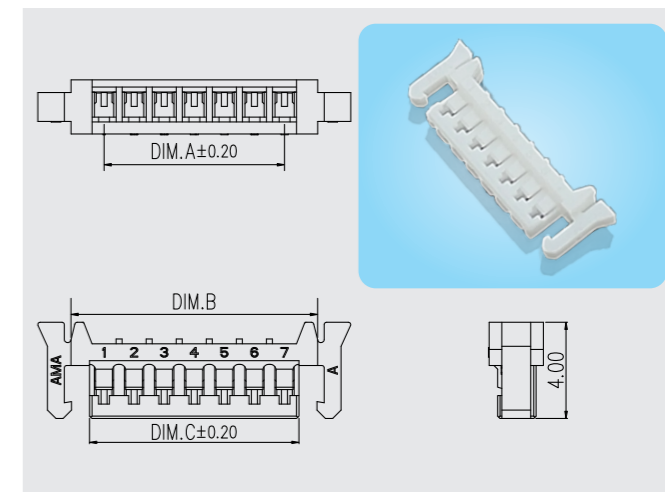
孔座 Housing

Pin	尺寸 Size(mm)		
	Dim.A	Dim.B	Dim.C
8	8.75	11.50	9.95
7	7.50	10.25	8.70
6	6.25	9.00	7.45
4	3.75	6.50	4.95
3	2.50	5.25	3.70
2	1.25	4.00	2.45

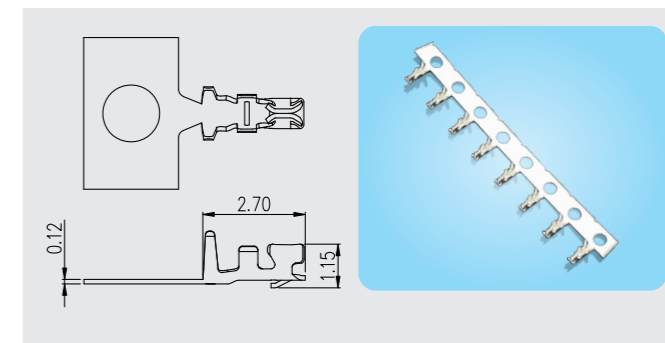
针座 Wafer

Pin	尺寸 Size(mm)	
	Dim.A	Dim.B
7	10.30	7.50
6	9.05	6.25
5	7.80	5.00
4	6.55	3.75
3	5.30	2.50

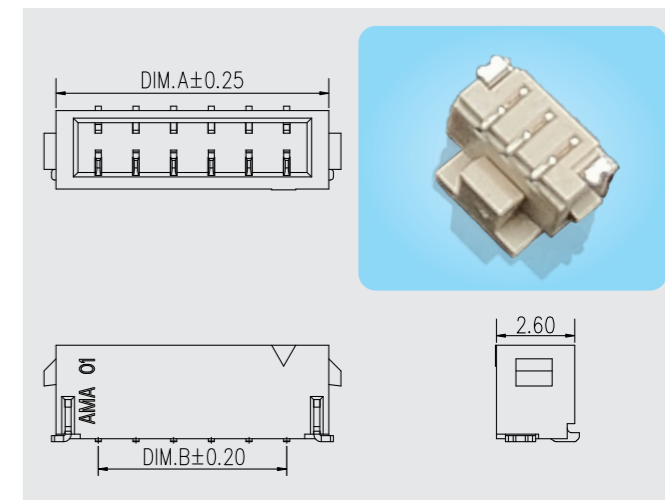
12511-nY-G



12511-T



12514-nAV-G-S



12512 Series

技术参数 Main specifications

规格单位 Specifications unit: mm

额定电流 Current rating: 1A AC/DC

额定电压 Voltage rating: 50V AC/DC

适用温度 Temperature range: -25 °C to +85 °C

接触电阻 Contact resistance: 20 mΩ max

绝缘电阻 Insulation resistance: 500 MΩ min

耐电压 Withstanding voltage: 500 VAC/minute

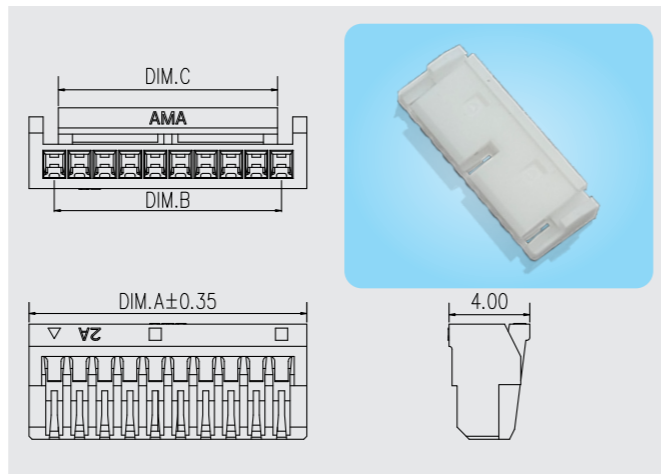
孔座 Housing

Pin	尺寸 Size(mm)		
	Dim.A	Dim.B	Dim.C
20	26.25	23.75	16.50
15	20.00	17.50	15.35
13	17.50	15.00	12.85
11	15.00	12.50	12.10
10	13.75	11.25	10.85
3	5.00	2.50	3.20

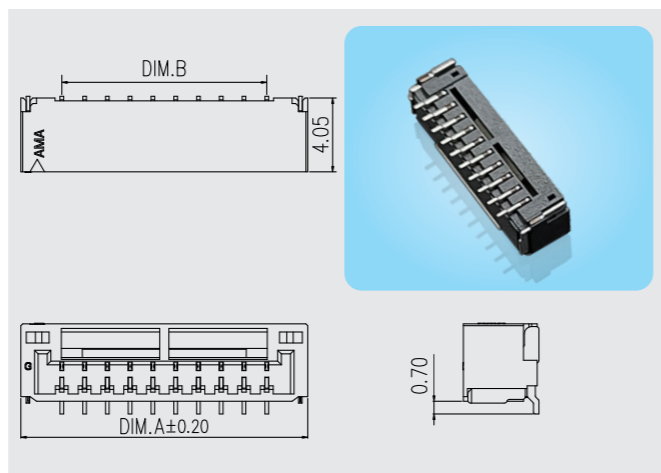
针座 Wafer

Pin	尺寸 Size(mm)	
	Dim.A	Dim.B
20	28.25	23.75
15	22.00	17.50
14	20.75	16.25
13	19.50	15.00
12	18.25	13.75
11	17.00	12.50
10	15.75	11.25
9	14.50	10.00
8	13.25	8.75
7	12.00	7.50
6	10.75	6.25
5	9.50	5.00
4	8.25	3.75
3	7.00	2.50
2	5.75	1.25

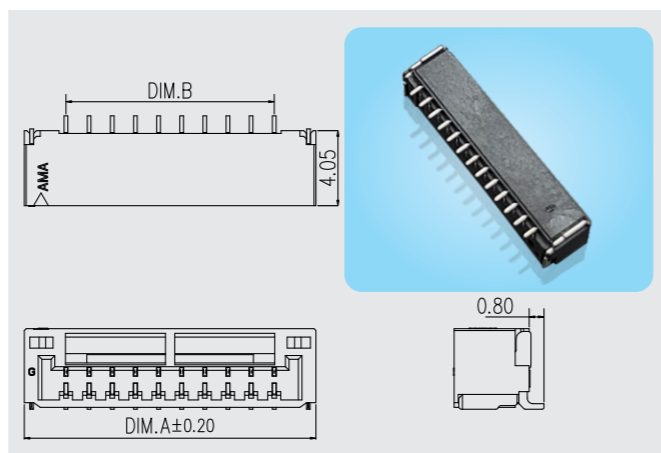
12512-nY-G



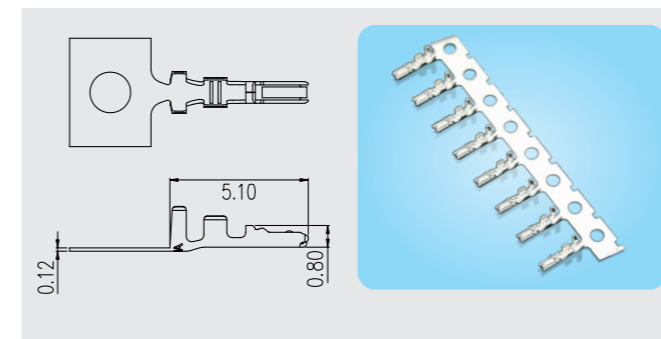
12512-nAV-G-S



12512-nAW-G-S



12512-T



12513 Series

技术参数 Main specifications

规格单位 Specifications unit: mm

额定电流 Current rating: 2A AC/DC

额定电压 Voltage rating: 125V AC/DC

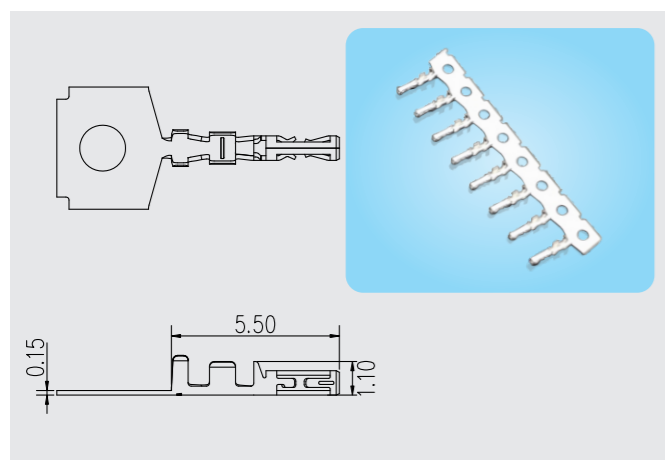
适用温度 Temperature range: -25 °C to +85 °C

接触电阻 Contact resistance: 30 mΩ max

绝缘电阻 Insulation resistance: 100 MΩ min

耐电压 Withstanding voltage: 500 VAC/minute

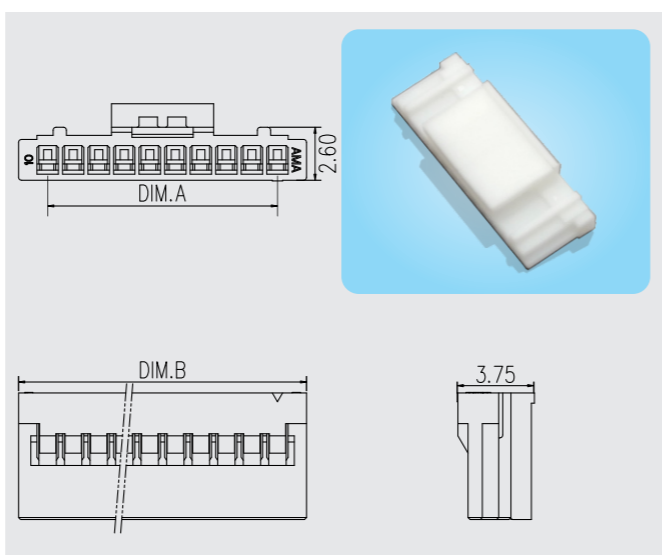
12513-T



孔座 Housing

Pin	尺寸 Size(mm)	
	Dim.A	Dim.B
18	21.25	24.10
17	20.00	22.85
16	18.75	21.60
15	17.50	20.35
14	16.25	19.10
13	15.00	17.85
12	13.75	16.60
11	12.50	15.35
10	11.25	14.10
9	10.00	12.85
8	8.75	11.60
7	7.50	10.35
6	6.25	9.10
5	5.00	7.85
4	3.75	6.60

12513-nY



2004 Series

技术参数 Main specifications

规格单位 Specifications unit: mm

额定电流 Current rating: 3A AC/DC

额定电压 Voltage rating: 250V AC/DC

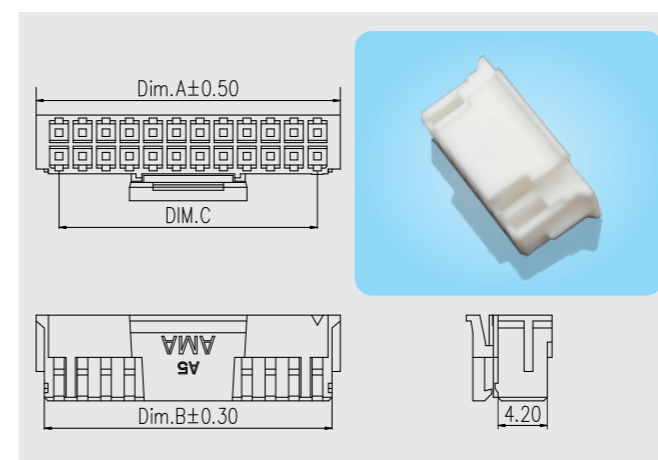
适用温度 Temperature range: -25 °C to +85 °C

接触电阻 Contact resistance: 20 mΩ max

绝缘电阻 Insulation resistance: 1000 MΩ min

耐电压 Withstanding voltage: 1000 VAC/minute

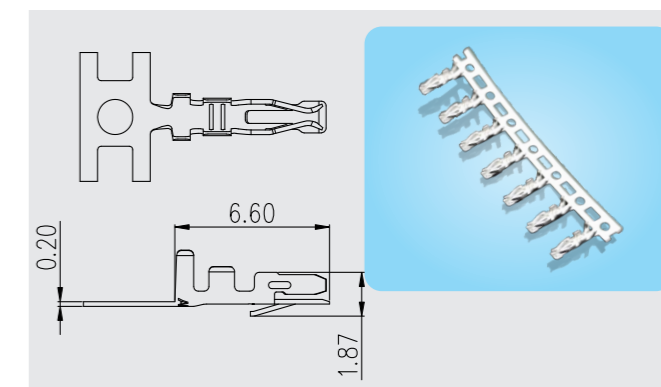
2004-2*nY



孔座 Housing

Pin	尺寸 Size(mm)		
	Dim.A	Dim.B	Dim.C
2X23	47.90	46.50	44.00
2X22	45.90	44.50	42.00
2X21	43.90	42.50	40.00
2X20	41.90	40.50	38.00
2X19	39.90	38.50	36.00
2X18	37.90	36.50	34.00
2X17	35.90	34.50	32.00
2X16	33.90	32.50	30.00
2X15	31.90	30.50	28.00
2X14	29.90	28.50	26.00
2X13	27.90	26.50	24.00
2X12	25.90	24.50	22.00
2X11	23.90	22.50	20.00
2X10	21.90	20.50	18.00
2X9	19.90	18.50	16.00
2X8	17.90	16.50	14.00
2X7	15.90	14.50	12.00
2X6	13.90	12.50	10.00
2X5	11.90	10.50	8.00
2X4	9.90	8.50	6.00
2X3	7.90	6.50	4.00

2004-T

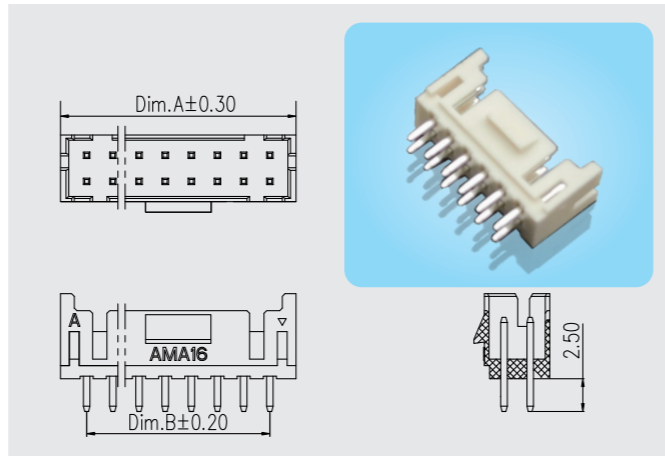


2004 Series

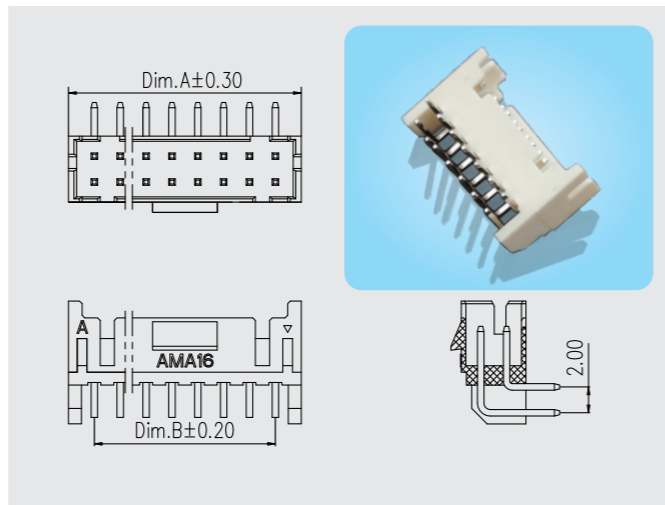
针座 Wafer

Pin	尺寸Size(mm)	
	Dim.A	Dim.B
2X25	51.90	48.00
2X24	49.90	46.00
2X23	47.90	44.00
2X22	45.90	42.00
2X21	43.90	40.00
2X20	41.90	38.00
2X19	39.90	36.00
2X18	37.90	34.00
2X17	35.90	32.00
2X16	33.90	30.00
2X15	31.90	28.00
2X14	29.90	26.00
2X13	27.90	24.00
2X12	25.90	22.00
2X11	23.90	20.00
2X10	21.90	18.00
2X9	19.90	16.00
2X8	17.90	14.00
2X7	15.90	12.00
2X6	13.90	10.00
2X5	11.90	8.00
2X4	9.90	6.00
2X3	7.90	4.00
2X2	5.90	2.00

2004-2*nA



2004-2*nAW



2006 Series

技术参数 Main specifications

规格单位 Specifications unit: mm

额定电流 Current rating: 3A AC/DC

额定电压 Voltage rating: 250V AC/DC

适用温度 Temperature range: -25 °C to +85 °C

接触电阻 Contact resistance: 20 mΩ max

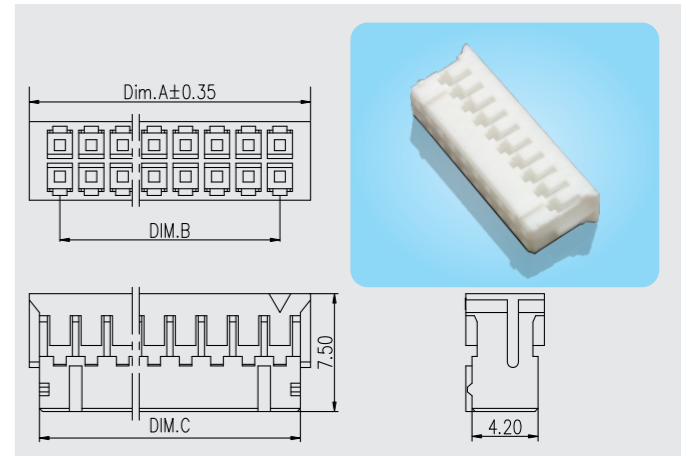
绝缘电阻 Insulation resistance: 1000 MΩ min

耐电压 Withstanding voltage: 800 VAC/minute

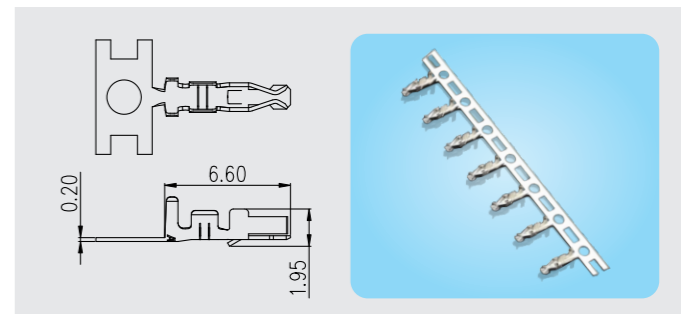
孔座 Housing

Pin	尺寸Size(mm)		
	Dim.A	Dim.B	Dim.C
2X25	51.90	48.00	50.60
2X20	41.90	38.00	40.60
2X15	31.90	28.00	30.60
2X14	29.90	26.00	28.60
2X13	27.90	24.00	26.60
2X12	25.90	22.00	24.60
2X11	23.90	20.00	22.60
2X10	21.90	18.00	20.60
2X9	19.90	16.00	18.60
2X8	17.90	14.00	16.60
2X7	15.90	12.00	14.60
2X6	13.90	10.00	12.60
2X5	11.90	8.00	10.60
2X4	9.90	6.00	8.60
2X3	7.90	4.00	6.60
2X2	5.90	2.00	4.60

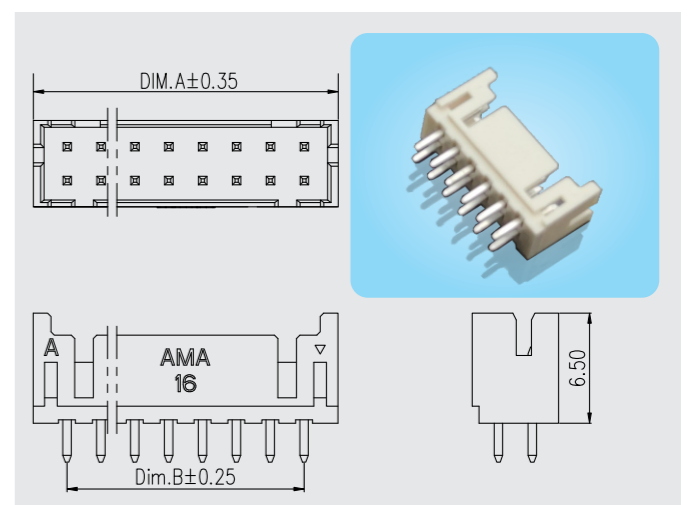
2006-2*nY



2006-T

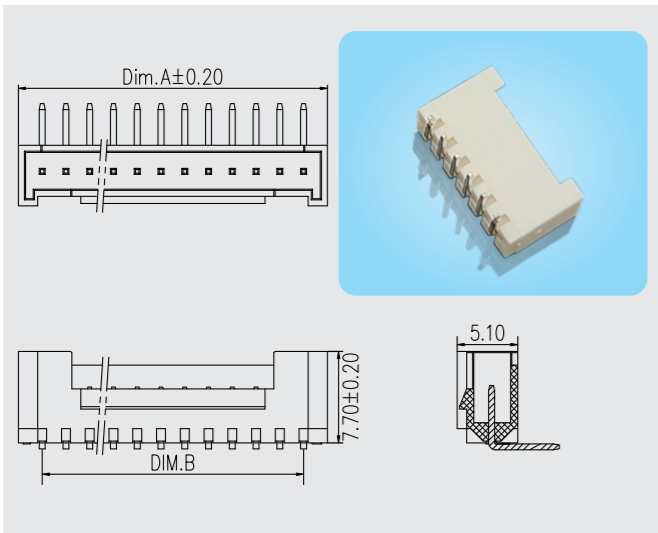


2006-2*nA

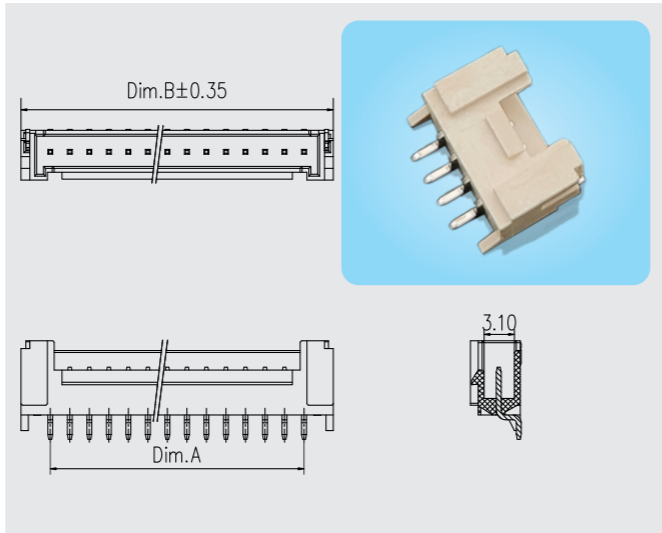


2008 Series

2008-nAW不带定位 (without positioning)



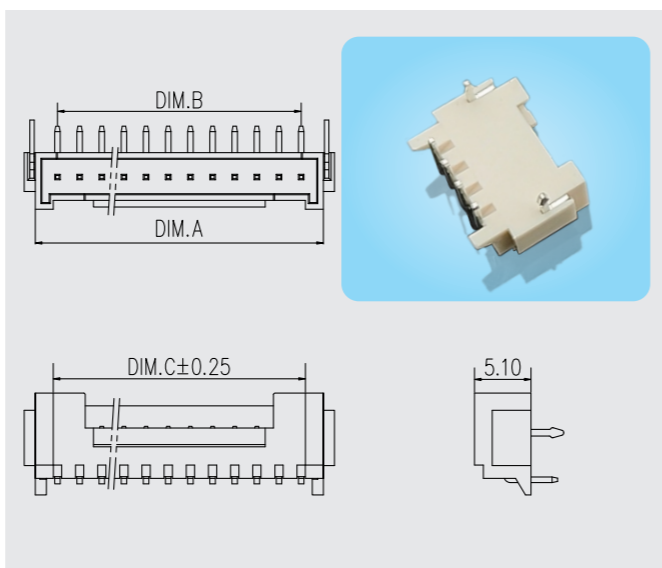
2008-nAW-S



针座 Wafer

Pin	尺寸Size(mm)		
	Dim.A	Dim.B	Dim.C
16	34.00	30.00	30.76
15	32.00	28.00	28.76
14	30.00	26.00	26.76
13	28.00	24.00	24.76
12	26.00	22.00	22.76
11	24.00	20.00	20.76
10	22.00	18.00	18.76
9	20.00	16.00	16.76
8	18.00	14.00	14.76
7	16.00	12.00	12.76
6	14.00	10.00	10.76
5	12.00	8.00	8.76
4	10.00	6.00	6.76
3	8.00	4.00	4.80
2	6.00	2.00	4.80

2008-nAW-D



2010 Series

技术参数 Main specifications

规格单位 Specifications unit: mm

额定电流 Current rating: 3A AC/DC

额定电压 Voltage rating: 250V AC/DC

适用温度 Temperature range: -25 °C to +85 °C

接触电阻 Contact resistance: 30 mΩ max

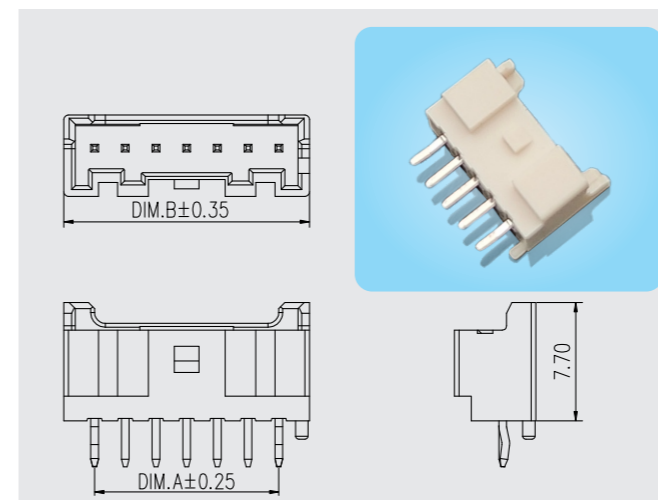
绝缘电阻 Insulation resistance: 1000 MΩ min

耐电压 Withstanding voltage: 800 VAC/minute

针座 Wafer

Pin	尺寸Size(mm)		Pin	尺寸Size(mm)	
	Dim.A	Dim.B		Dim.A	Dim.B
16	30.00	34.00	8	14.00	18.00
15	28.00	32.00	7	12.00	16.00
14	26.00	30.00	6	10.00	14.00
13	24.00	28.00	5	8.00	12.00
12	22.00	26.00	4	6.00	10.00
11	20.00	24.00	3	4.00	8.00
10	18.00	22.00	2	2.00	6.00
9	16.00	20.00			

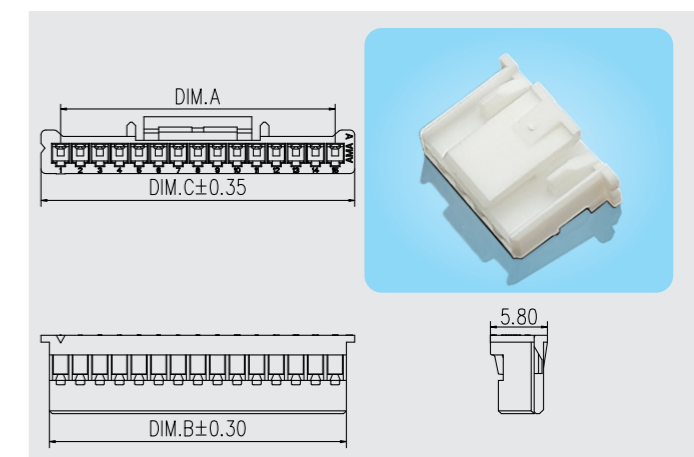
2010-nA-A



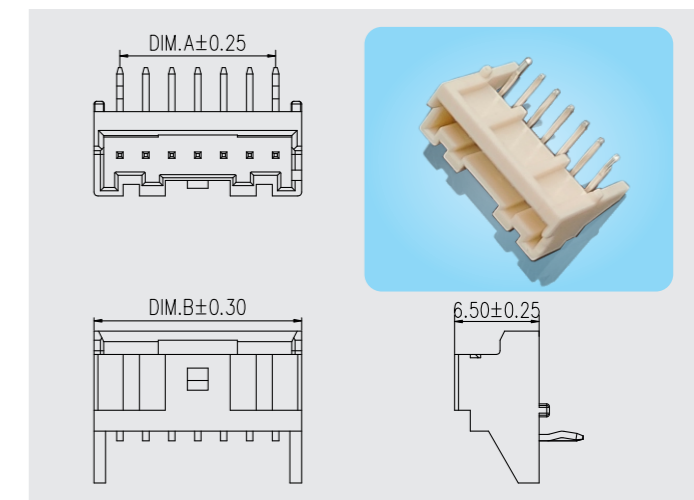
孔座 Housing

Pin	尺寸Size(mm)		
	Dim.A	Dim.B	Dim.C
16	30.00	32.30	34.00
15	28.00	30.30	32.00
14	26.00	28.30	30.00
13	24.00	26.30	28.00
12	22.00	24.30	26.00
11	20.00	22.30	24.00
10	18.00	20.30	22.00
9	16.00	18.30	20.00
8	14.00	16.30	18.00
7	12.00	14.30	16.00
6	10.00	12.30	14.00
5	8.00	10.30	12.00
4	6.00	8.30	10.00
3	4.00	6.30	8.00
2	2.00	4.30	6.00

2010-nY-G



2010-nAW-A

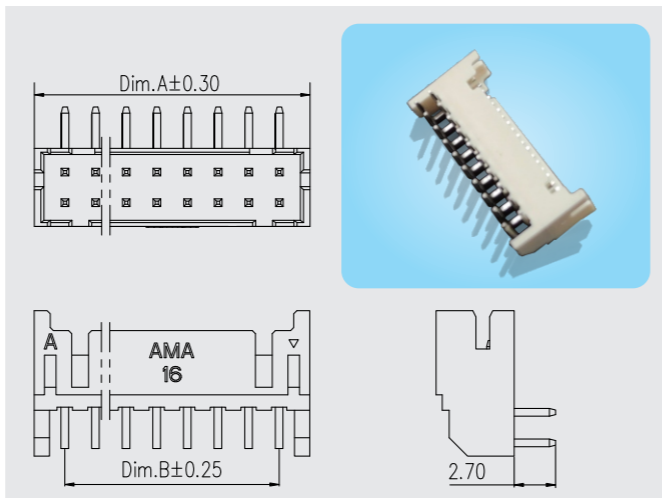


2006 Series

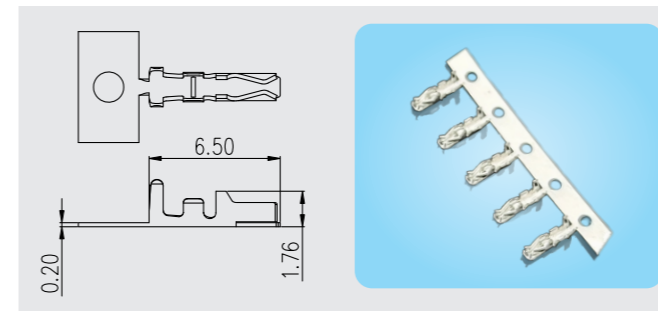
针座 Wafer

Pin	尺寸Size(mm)		Pin	尺寸Size(mm)	
	Dim.A	Dim.B		Dim.A	Dim.B
2X25	51.90	48.00	2X9	19.90	16.00
2X20	41.90	38.00	2X8	17.90	14.00
2X15	31.90	28.00	2X7	15.90	12.00
2X14	29.90	26.00	2X6	13.90	10.00
2X13	27.90	24.00	2X5	11.90	8.00
2X12	25.90	22.00	2X4	9.90	6.00
2X11	23.90	20.00	2X3	7.90	4.00
2X10	21.90	18.00	2X2	5.90	2.00

2006-2*nAW



DF11-1



针座 Wafer

Pin	尺寸Size(mm)		Pin	尺寸Size(mm)	
	Dim.A	Dim.B		Dim.A	Dim.B
16	34.00	30.00	8	18.00	14.00
15	32.00	28.00	7	16.00	12.00
14	30.00	26.00	6	14.00	10.00
13	28.00	24.00	5	12.00	8.00
12	26.00	22.00	4	10.00	6.00
11	24.00	20.00	3	8.00	4.00
10	22.00	18.00	2	6.00	2.00
9	20.00	16.00			

2008 Series

技术参数 Main specifications

规格单位 Specifications unit: mm

额定电流 Current rating: 2A AC/DC

额定电压 Voltage rating: 125V AC/DC

适用温度 Temperature range: -25 °C to +85 °C

接触电阻 Contact resistance: 20 mΩ max

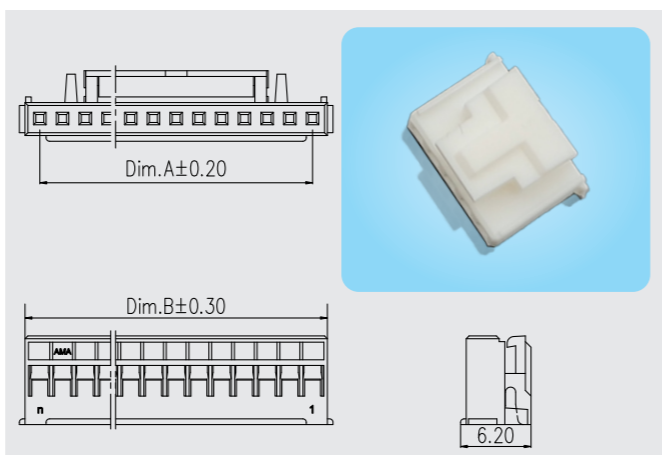
绝缘电阻 Insulation resistance: 1000 MΩ min

耐电压 Withstanding voltage: 1000 VAC/minute

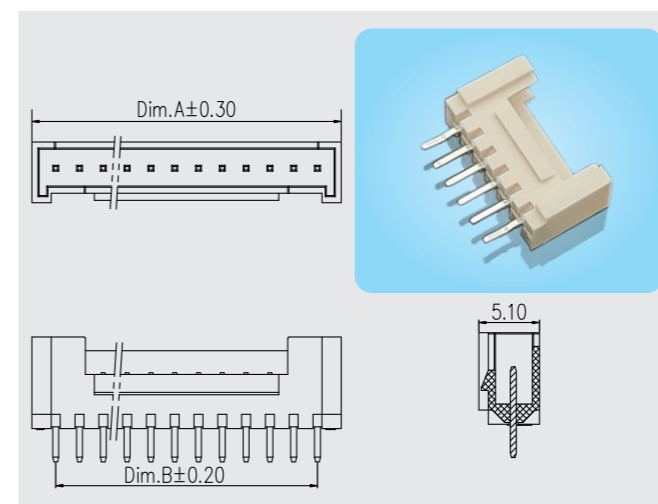
孔座 Housing

Pin	尺寸Size(mm)		Pin	尺寸Size(mm)	
	Dim.A	Dim.B		Dim.A	Dim.B
16	30.00	32.60	8	14.00	16.60
15	28.00	30.60	7	12.00	14.60
14	26.00	28.60	6	10.00	12.60
13	24.00	26.60	5	8.00	10.60
12	22.00	24.60	4	6.00	8.60
11	20.00	22.60	3	4.00	6.60
10	18.00	20.60	2	2.00	4.60
9	16.00	18.60			

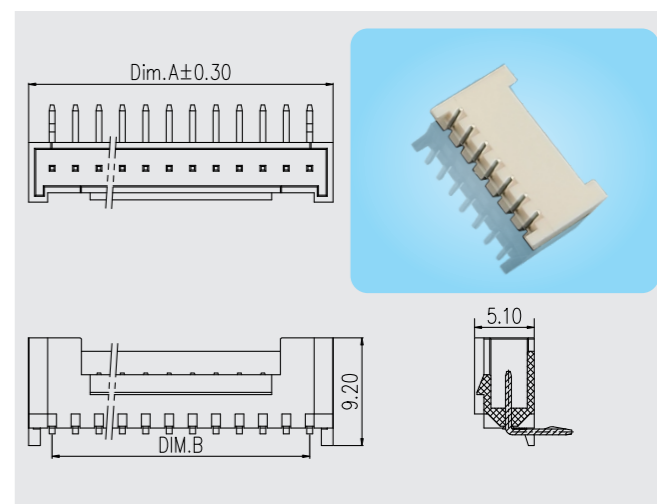
2008-nY



2008-nA



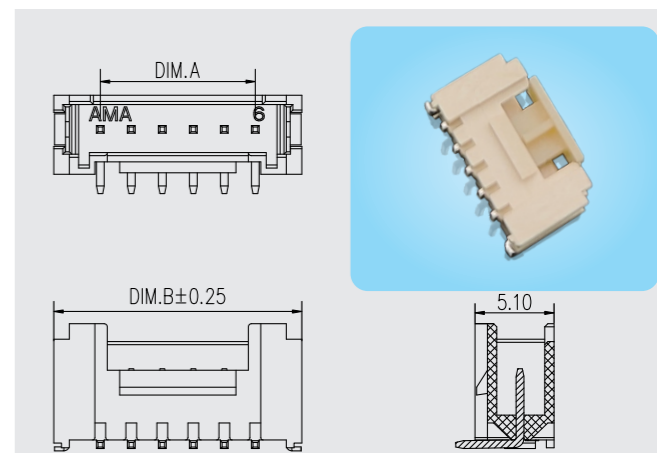
2008-nAW



针座 Wafer

Pin	尺寸Size(mm)		Pin	尺寸Size(mm)	
	Dim.A	Dim.B		Dim.A	Dim.B
16	30.00	36.00	8	14.00	20.00
15	28.00	34.00	7	12.00	18.00
14	26.00	32.00	6	10.00	16.00
13	24.00	30.00	5	8.00	14.00
12	22.00	28.00	4	6.00	12.00
11	20.00	26.00	3	4.00	10.00
10	18.00	24.00	2	2.00	8.00
9	16.00	22.00			

2008-nAV-S

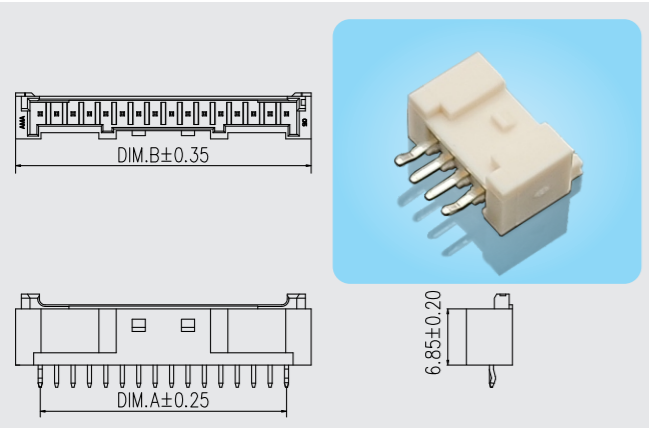


2010 Series

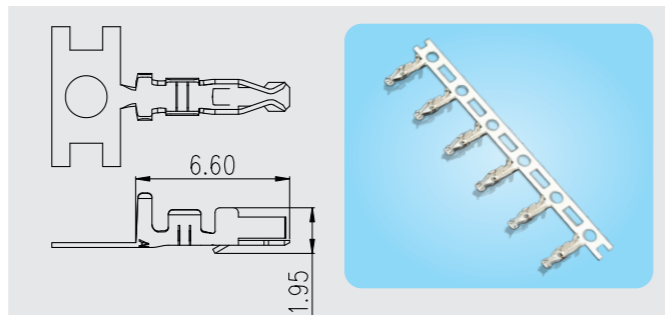
针座 Wafer

Pin	尺寸Size(mm)		Pin	尺寸Size(mm)	
	Dim.A	Dim.B		Dim.A	Dim.B
16	30.00	36.00	8	14.00	20.00
15	28.00	34.00	7	12.00	18.00
14	26.00	32.00	6	10.00	16.00
13	24.00	30.00	5	8.00	14.00
12	22.00	28.00	4	6.00	12.00
11	20.00	26.00	3	4.00	10.00
10	18.00	24.00	2	2.00	8.00
9	16.00	22.00			

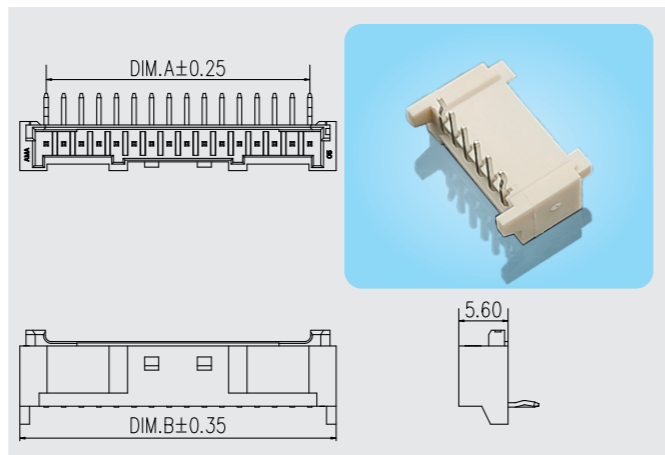
2010-nA



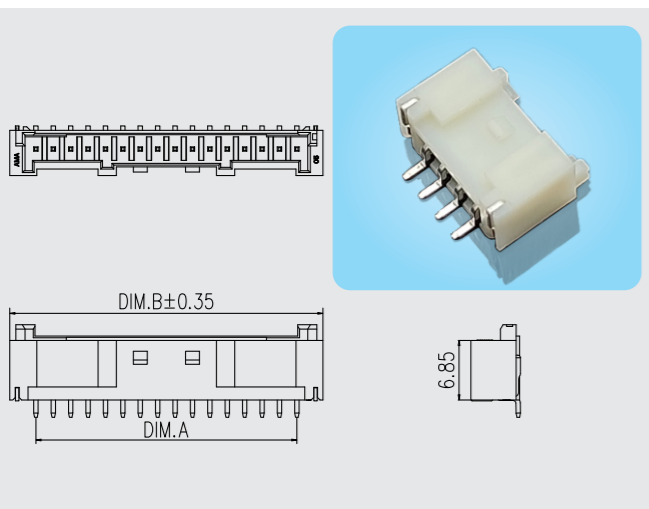
2006-T



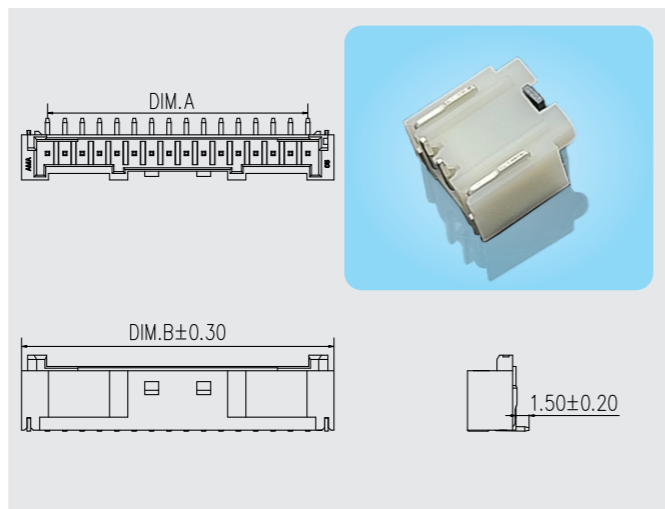
2010-nAW



2010-nAW-S



2010-nAV-S



2011 Series

技术参数 Main specifications

规格单位 Specifications unit: mm

额定电流 Current rating: 3A AC/DC

额定电压 Voltage rating: 250V AC/DC

适用温度 Temperature range: -25 °C to +85 °C

接触电阻 Contact resistance: 20 mΩ max

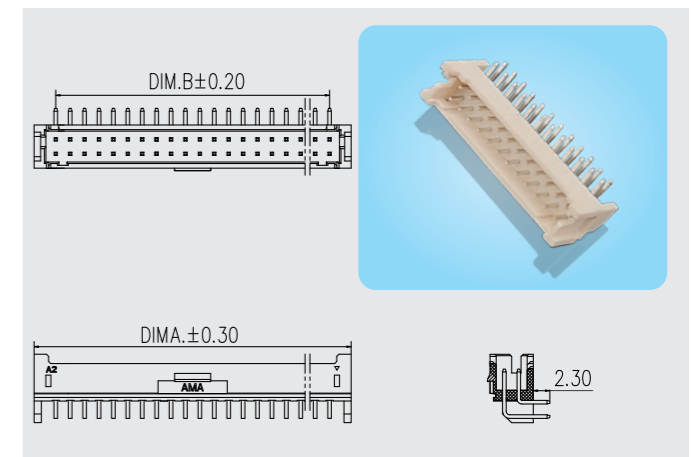
绝缘电阻 Insulation resistance: 1000 MΩ min

耐电压 Withstanding voltage: 1000 VAC/minute

针座 Wafer

Pin	尺寸Size(mm)		Pin	尺寸Size(mm)	
	Dim.A	Dim.B		Dim.A	Dim.B
2X25	54.00	48.00	2X11	26.00	20.00
2X20	44.00	38.00	2X10	24.00	18.00
2X15	34.00	28.00	2X9	22.00	16.00
2X14	32.00	26.00	2X8	20.00	14.00
2X13	30.00	24.00	2X7	18.00	12.00
2X12	28.00	22.00			

2011-2*nAW



H2506 Series

孔座 Housing

Pin	尺寸Size(mm)		Pin	尺寸Size(mm)	
	Dim.A	Dim.B		Dim.A	Dim.B
15	35.00	38.20	8	17.50	20.70
14	32.50	35.70	7	15.00	18.20
13	30.00	33.20	6	12.50	15.70
12	27.50	30.70	5	10.00	13.20
11	25.00	28.20	4	7.50	10.70
10	22.50	25.70	3	5.00	8.20
9	20.00	23.20	2	2.50	5.70

技术参数 Main specifications

规格单位 Specifications unit: mm

额定电流 Current rating: 3A AC/DC

额定电压 Voltage rating: 250V AC/DC

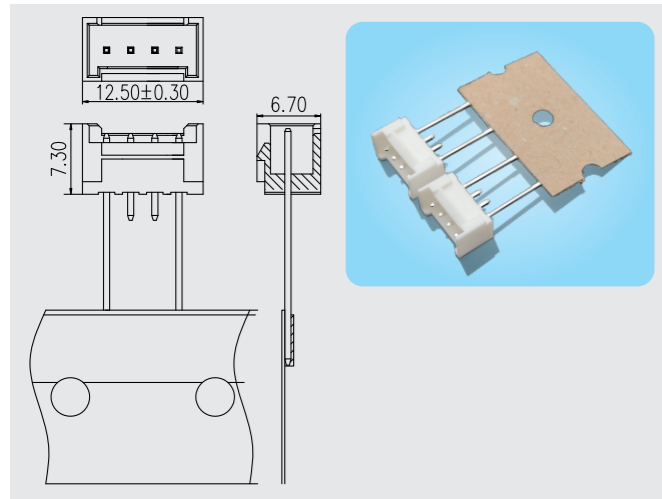
适用温度 Temperature range: -25 °C to +85 °C

接触电阻 Contact resistance: 30 mΩ max

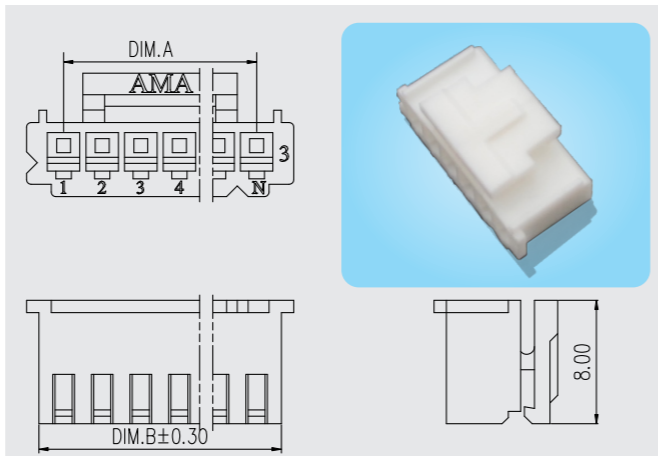
绝缘电阻 Insulation resistance: 1000 MΩ min

耐电压 Withstanding voltage: 1000 VAC/minute

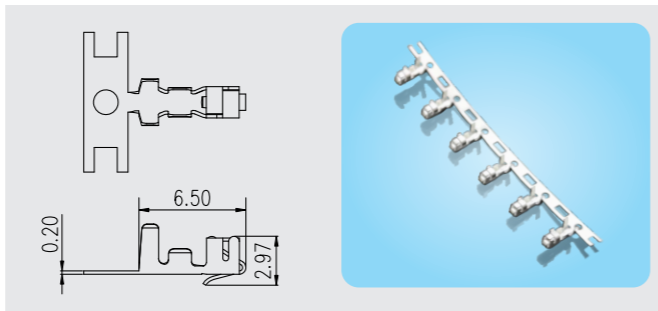
H2506-nA 纸编带 (Radial-tape)



H2506-nY



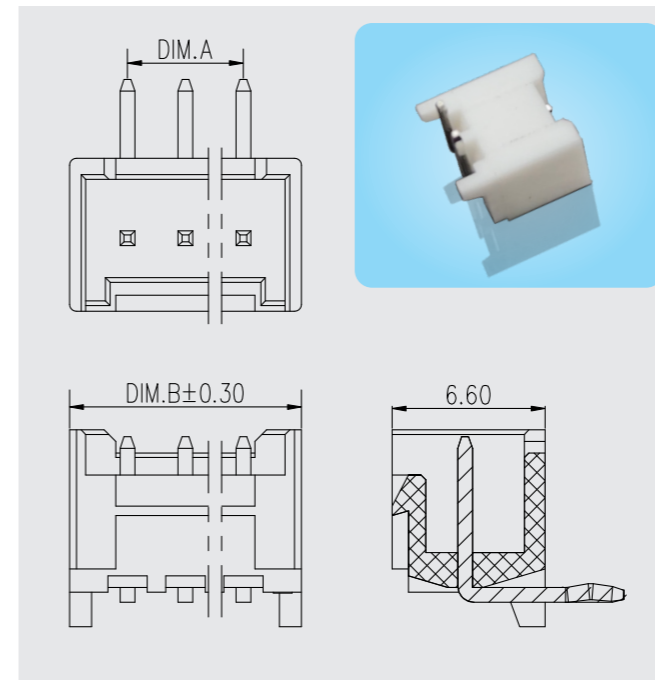
TJC3A28T-T



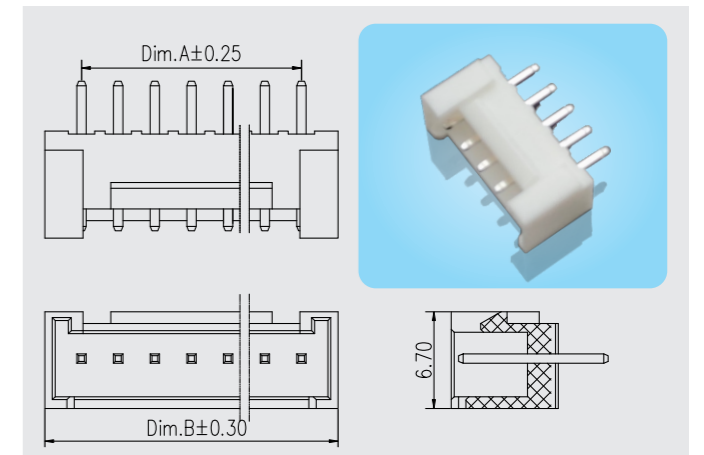
针座 Wafer

Pin	尺寸Size(mm)	
	Dim.A	Dim.B
15	35.00	40.00
14	32.50	37.50
13	30.00	35.00
12	27.50	32.50
11	25.00	30.00
10	22.50	27.50
9	20.00	25.00
8	17.50	22.50
7	15.00	20.00
6	12.50	17.50
5	10.00	15.00
4	7.50	12.50
3	5.00	10.00
2	2.50	7.50

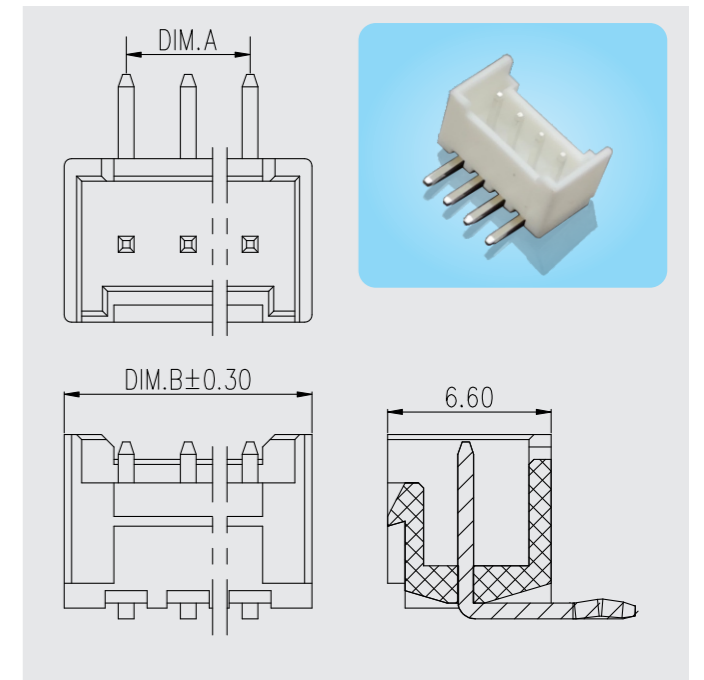
H2506-nAW



H2506-nA



H2506-nAW不带定位 (without positioning)



2509 Series

技术参数 Main specifications

规格单位 Specifications unit: mm

额定电流 Current rating: 3A AC/DC

额定电压 Voltage rating: 250V AC/DC

适用温度 Temperature range: -25 °C to +85 °C

接触电阻 Contact resistance: 10 mΩ max

绝缘电阻 Insulation resistance: 1000 MΩ min

耐电压 Withstanding voltage: 1000 VAC/minute

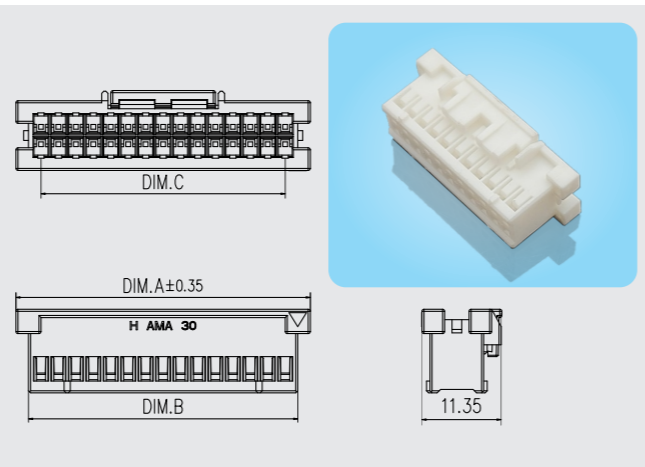
锁片 Locking Piece

Pin	尺寸 Size(mm)	
	Dim.A	Dim.B
2X15	40.70	35.00
2X14	38.20	32.50
2X13	35.70	30.00
2X12	33.20	27.50
2X11	30.70	25.00
2X10	28.20	22.50
2X9	25.70	20.00
2X8	23.20	17.50
2X7	20.70	15.00
2X6	18.20	12.50
2X5	15.70	10.00

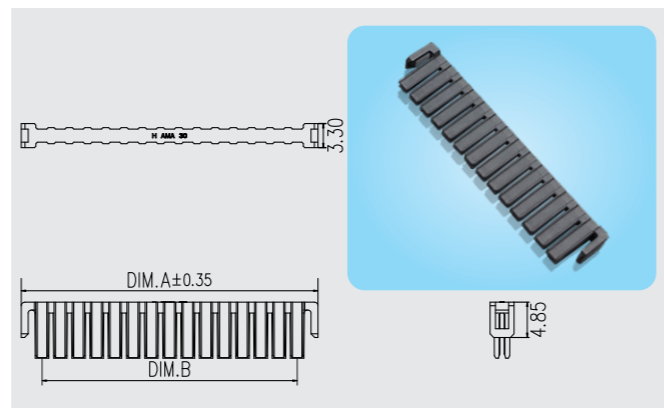
孔座 Housing

Pin	尺寸 Size(mm)		
	Dim.A	Dim.B	Dim.C
2X15	42.20	38.60	35.00
2X14	39.70	36.10	32.50
2X13	37.20	33.60	30.00
2X12	34.70	31.10	27.50
2X11	32.20	28.60	25.00
2X9	27.20	23.60	20.00
2X8	24.70	21.10	17.50
2X7	22.20	18.60	15.00
2X6	19.70	16.10	12.50
2X5	17.20	13.60	10.00

2509-2*nY



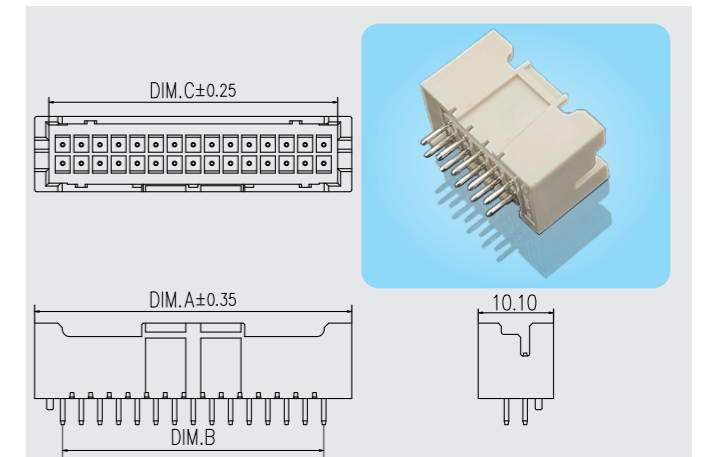
2509-2*nY锁片 (locking plate)



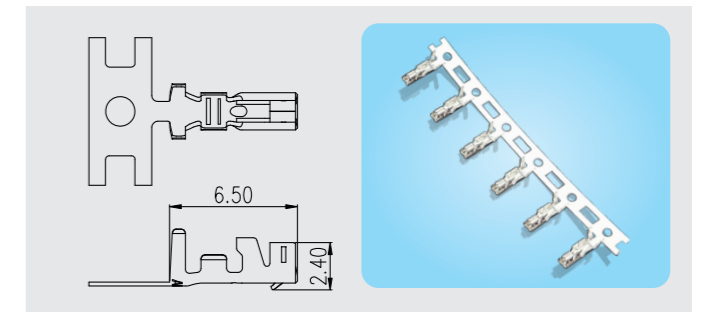
针座 Wafer

Pin	尺寸 Size(mm)		
	Dim.A	Dim.B	Dim.C
2X20	55.00	47.50	51.20
2X18	50.00	42.50	46.20
2X17	47.50	40.00	43.70
2X16	45.00	37.50	41.20
2X15	42.50	35.00	38.70
2X14	40.00	32.50	36.20
2X13	37.50	30.00	33.70
2X12	35.00	27.50	31.20
2X11	32.50	25.00	28.70
2X10	30.00	22.50	26.20
2X9	27.50	20.00	23.70
2X8	25.00	17.50	21.20
2X7	22.50	15.00	18.70
2X6	20.00	12.50	16.20
2X5	17.50	10.00	13.70
2X4	15.00	7.50	11.20

2509-2*nA



2509-T

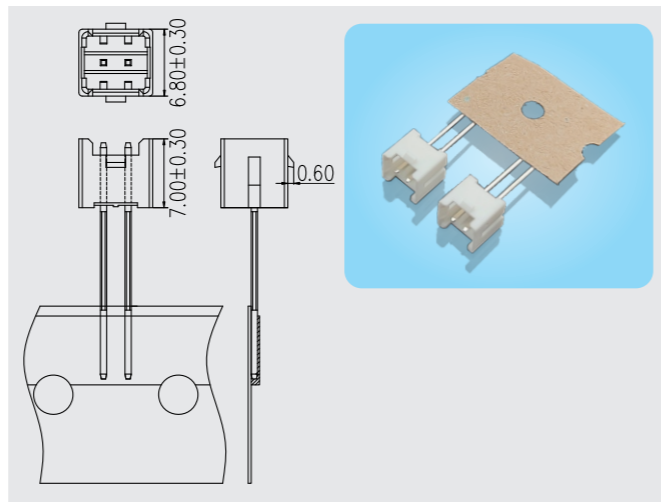


2511 Series

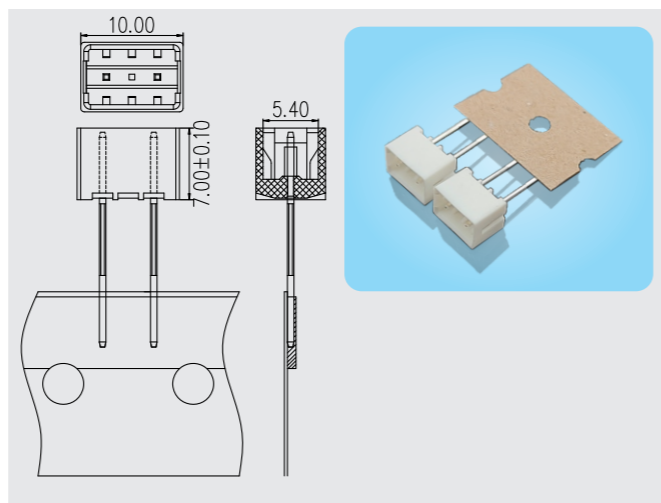
技术参数 Main specifications

- 规格单位 Specifications unit: mm
- 额定电流 Current rating: 3A AC/DC
- 额定电压 Voltage rating: 250V AC/DC
- 适用温度 Temperature range: -25 °C to +85 °C
- 接触电阻 Contact resistance: 30 mΩ max
- 绝缘电阻 Insulation resistance: 1000 MΩ min
- 耐电压 Withstanding voltage: 1000 VAC/minute

2511-2A纸编带 (Radial-tape)



2511-3A2纸编带 (Radial-tape)



2513

Series

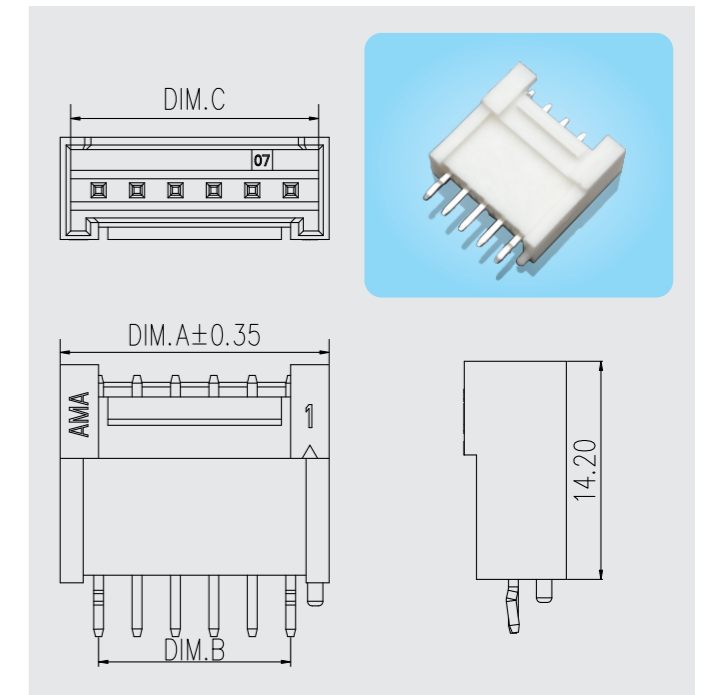
技术参数 Main specifications

- 规格单位 Specifications unit: mm
- 额定电流 Current rating: 3A AC/DC
- 额定电压 Voltage rating: 250V AC/DC
- 适用温度 Temperature range: -25 °C to +85 °C
- 接触电阻 Contact resistance: 20 mΩ max
- 绝缘电阻 Insulation resistance: 1000 MΩ min
- 耐电压 Withstanding voltage: 1000 VAC/minute

针座 Wafer

Pin	尺寸 Size(mm)		
	Dim.A	Dim.B	Dim.C
12	32.50	27.50	31.14
10	27.50	22.50	26.14
9	25.00	20.00	23.64
8	22.50	17.50	21.14
6	17.50	12.50	16.14
5	15.00	10.00	13.64
4	12.50	7.50	11.14
3	10.00	5.00	8.64
2	7.50	2.50	6.14

2513-nA-G



C2514 Series

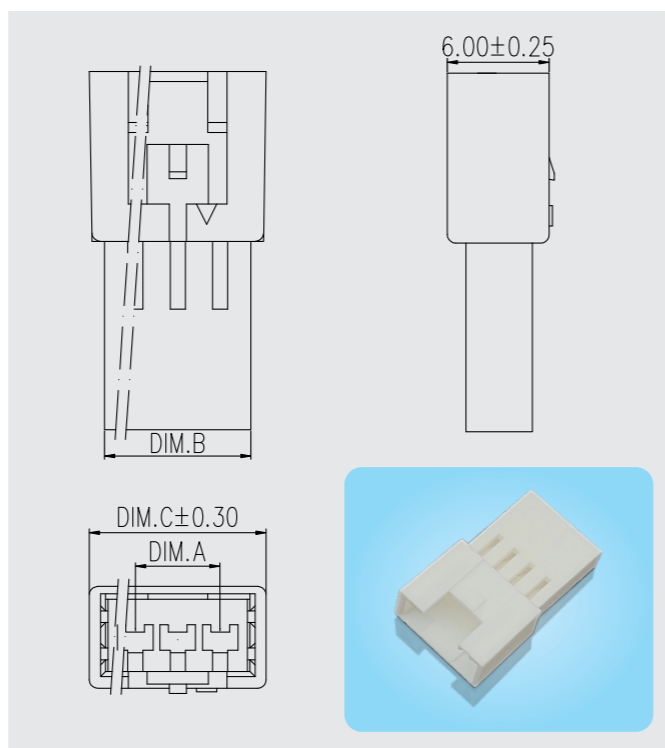
技术参数 Main specifications

- 规格单位 Specifications unit: mm
- 额定电流 Current rating: 3A AC/DC
- 额定电压 Voltage rating: 250V AC/DC
- 适用温度 Temperature range: -25 °C to +85 °C
- 接触电阻 Contact resistance: 20 mΩ max
- 绝缘电阻 Insulation resistance: 1000 MΩ min
- 耐电压 Withstanding voltage: 1000 VAC/minute

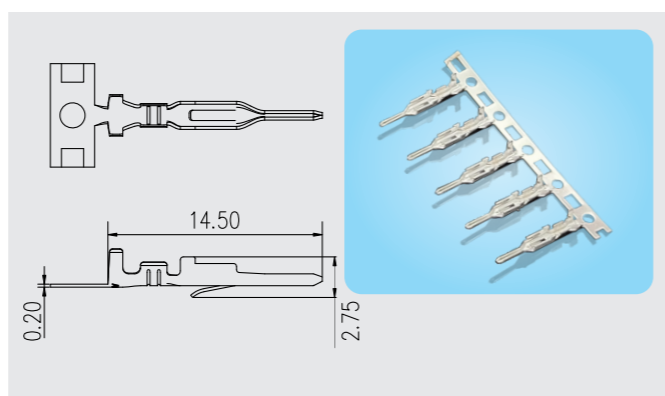
孔座 Housing

Pin	尺寸 Size(mm)		
	Dim.A	Dim.B	Dim.C
3	5.00	8.60	10.40
2	2.50	6.10	7.90

C2514-nY



C2514-T



2515 Series

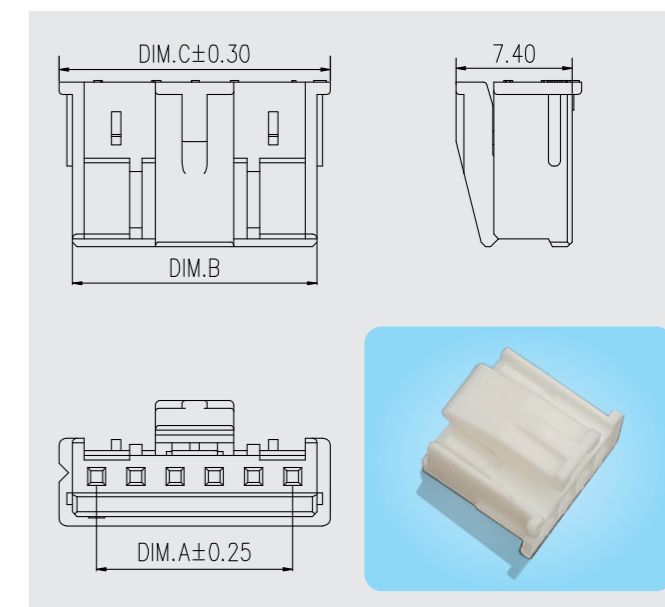
技术参数 Main specifications

- 规格单位 Specifications unit: mm
- 额定电流 Current rating: 3A AC/DC
- 额定电压 Voltage rating: 250V AC/DC
- 适用温度 Temperature range: -25 °C to +85 °C
- 接触电阻 Contact resistance: 20 mΩ max
- 绝缘电阻 Insulation resistance: 1000 MΩ min
- 耐电压 Withstanding voltage: 1000 VAC/minute

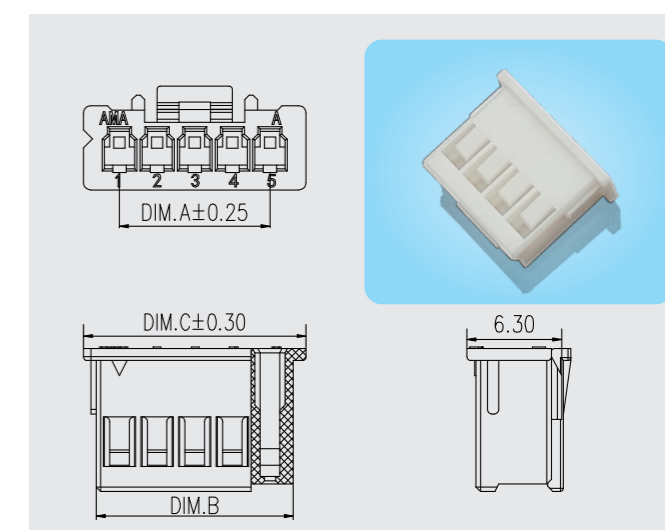
孔座 Housing

Pin	尺寸 Size(mm)		
	Dim.A	Dim.B	Dim.C
15	35.00	38.10	39.80
14	32.50	35.60	37.30
13	30.00	33.10	34.80
12	27.50	30.60	32.30
11	25.00	28.10	29.80
10	22.50	25.60	27.30
9	20.00	23.10	24.80
8	17.50	20.60	22.30
7	15.00	18.10	19.80
6	12.50	15.60	17.30
5	10.00	13.10	14.80
4	7.50	10.60	12.30
3	5.00	8.10	9.80
2	2.50	5.60	7.30

2515-nY-G



2515-nY-G-02



2515 Series

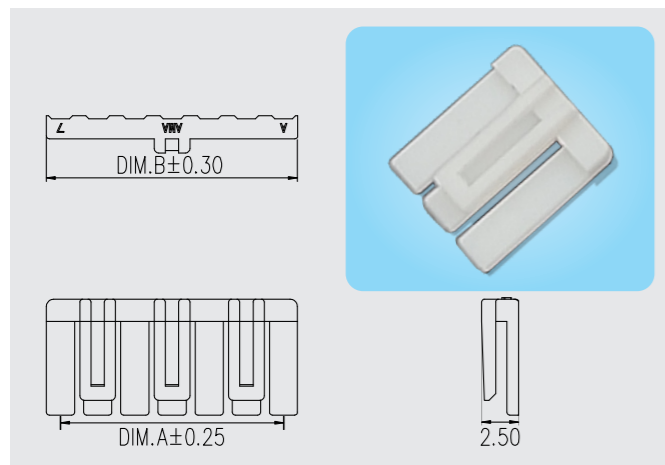
锁片 Locking Piece

Pin	尺寸Size(mm)		Pin	尺寸Size(mm)	
	Dim.A	Dim.B		Dim.A	Dim.B
15	35.00	36.90	8	17.50	19.40
14	32.50	34.40	7	15.00	16.90
13	30.00	31.90	6	12.50	14.40
12	27.50	29.40	5	10.00	11.90
11	25.00	26.90	4	7.50	9.40
10	22.50	24.40	3	5.00	6.90
9	20.00	21.90	2	2.50	4.40

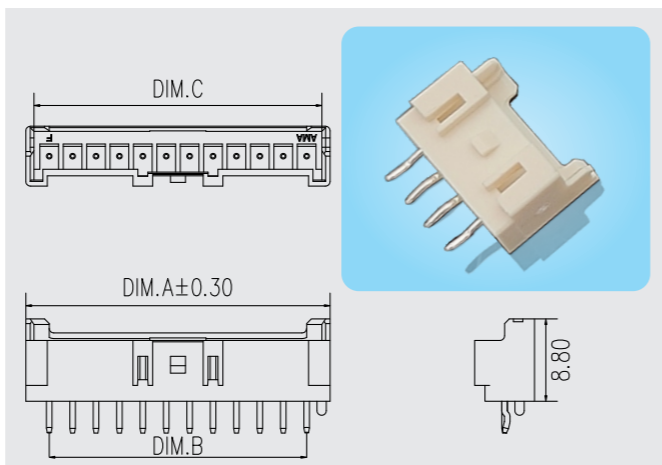
针座 Wafer

Pin	尺寸Size(mm)		
	Dim.A	Dim.B	Dim.C
15	40.00	35.00	38.25
14	37.50	32.50	25.75
13	35.00	30.00	33.25
12	32.50	27.50	30.75
11	30.00	25.00	28.25
10	27.50	22.50	25.75
9	25.00	20.00	23.25
8	22.50	17.50	20.75
7	20.00	15.00	18.25
6	17.50	12.50	15.75
5	15.00	10.00	13.25
4	12.50	7.50	10.75
3	10.00	5.00	8.25
2	7.50	2.50	5.75

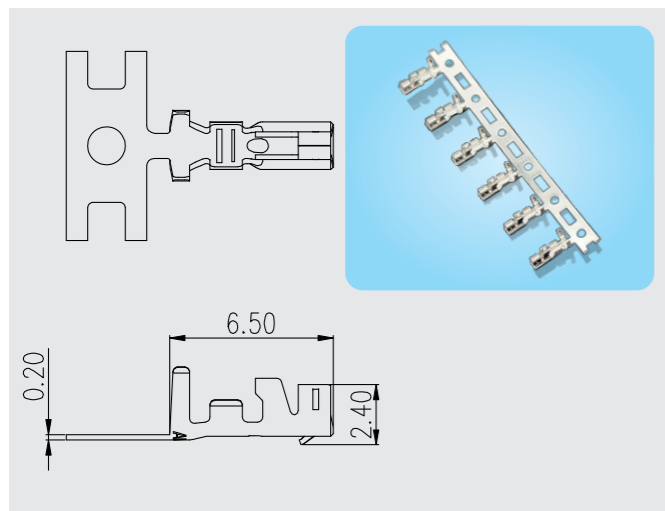
2515-nY-G锁片 (locking plate)



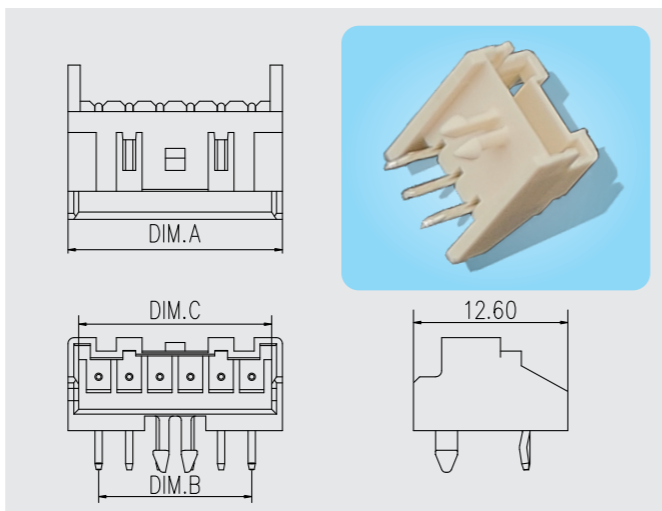
2515-nA



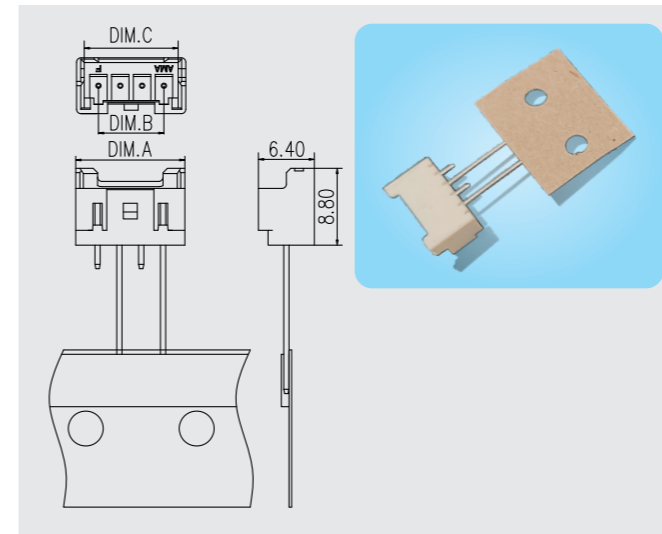
2509-T



2515-nAW



2515-nA纸编带 (Radial-tape)



2516 Series

技术参数 Main specifications

规格单位 Specifications unit: mm

额定电流 Current rating: 3A AC/DC

额定电压 Voltage rating: 250V AC/DC

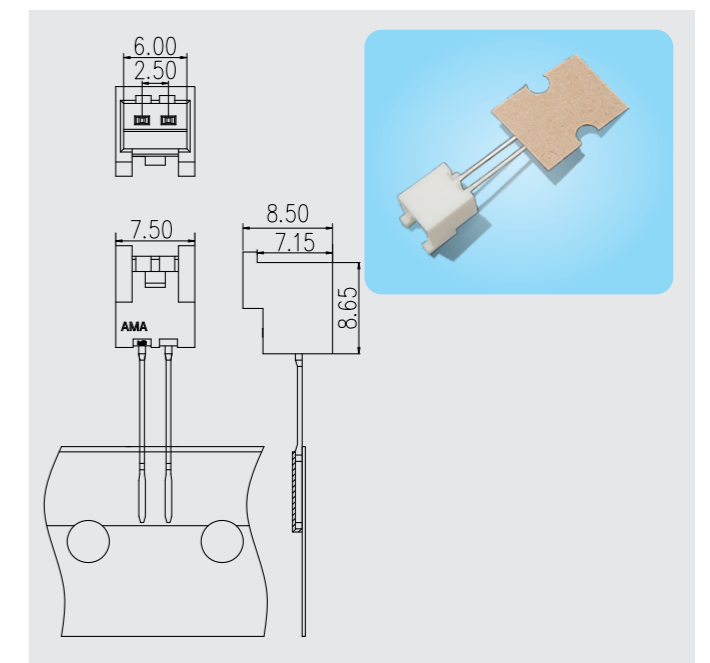
适用温度 Temperature range: -25 °C to +85 °C

接触电阻 Contact resistance: 20 mΩ max

绝缘电阻 Insulation resistance: 1000 MΩ min

耐电压 Withstanding voltage: 1000 VAC/minute

2516-2A纸编带 (Radial-tape)

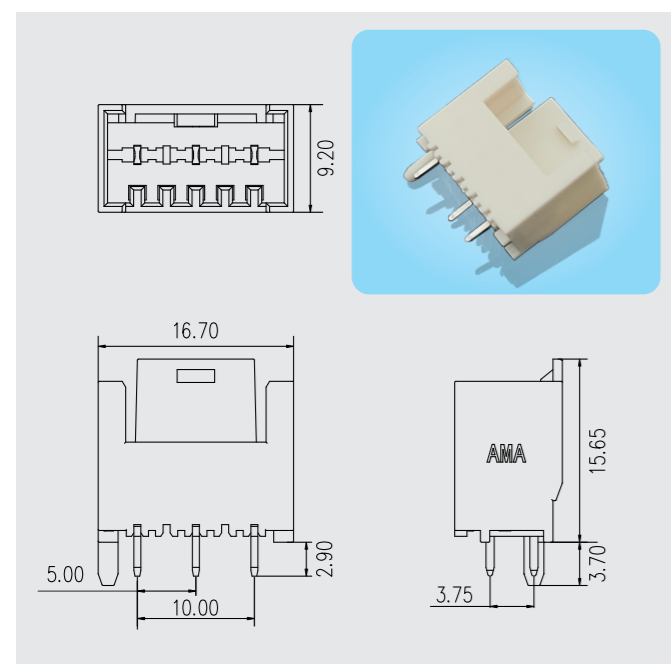


2517 Series

技术参数 Main specifications

规格单位 Specifications unit: mm
 额定电流 Current rating: 2A AC/DC
 额定电压 Voltage rating: 250V AC/DC
 适用温度 Temperature range: -25 °C to +85 °C
 接触电阻 Contact resistance: 40 mΩ max
 绝缘电阻 Insulation resistance: 1000 MΩ min
 耐电压 Withstanding voltage: 1000 VAC/minute

2517-5A3



2518 Series

技术参数 Main specifications

规格单位 Specifications unit: mm
 额定电流 Current rating: 3A AC/DC
 额定电压 Voltage rating: 250V AC/DC
 适用温度 Temperature range: -25 °C to +85 °C
 接触电阻 Contact resistance: 20 mΩ max
 绝缘电阻 Insulation resistance: 1000 MΩ min
 耐电压 Withstanding voltage: 1000 VAC/minute

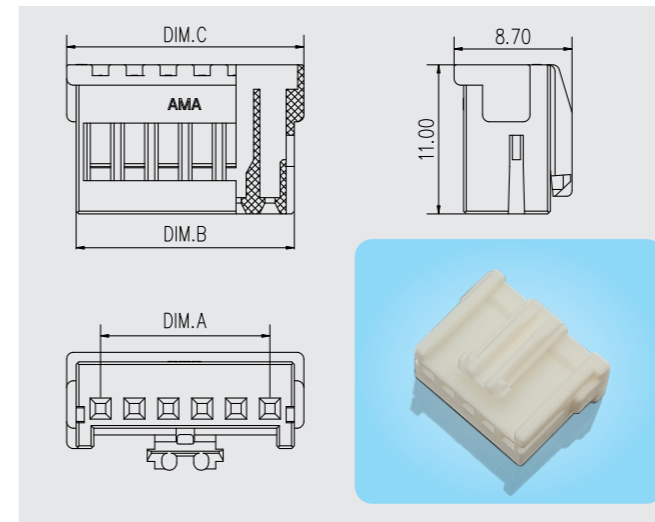
孔座 Housing

Pin	尺寸 Size(mm)		
	Dim.A	Dim.B	Dim.C
15	35.00	38.60	40.00
14	32.50	36.10	37.50
13	30.00	33.60	35.00
12	27.50	31.10	32.50
11	25.00	28.60	30.00
10	22.50	26.10	27.50
9	20.00	23.60	25.00
8	17.50	21.10	22.50
7	15.00	18.60	20.00
6	12.50	16.10	17.50
5	10.00	13.60	15.00
4	7.50	11.10	12.50

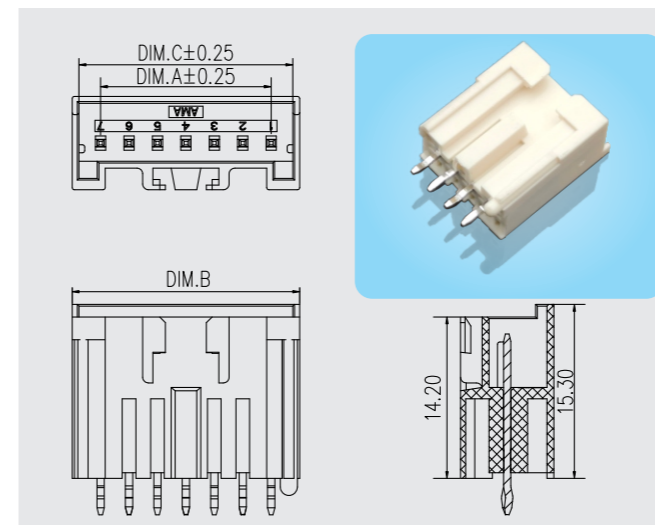
针座 Wafer

Pin	尺寸 Size(mm)		
	Dim.A	Dim.B	Dim.C
12	27.50	32.50	31.30
11	25.00	30.00	28.80
10	22.50	27.50	26.30
9	20.00	25.00	23.80
8	17.50	22.50	21.30
7	15.00	20.00	18.80
6	12.50	17.50	16.30
5	10.00	15.00	13.80
4	7.50	12.50	11.30
3	5.00	10.00	8.80
2	2.50	7.50	6.30

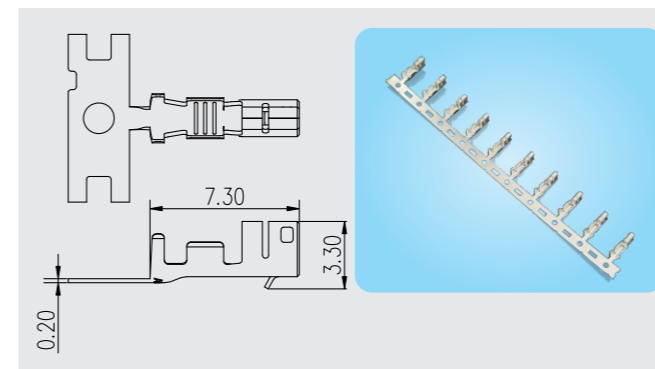
2518-nY-G



2518-nA



2518-T



2519 Series

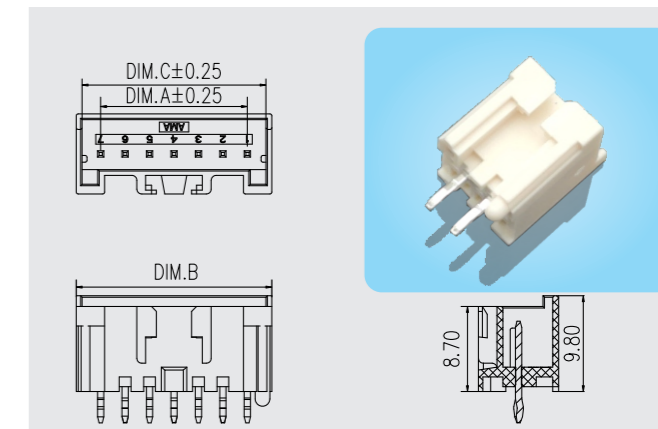
技术参数 Main specifications

规格单位 Specifications unit: mm
 额定电流 Current rating: 3A AC/DC
 额定电压 Voltage rating: 250V AC/DC
 适用温度 Temperature range: -25 °C to +85 °C
 接触电阻 Contact resistance: 20 mΩ max
 绝缘电阻 Insulation resistance: 1000 MΩ min
 耐电压 Withstanding voltage: 1000 VAC/minute

针座 Wafer

Pin	尺寸 Size(mm)		
	Dim.A	Dim.B	Dim.C
12	27.50	32.50	31.30
11	25.00	30.00	28.80
10	22.50	27.50	26.30
9	20.00	25.00	23.80
8	17.50	22.50	21.30
7	15.00	20.00	18.80
6	12.50	17.50	16.30
5	10.00	15.00	13.80
4	7.50	12.50	11.30
3	5.00	10.00	8.80
2	2.50	7.50	6.30

2519-nA



2520 Series

技术参数 Main specifications

规格单位 Specifications unit: mm

额定电流 Current rating: 3A AC/DC

额定电压 Voltage rating: 250V AC/DC

适用温度 Temperature range: -25 °C to +85 °C

接触电阻 Contact resistance: 20 mΩ max

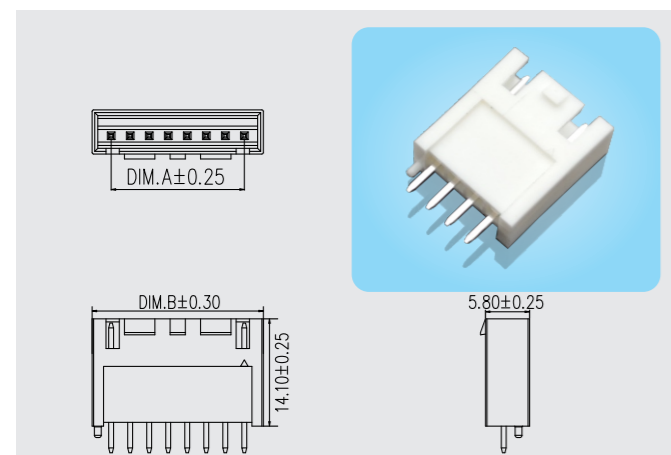
绝缘电阻 Insulation resistance: 1000 MΩ min

耐电压 Withstanding voltage: 1000 VAC/minute

针座 Wafer

Pin	尺寸 Size(mm)		Pin	尺寸 Size(mm)	
	Dim.A	Dim.B		Dim.A	Dim.B
15	35.00	40.00	8	17.50	22.50
14	32.50	37.50	7	15.00	20.00
13	30.00	35.00	6	12.50	17.50
12	27.50	32.50	5	10.00	15.00
11	25.00	30.00	4	7.50	12.50
10	22.50	27.50	3	5.00	10.00
9	20.00	25.00	2	2.50	7.50

2520-nA



2542 Series

技术参数 Main specifications

规格单位 Specifications unit: mm

额定电流 Current rating: 3A AC/DC

额定电压 Voltage rating: 250V AC/DC

适用温度 Temperature range: -25 °C to +85 °C

接触电阻 Contact resistance: 30 mΩ max

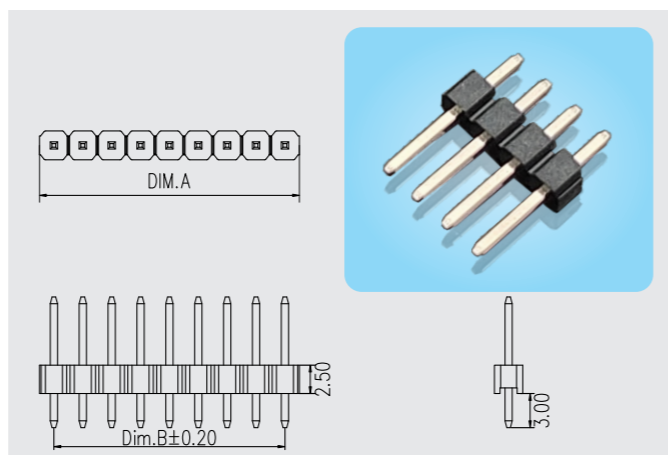
绝缘电阻 Insulation resistance: 1000 MΩ min

耐电压 Withstanding voltage: 1000 VAC/minute

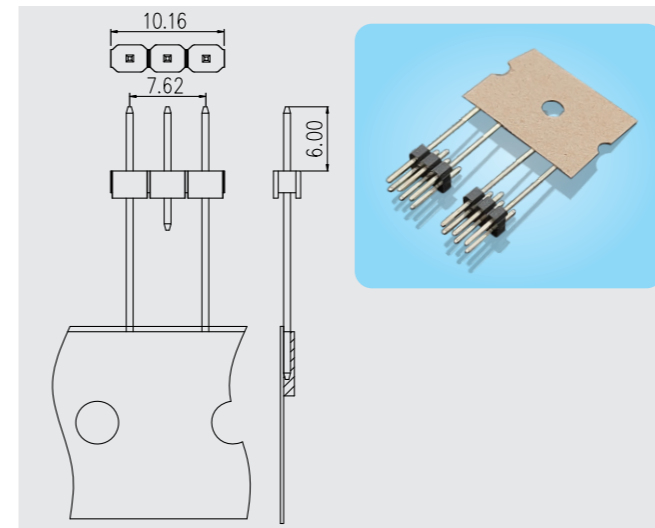
针座 Wafer

Pin	尺寸 Size(mm)		Pin	尺寸 Size(mm)	
	Dim.A	Dim.B		Dim.A	Dim.B
20	50.80	48.26	10	25.40	22.86
19	48.26	45.72	9	22.86	20.32
18	45.72	43.18	8	20.32	17.78
17	43.18	40.64	7	17.78	15.24
16	40.64	38.10	6	15.24	12.70
15	38.10	35.56	5	12.70	10.16
14	35.56	33.02	4	10.16	7.62
13	33.02	30.48	3	7.62	5.08
12	30.48	27.94	2	5.08	2.54
11	27.94	25.40			

2542-nA



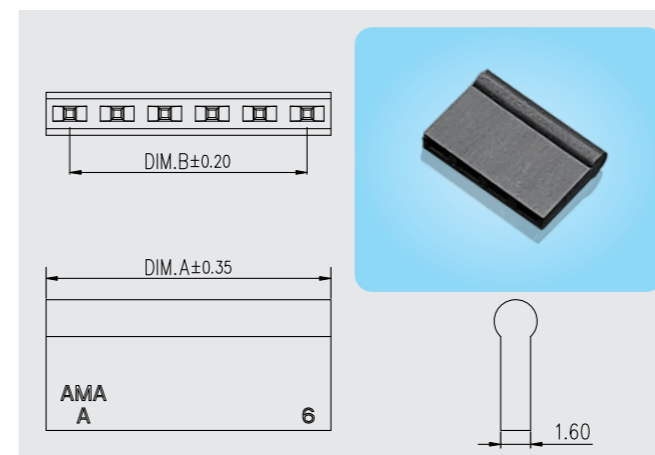
2542-2*3A纸编带 (Radial-tape)



孔座 Housing

Pin	尺寸 Size(mm)	
	Dim.A	Dim.B
11	27.94	25.40
10	25.40	22.86
9	22.86	20.32
8	20.32	17.78
7	17.78	15.24
6	15.24	12.70
5	12.70	10.16
4	10.16	7.62
3	7.62	5.08
2	5.08	2.54

2542防护帽 (Protective cap) -nY



2547 Series

技术参数 Main specifications

规格单位 Specifications unit: mm

额定电流 Current rating: 3A AC/DC

额定电压 Voltage rating: 250V AC/DC

适用温度 Temperature range: -25 °C to +85 °C

接触电阻 Contact resistance: 20 mΩ max

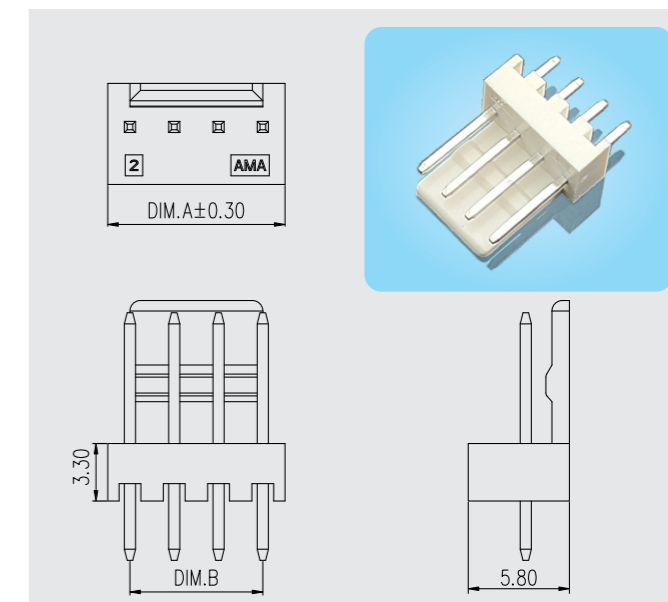
绝缘电阻 Insulation resistance: 1000 MΩ min

耐电压 Withstanding voltage: 1000 VAC/minute

针座 Wafer

Pin	尺寸 Size(mm)	
	Dim.A	Dim.B
5	12.70	10.16
4	10.16	7.62
3	7.62	5.08
2	5.08	2.54

2547-nA

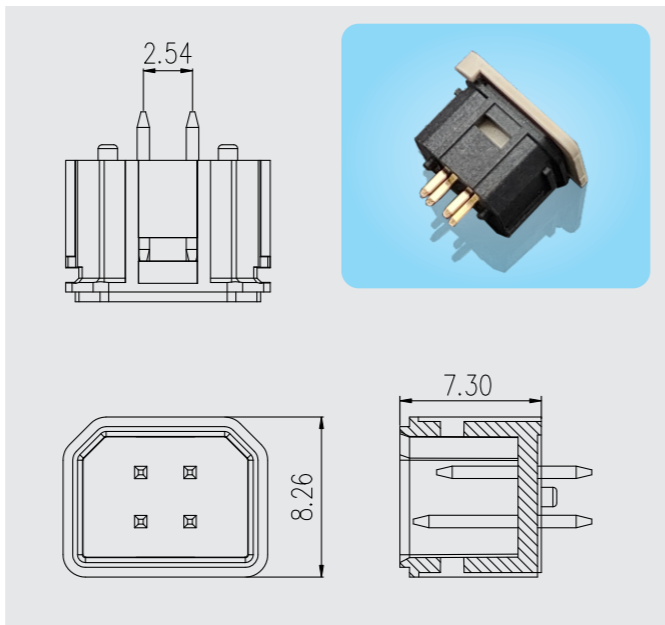


2548 Series

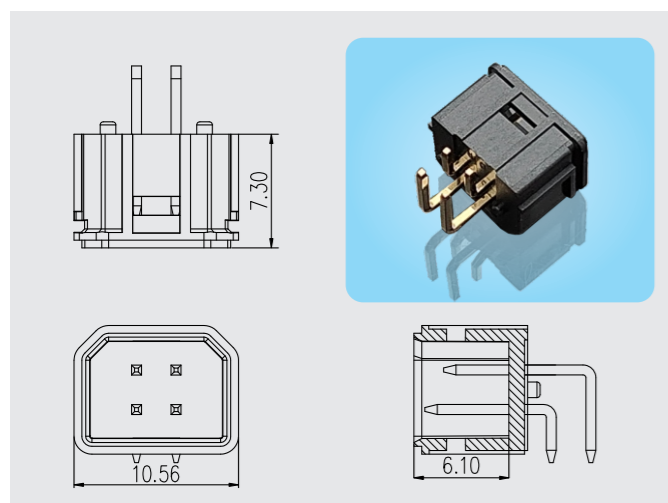
技术参数 Main specifications

规格单位 Specifications unit: mm
 额定电流 Current rating: 3A AC/DC
 额定电压 Voltage rating: 250V AC/DC
 适用温度 Temperature range: -25 °C to +85 °C
 接触电阻 Contact resistance: 30 mΩ max
 绝缘电阻 Insulation resistance: 1000 MΩ min
 耐电压 Withstanding voltage: 1000 VAC/minute

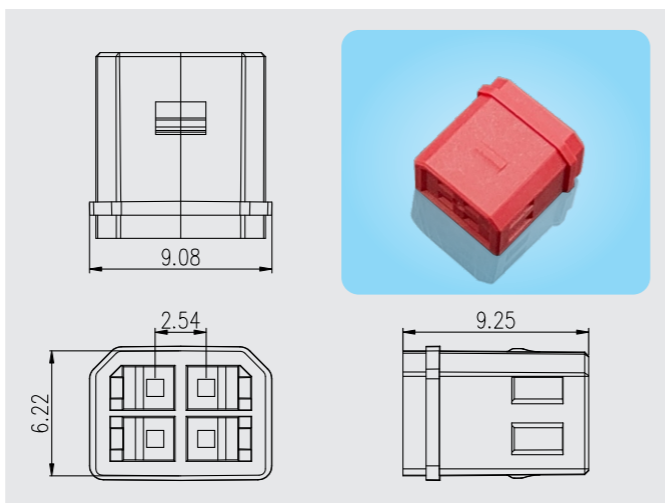
2548-2*2A



2548-2*2AW



2548-2*2Y



25410 Series

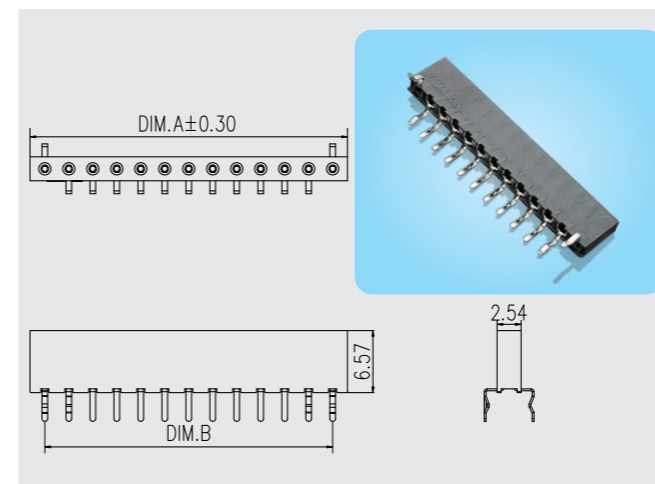
技术参数 Main specifications

规格单位 Specifications unit: mm
 额定电流 Current rating: 2A AC/DC
 额定电压 Voltage rating: 220V AC/DC
 适用温度 Temperature range: -25 °C to +85 °C
 接触电阻 Contact resistance: 30 mΩ max
 绝缘电阻 Insulation resistance: 1000 MΩ min
 耐电压 Withstanding voltage: 500 VAC/minute

针座 Wafer

Pin	尺寸 Size(mm)	
	Dim.A	Dim.B
22	56.48	53.34
18	46.32	43.18
16	41.24	38.10
14	36.16	33.02
13	33.62	30.48

25410-nA



25411 Series

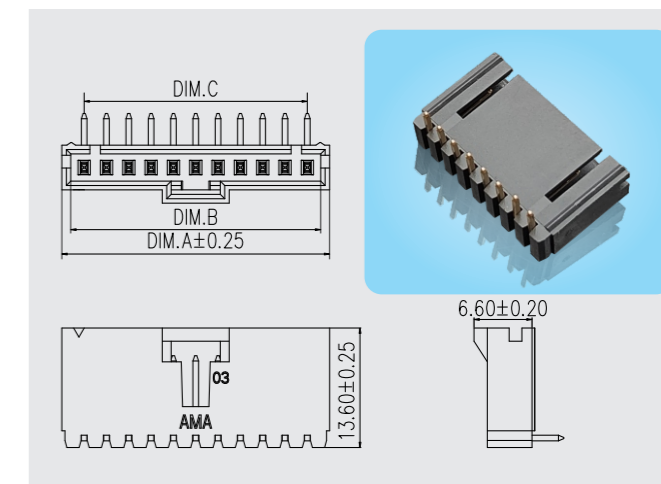
技术参数 Main specifications

规格单位 Specifications unit: mm
 额定电流 Current rating: 3A AC/DC
 额定电压 Voltage rating: 250V AC/DC
 适用温度 Temperature range: -25 °C to +85 °C
 接触电阻 Contact resistance: 30 mΩ max
 绝缘电阻 Insulation resistance: 1000 MΩ min
 耐电压 Withstanding voltage: 1000 VAC/minute

针座 Wafer

Pin	尺寸 Size(mm)		
	Dim.A	Dim.B	Dim.C
14	38.10	36.07	33.02
11	30.48	28.45	25.40
10	27.94	25.91	22.86
9	25.40	23.37	20.32
2	7.62	5.59	2.54

25411-nAW



C2001 Series

技术参数 Main specifications

规格单位 Specifications unit: mm

额定电流 Current rating: 2A AC/DC

额定电压 Voltage rating: 125V AC/DC

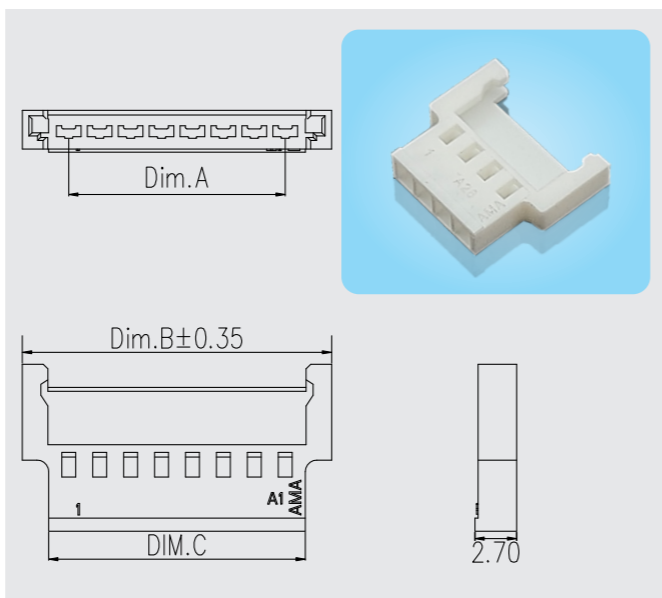
适用温度 Temperature range: -25 °C to +85 °C

接触电阻 Contact resistance: 30 mΩ max

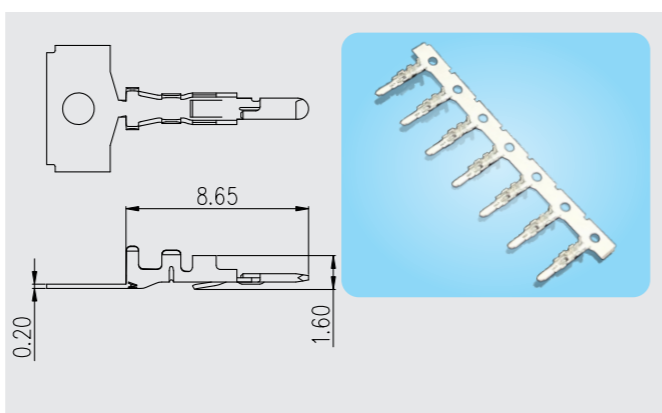
绝缘电阻 Insulation resistance: 1000 MΩ min

耐电压 Withstanding voltage: 500 VAC/minute

C2001-nY



C2001-T



孔座 Housing

Pin	尺寸 Size(mm)		
	Dim.A	Dim.B	Dim.C
13	24.00	30.00	26.60
12	22.00	28.00	24.60
11	20.00	26.00	22.60
10	18.00	24.00	20.60
9	16.00	22.00	18.60
8	14.00	20.00	16.60
7	12.00	18.00	14.60
6	10.00	16.00	12.60
5	8.00	14.00	10.60
4	6.00	12.00	8.60
3	4.00	10.00	6.60
2	2.00	8.00	4.60

C2002 Series

技术参数 Main specifications

规格单位 Specifications unit: mm

额定电流 Current rating: 2A AC/DC

额定电压 Voltage rating: 125V AC/DC

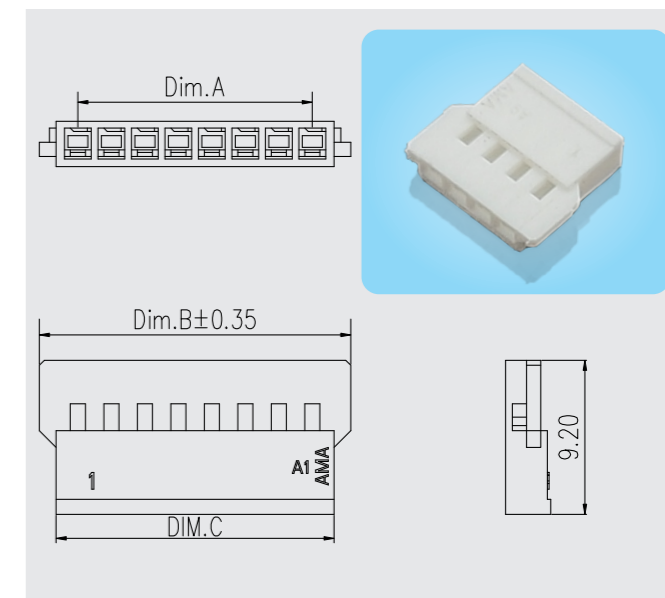
适用温度 Temperature range: -25 °C to +85 °C

接触电阻 Contact resistance: 30 mΩ max

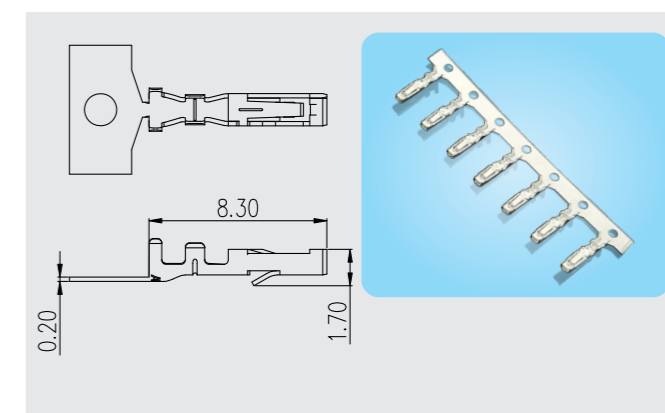
绝缘电阻 Insulation resistance: 1000 MΩ min

耐电压 Withstanding voltage: 500 VAC/minute

C2002-nY



C2002-T

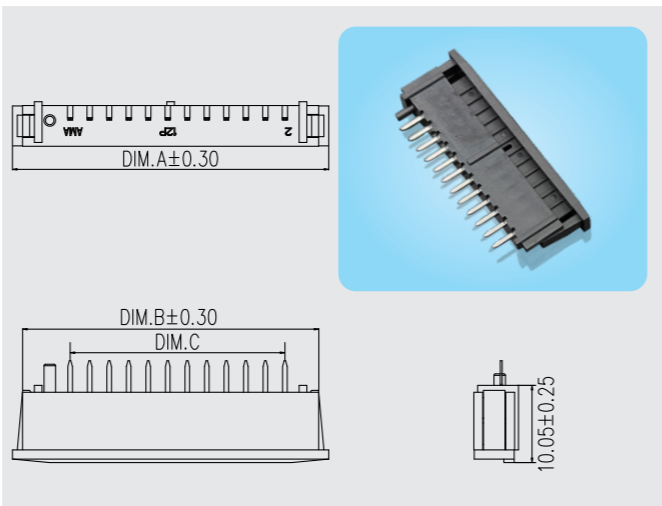


孔座 Housing

Pin	尺寸 Size(mm)		
	Dim.A	Dim.B	Dim.C
13	24.00	28.60	26.60
12	22.00	26.60	24.60
11	20.00	24.60	22.60
10	18.00	22.60	20.60
9	16.00	20.60	18.60
8	14.00	18.60	16.60
7	12.00	16.60	14.60
6	10.00	14.60	12.60
5	8.00	12.60	10.60
4	6.00	10.60	8.60
3	4.00	8.60	6.60
2	2.00	6.60	4.60

FPC2541 Series

FPC2541-nA



技术参数 Main specifications

规格单位 Specifications unit: mm

额定电流 Current rating: 1A AC/DC

额定电压 Voltage rating: 250V AC/DC

适用温度 Temperature range: -25 °C to +85 °C

接触电阻 Contact resistance: 30 mΩ max

绝缘电阻 Insulation resistance: 1000 MΩ min

耐电压 Withstanding voltage: 500 VAC/minute

针座 Wafer

Pin	尺寸 Size(mm)		
	Dim.A	Dim.B	Dim.C
12	41.16	38.54	27.94
10	36.08	33.46	22.86
8	31.00	28.38	17.78

EH Series

技术参数 Main specifications

规格单位 Specifications unit: mm

额定电流 Current rating: 3A AC/DC

额定电压 Voltage rating: 250V AC/DC

适用温度 Temperature range: -25 °C to +85 °C

接触电阻 Contact resistance: 30 mΩ max

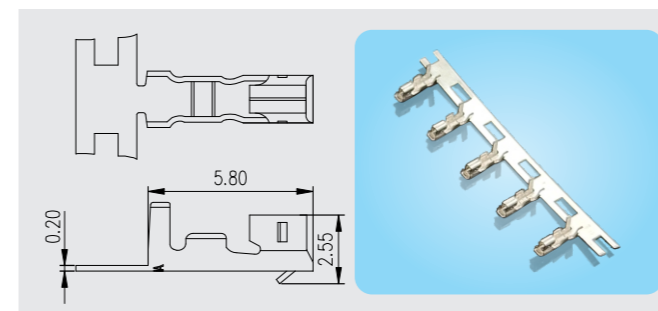
绝缘电阻 Insulation resistance: 1000 MΩ min

耐电压 Withstanding voltage: 1000 VAC/minute

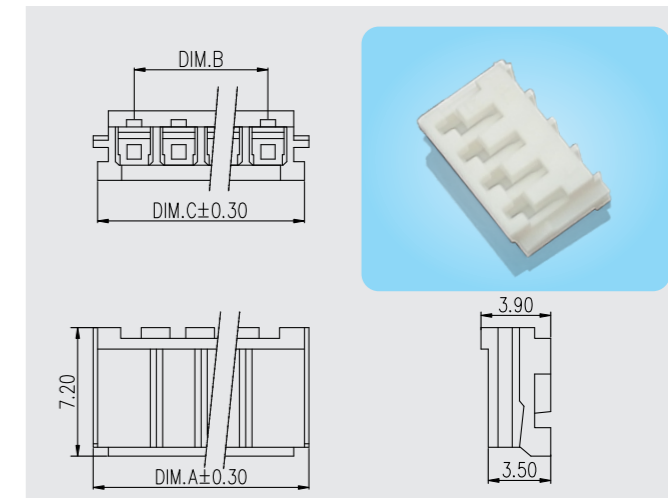
孔座 Housing

Pin	尺寸 Size(mm)		
	Dim.A	Dim.B	Dim.C
14	37.00	32.50	36.60
13	34.50	30.00	34.10
12	32.00	27.50	31.60
11	29.50	25.00	29.10
10	27.00	22.50	26.60
9	24.50	20.00	24.10
8	22.00	17.50	21.60
7	19.50	15.00	19.10
6	17.00	12.50	16.60
5	14.50	10.00	14.10
4	12.00	7.50	11.60
3	9.50	5.00	9.10
2	7.00	2.50	6.60

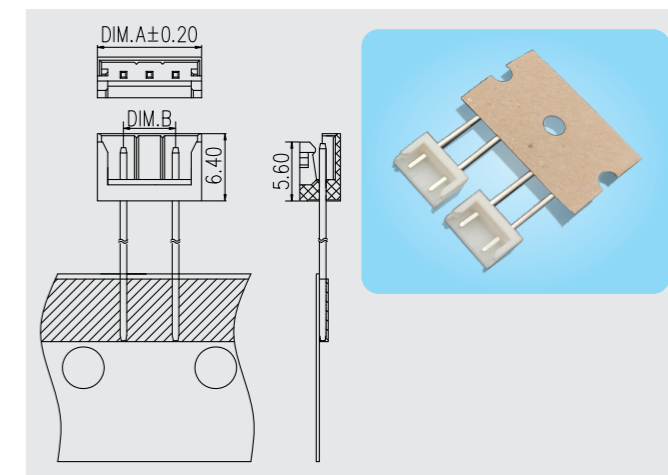
EH-T



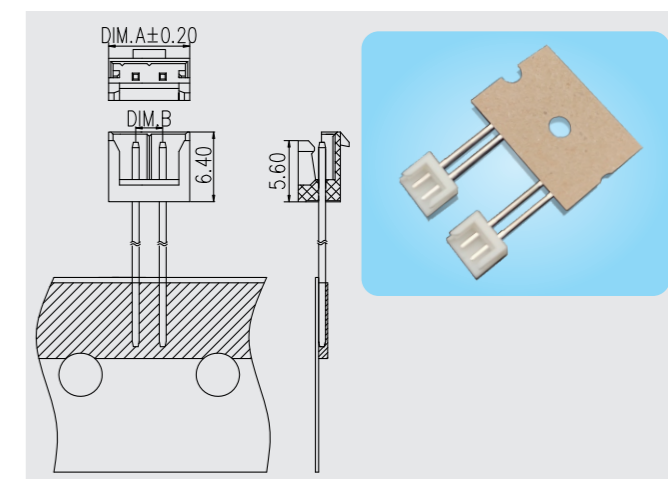
EH-nY



EH-nA纸编带 (Radial-tape)



EHD-nA纸编带 (Radial-tape)

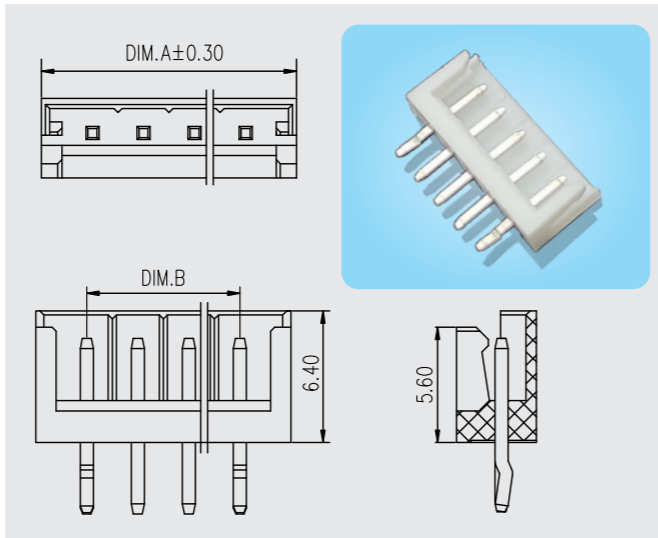


EH Series

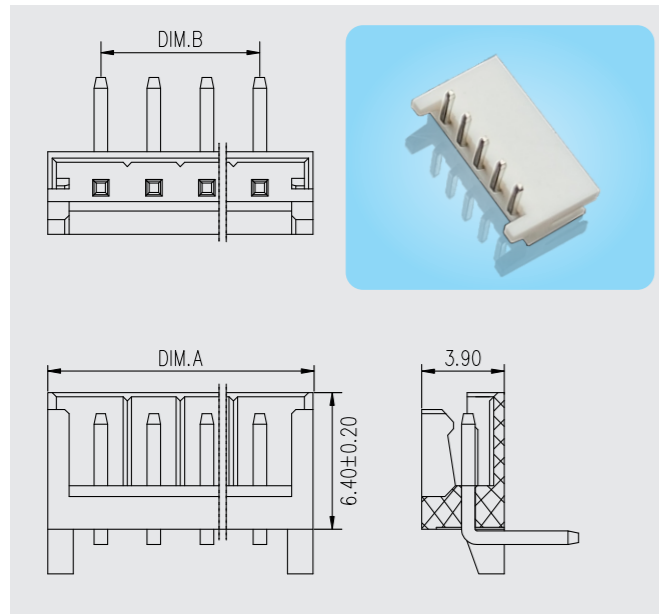
针座 Wafer

Pin	尺寸Size(mm)		Pin	尺寸Size(mm)	
	Dim.A	Dim.B		Dim.A	Dim.B
15	40.00	35.00	8	22.50	17.50
14	37.50	32.50	7	20.00	15.00
13	35.00	30.00	6	17.50	12.50
12	32.50	27.50	5	15.00	10.00
11	30.00	25.00	4	12.50	7.50
10	27.50	22.50	3	10.00	5.00
9	25.00	20.00	2	7.50	2.50

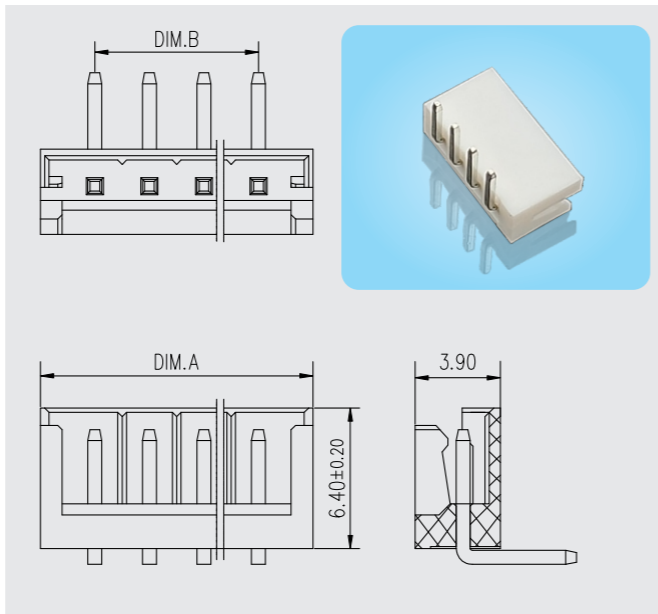
EH-nA



EH-nAW



EH-nAW不带定位 (without positioning)



JC20

JC20 Series

技术参数 Main specifications

规格单位 Specifications unit: mm

额定电流 Current rating: 2A AC/DC

额定电压 Voltage rating: 250V AC/DC

适用温度 Temperature range: -25 °C to +85 °C

接触电阻 Contact resistance: 30 mΩ max

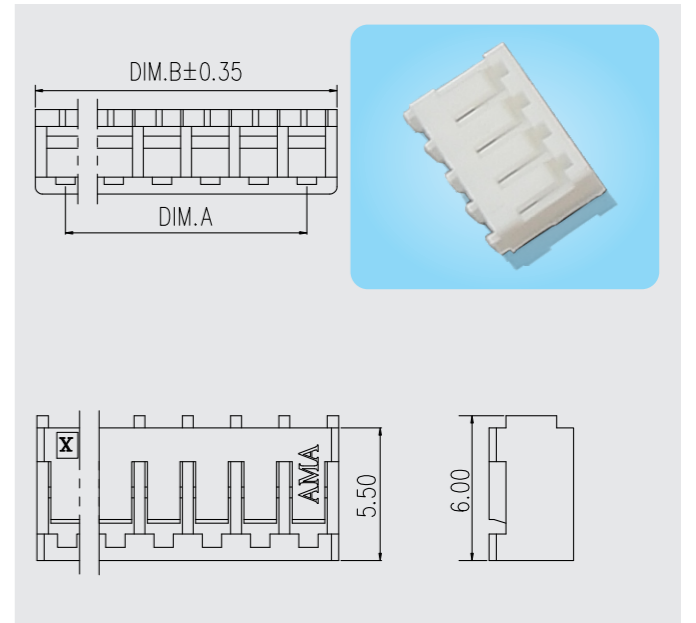
绝缘电阻 Insulation resistance: 1000 MΩ min

耐电压 Withstanding voltage: 1000 VAC/minute

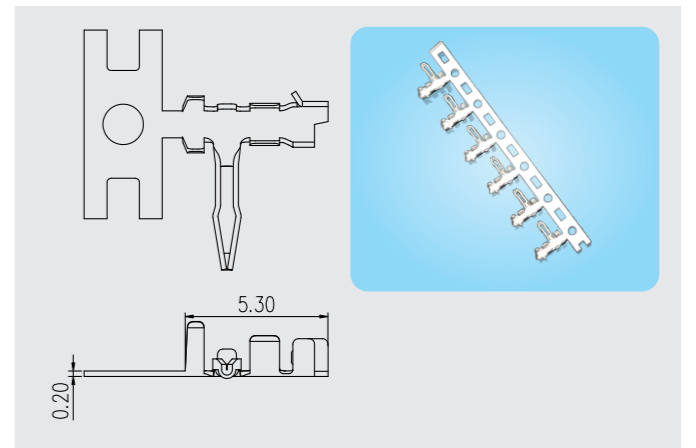
孔座 Housing

Pin	尺寸Size(mm)	
	Dim.A	Dim.B
14	26.00	28.50
13	24.00	26.50
12	22.00	24.50
11	20.00	22.50
10	18.00	20.50
9	16.00	18.50
8	14.00	16.50
7	12.00	14.50
6	10.00	12.50
5	8.00	10.50
4	6.00	8.50
3	4.00	6.50
2	2.00	4.50

JC20-nY



JC20-T



JC25 Series

技术参数 Main specifications

规格单位 Specifications unit: mm

额定电流 Current rating: 2A AC/DC

额定电压 Voltage rating: 250V AC/DC

适用温度 Temperature range: -25 °C to +85 °C

接触电阻 Contact resistance: 30 mΩ max

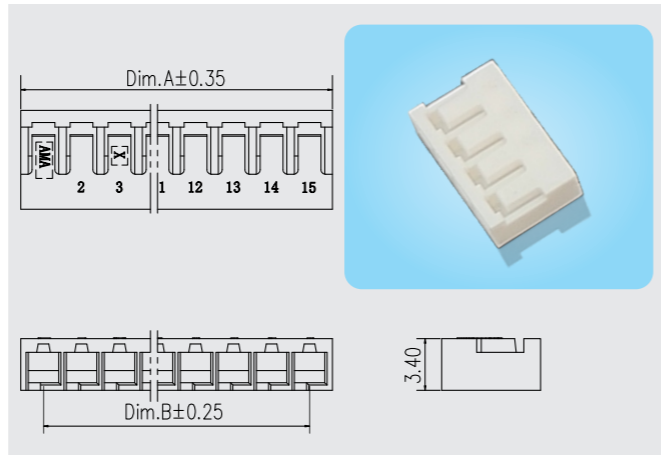
绝缘电阻 Insulation resistance: 1000 MΩ min

耐电压 Withstanding voltage: 1000 VAC/minute

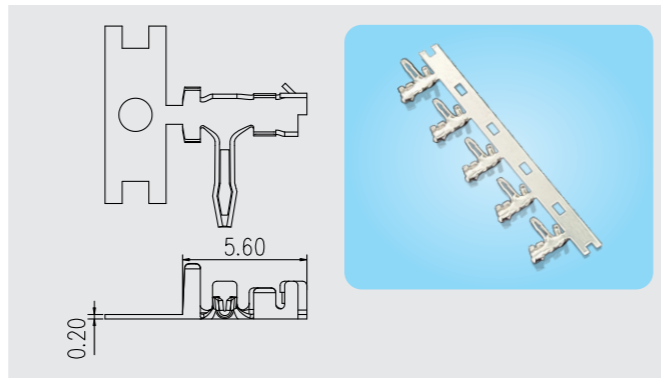
孔座 Housing

Pin	尺寸 Size(mm)	
	Dim.A	Dim.B
15	38.00	35.00
14	35.50	32.50
13	33.00	30.00
12	30.50	27.50
11	28.00	25.00
10	25.50	22.50
9	23.00	20.00
8	20.50	17.50
7	18.00	15.00
6	15.50	12.50
5	13.00	10.00
4	10.50	7.50
3	8.00	5.00
2	5.50	2.50

JC25-nY



JC25-T



PH Series

技术参数 Main specifications

规格单位 Specifications unit: mm

额定电流 Current rating: 2A AC/DC

额定电压 Voltage rating: 100V AC/DC

适用温度 Temperature range: -25 °C to +85 °C

接触电阻 Contact resistance: 30 mΩ max

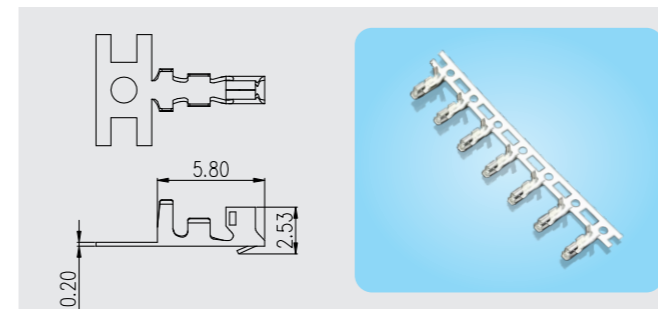
绝缘电阻 Insulation resistance: 1000 MΩ min

耐电压 Withstanding voltage: 800 VAC/minute

针座 Wafer

Pin	尺寸 Size(mm)		
	Dim.A	Dim.B	Dim.C
16	36.00	30.00	32.80
15	34.00	28.00	30.80
14	32.00	26.00	28.80
13	30.00	24.00	26.80
12	28.00	22.00	24.80
11	26.00	20.00	22.80
10	24.00	18.00	20.80
9	22.00	16.00	18.80
8	20.00	14.00	16.80
7	18.00	12.00	14.80
6	16.00	10.00	12.80
5	14.00	8.00	10.80
4	12.00	6.00	8.80
3	10.00	4.00	6.80
2	8.00	2.00	4.80

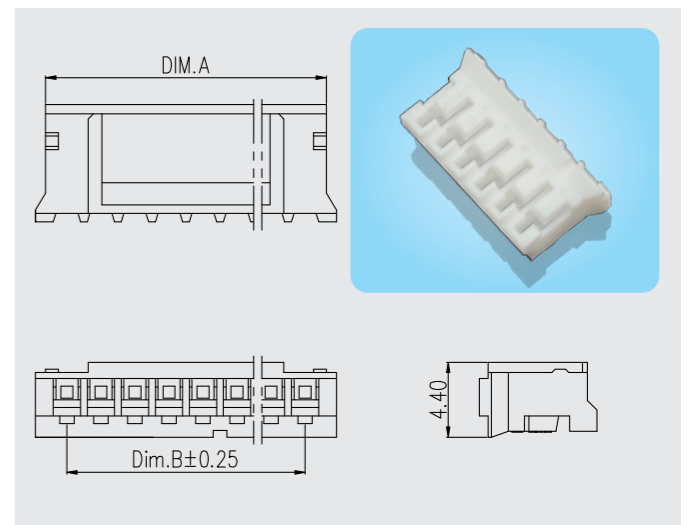
PH-T



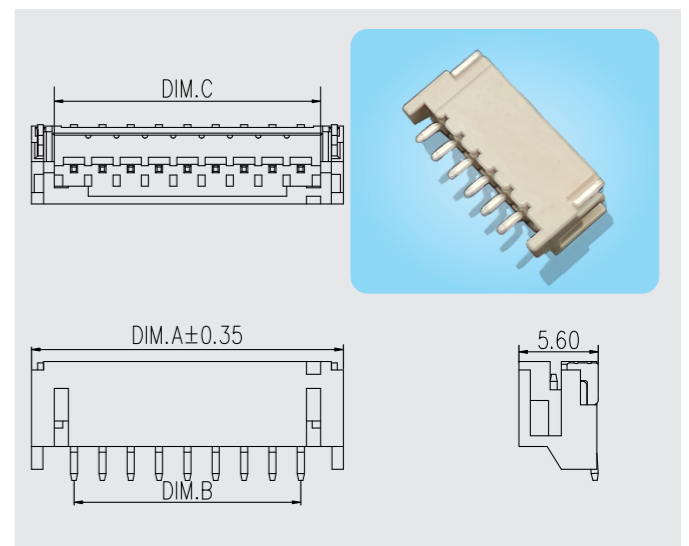
孔座 Housing

Pin	尺寸 Size(mm)		Pin	尺寸 Size(mm)	
	Dim.A	Dim.B		Dim.A	Dim.B
16	32.50	30.00	8	16.50	14.00
15	30.50	28.00	7	14.50	12.00
14	28.50	26.00	6	12.50	10.00
13	26.50	24.00	5	10.50	8.00
12	24.50	22.00	4	8.50	6.00
11	22.50	20.00	3	6.50	4.00
10	20.50	18.00	2	4.50	2.00
9	18.50	16.00			

PH-nY



PH-nAW-S

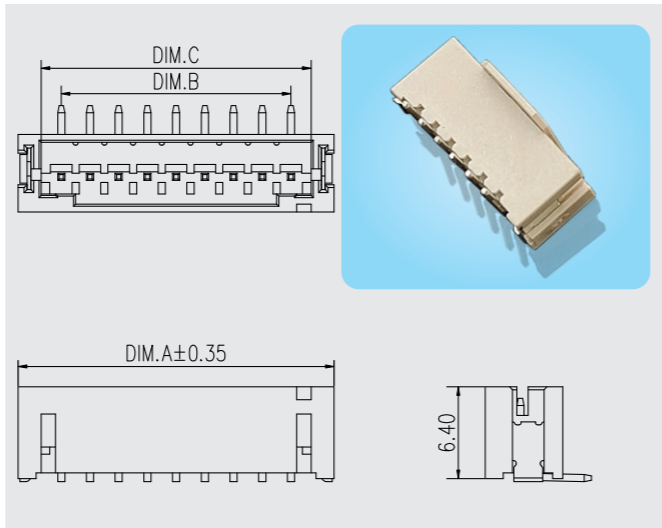


PH Series

针座 Wafer

Pin	尺寸Size(mm)		Pin	尺寸Size(mm)	
	Dim.A	Dim.B		Dim.A	Dim.B
16	34.00	30.00	8	18.00	14.00
15	32.00	28.00	7	16.00	12.00
14	30.00	26.00	6	14.00	10.00
13	28.00	24.00	5	12.00	8.00
12	26.00	22.00	4	10.00	6.00
11	24.00	20.00	3	8.00	4.00
10	22.00	18.00	2	6.00	2.00
9	20.00	16.00			

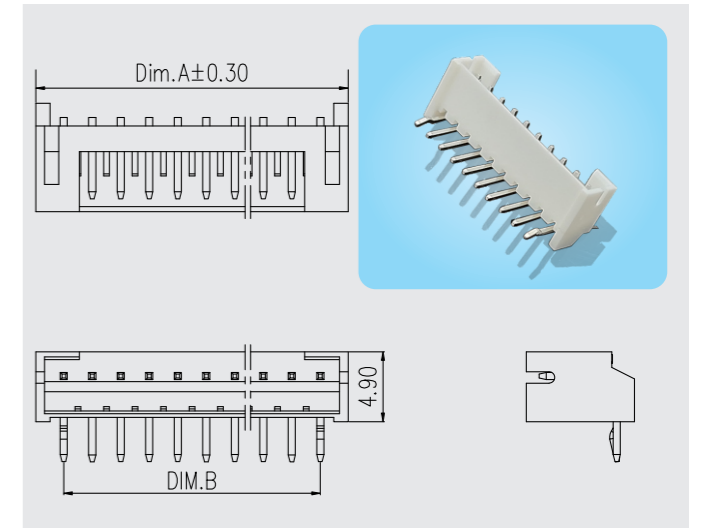
PH-nAV-S



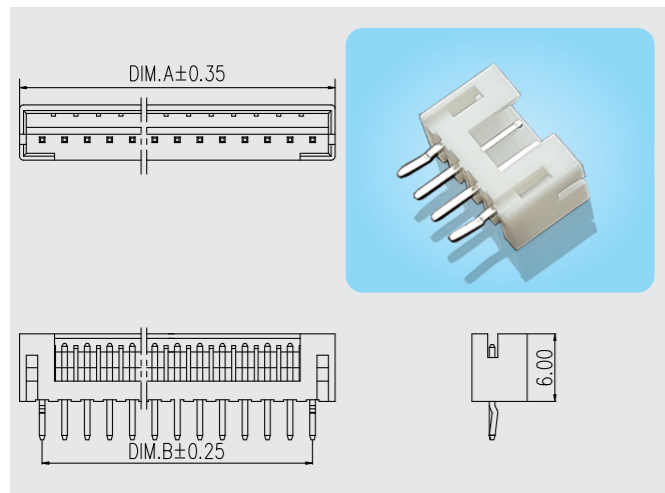
针座 Wafer

Pin	尺寸Size(mm)		Pin	尺寸Size(mm)	
	Dim.A	Dim.B		Dim.A	Dim.B
16	33.90	30.00	8	17.90	14.00
15	31.90	28.00	7	15.90	12.00
14	29.90	26.00	6	13.90	10.00
13	27.90	24.00	5	11.90	8.00
12	25.90	22.00	4	9.90	6.00
11	23.90	20.00	3	7.90	4.00
10	21.90	18.00	2	5.90	2.00
9	19.90	16.00			

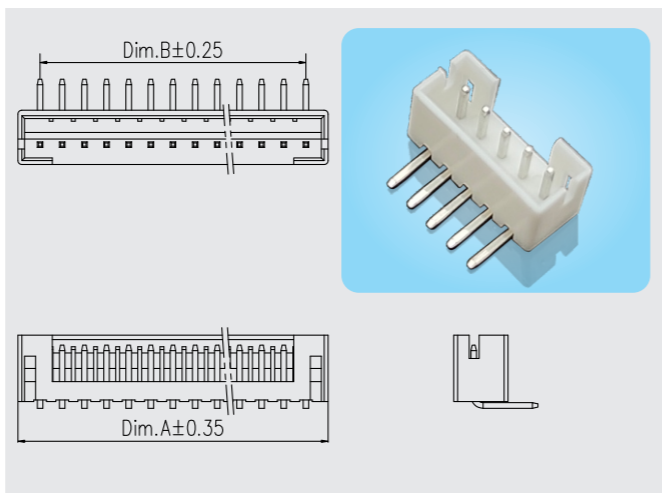
PH-nAW



PH-nA



PH-nAW不带定位 (without positioning)



PHB Series

技术参数 Main specifications

规格单位 Specifications unit: mm

额定电流 Current rating: 3A AC/DC

额定电压 Voltage rating: 250V AC/DC

适用温度 Temperature range: -25 °C to +85 °C

接触电阻 Contact resistance: 30 mΩ max

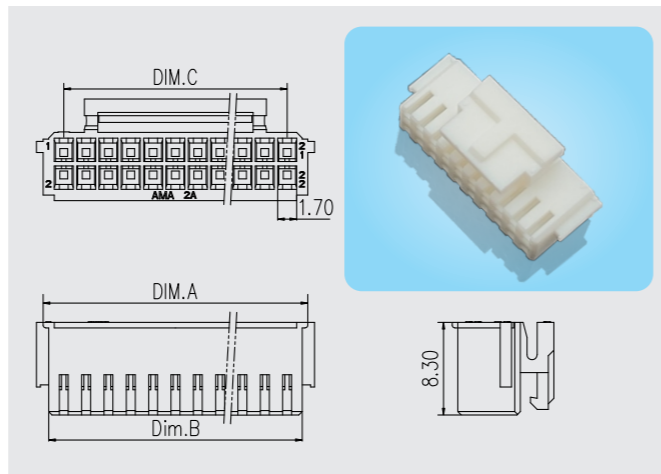
绝缘电阻 Insulation resistance: 1000 MΩ min

耐电压 Withstanding voltage: 1000 VAC/minute

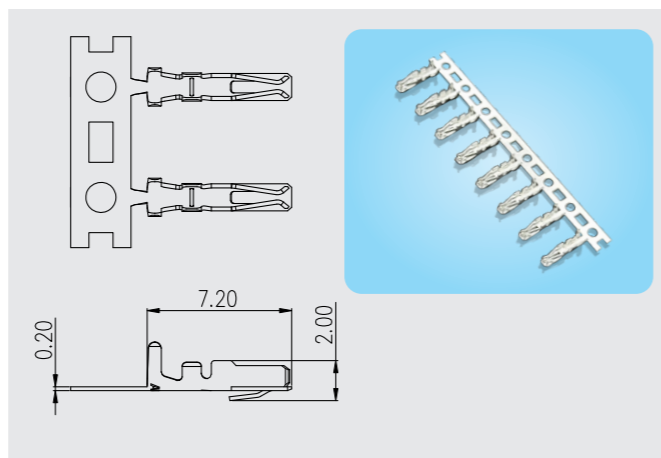
孔座 Housing

Pin	尺寸 Size(mm)		
	Dim.A	Dim.B	Dim.C
2x25	51.70	50.70	48.00
2x20	41.70	40.70	38.00
2x15	31.70	30.70	28.00
2x14	29.70	28.70	26.00
2x13	27.70	26.70	24.00
2x12	25.70	24.70	22.00
2x11	23.70	22.70	20.00
2x10	21.70	20.70	18.00
2x9	19.70	18.70	16.00
2x8	17.70	16.70	14.00
2x7	15.70	14.70	12.00
2x6	13.70	12.70	10.00
2x5	11.70	10.70	8.00
2x4	9.70	8.70	6.00
2x3	7.70	6.70	4.00
2x2	5.70	4.70	2.00

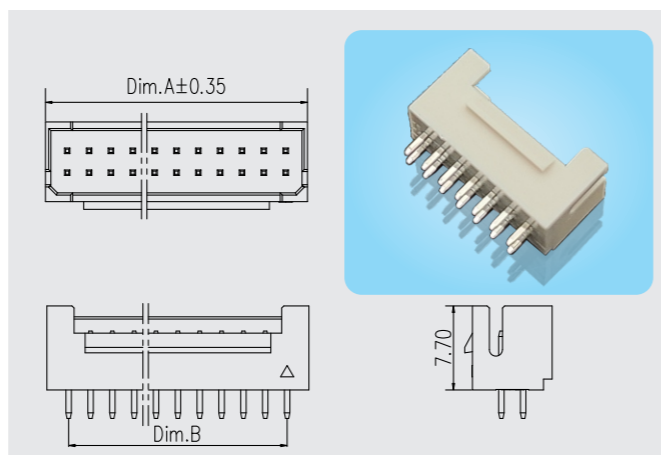
PHB-2*nY



PHB-T



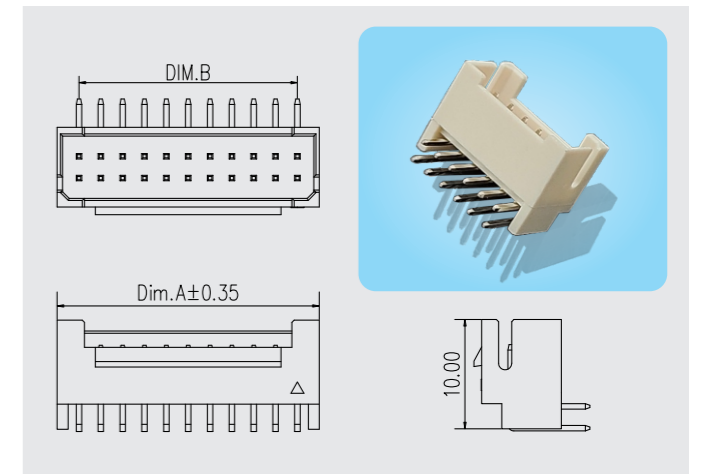
PHB-2*nA



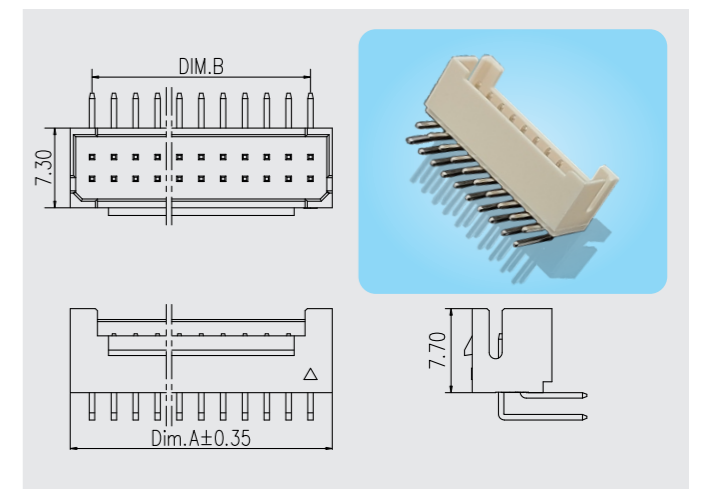
针座 Wafer

Pin	尺寸 Size(mm)	
	Dim.A	Dim.B
2x25	52.00	48.00
2x20	42.00	38.00
2x15	32.00	28.00
2x14	30.00	26.00
2x13	28.00	24.00
2x12	26.00	22.00
2x11	24.00	20.00
2x9	20.00	16.00
2x8	18.00	14.00
2x7	16.00	12.00
2x6	14.00	10.00
2x5	12.00	8.00
2x4	10.00	6.00
2x3	8.00	4.00
2x2	6.00	2.00

PHB-2*nAW



PHB-2*nAW不带定位 (without positioning)



PHC Series

技术参数 Main specifications

规格单位 Specifications unit: mm

额定电流 Current rating: 3A AC/DC

额定电压 Voltage rating: 250V AC/DC

适用温度 Temperature range: -25 °C to +85 °C

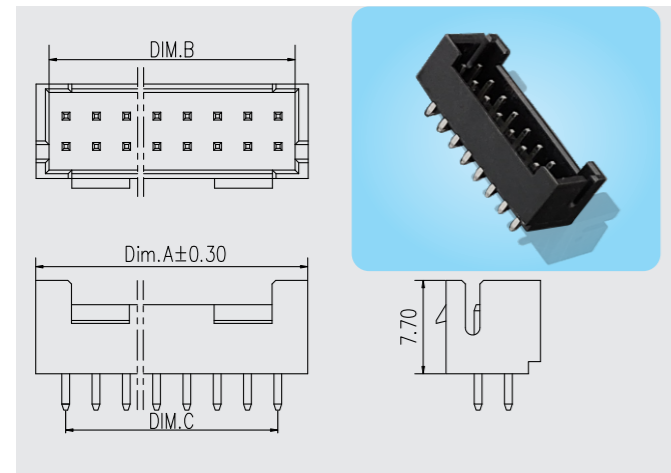
接触电阻 Contact resistance: 30 mΩ max

绝缘电阻 Insulation resistance: 1000 MΩ min

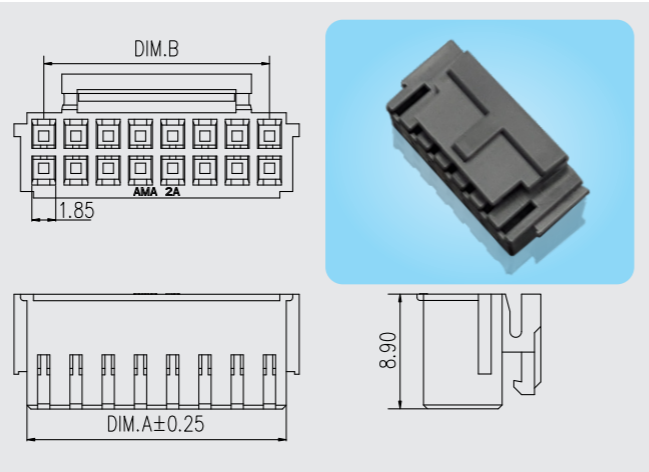
耐电压 Withstanding voltage: 1000 VAC/minute

孔座 Housing			针座 Wafer		
Pin	尺寸 Size(mm)		Pin	尺寸 Size(mm)	
	Dim.A	Dim.B		Dim.A	Dim.B
2x10	25.10	22.50	2x10	27.45	22.50
2x9	22.60	20.00	2x9	24.95	20.00
2x8	20.10	17.50	2x8	22.45	17.50
2x7	17.60	15.00	2x7	19.95	15.00

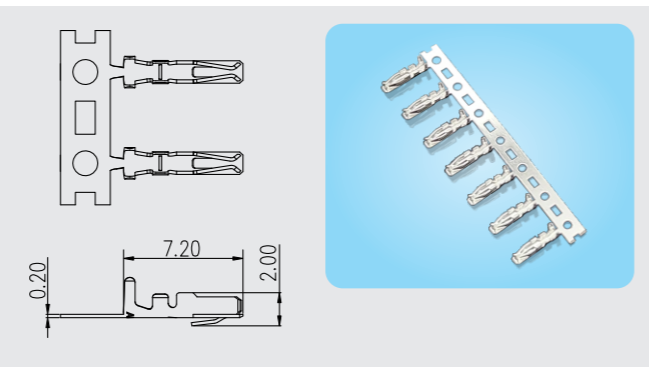
PHC-2*nA



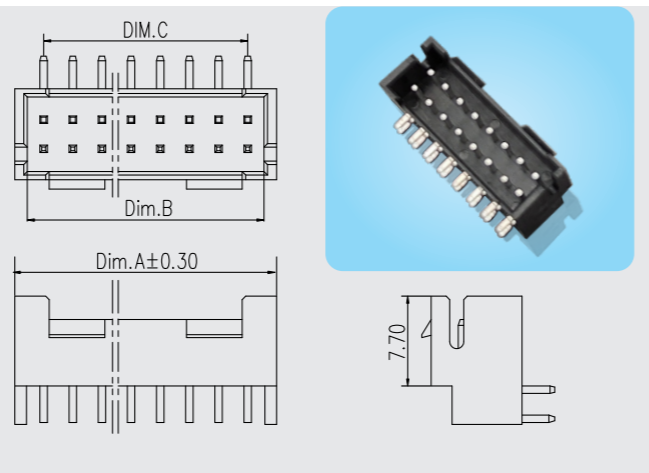
PHC-2*nY



PHB-T



PHC-2*nAW



PHE Series

技术参数 Main specifications

规格单位 Specifications unit: mm

额定电流 Current rating: 3A AC/DC

额定电压 Voltage rating: 250V AC/DC

适用温度 Temperature range: -25 °C to +85 °C

接触电阻 Contact resistance: 30 mΩ max

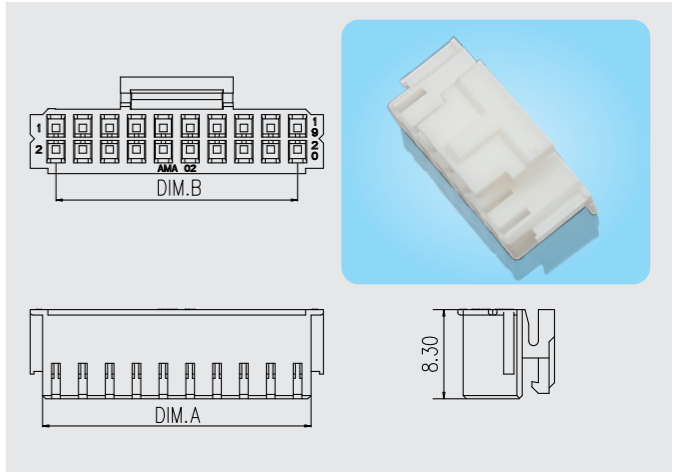
绝缘电阻 Insulation resistance: 1000 MΩ min

耐电压 Withstanding voltage: 1000 VAC/minute

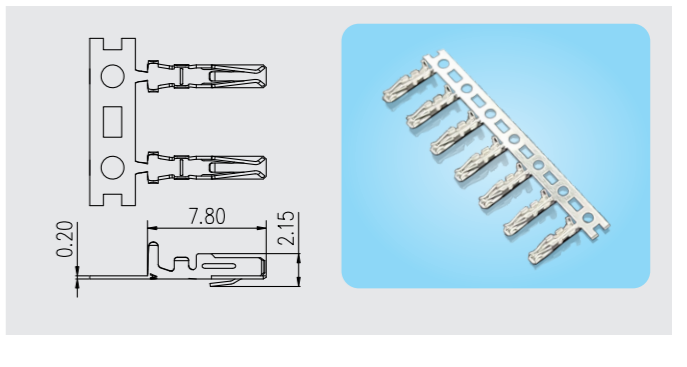
孔座 Housing		
Pin	尺寸 Size(mm)	
	Dim.A	Dim.B
2x13	32.50	30.00
2x10	25.00	22.50
2x8	20.00	17.50
2x5	12.50	10.00
2x4	10.00	7.50

针座 Wafer		
Pin	尺寸 Size(mm)	
	Dim.A	Dim.B
2x13	34.95	30.00
2x10	27.45	22.50
2x8	22.45	17.50
2x7	19.95	15.00
2x5	14.95	10.00

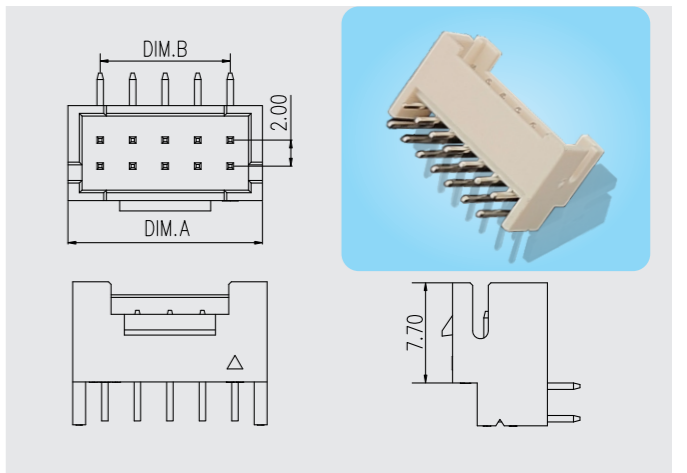
PHE-2*nY



PHB-T



PHE-2*nAW



SAN Series

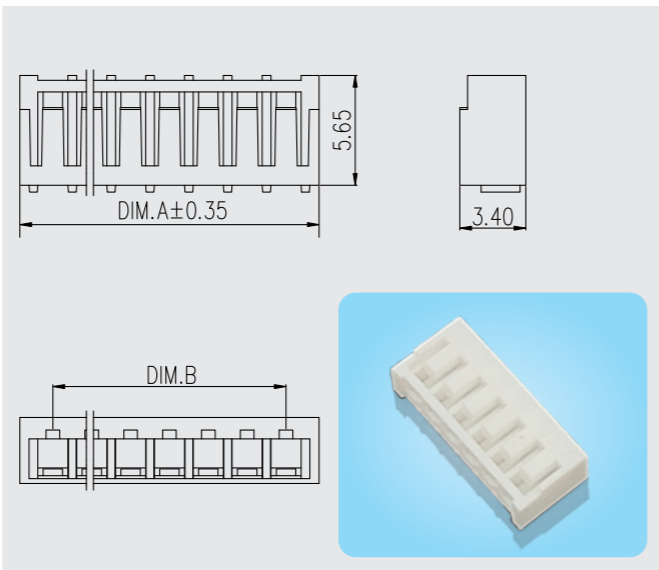
技术参数 Main specifications

- 规格单位 Specifications unit: mm
- 额定电流 Current rating: 2A AC/DC
- 额定电压 Voltage rating: 250V AC/DC
- 适用温度 Temperature range: -25 °C to +85 °C
- 接触电阻 Contact resistance: 30 mΩ max
- 绝缘电阻 Insulation resistance: 1000 MΩ min
- 耐电压 Withstanding voltage: 1000 VAC/minute

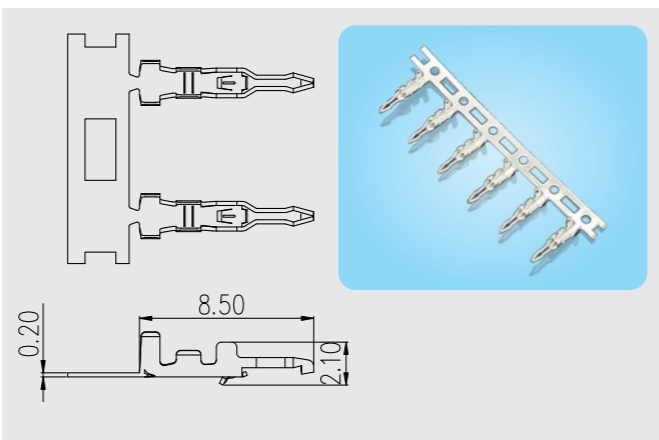
孔座 Housing

Pin	尺寸 Size(mm)		Pin	尺寸 Size(mm)	
	Dim.A	Dim.B		Dim.A	Dim.B
15	31.40	28.00	8	17.40	14.00
14	29.40	26.00	7	15.40	12.00
13	27.40	24.00	6	13.40	10.00
12	25.40	22.00	5	11.40	8.00
11	23.40	20.00	4	9.40	6.00
10	21.40	18.00	3	7.40	4.00
9	19.40	16.00	2	5.40	2.00

SAN-nY



SAN-T



SCN Series

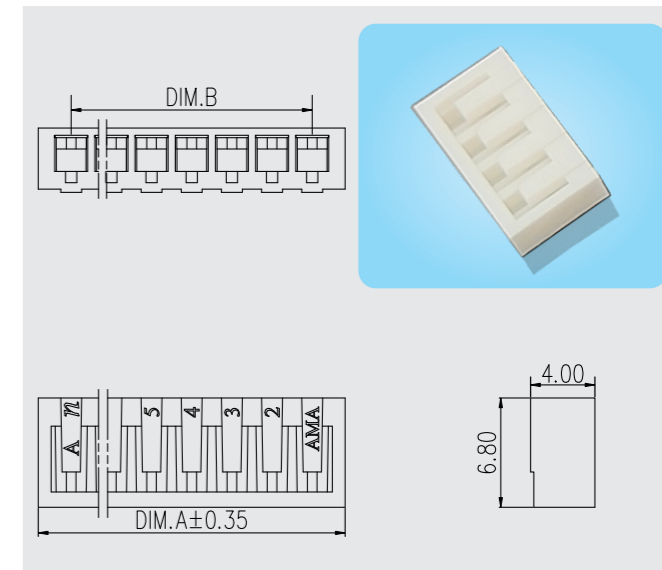
技术参数 Main specifications

- 规格单位 Specifications unit: mm
- 额定电流 Current rating: 2A AC/DC
- 额定电压 Voltage rating: 250V AC/DC
- 适用温度 Temperature range: -25 °C to +85 °C
- 接触电阻 Contact resistance: 30 mΩ max
- 绝缘电阻 Insulation resistance: 1000 MΩ min
- 耐电压 Withstanding voltage: 1000 VAC/minute

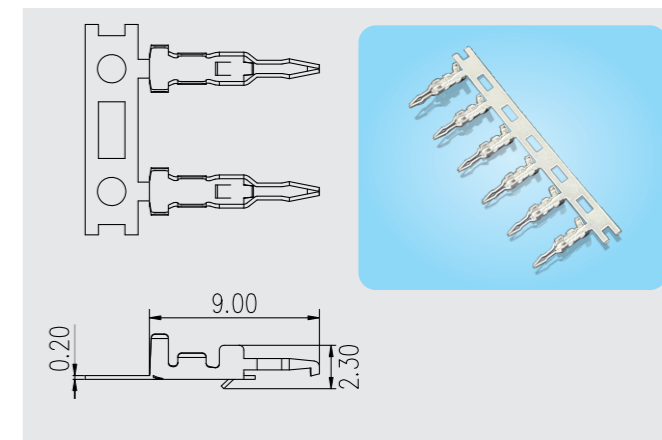
孔座 Housing

Pin	尺寸 Size(mm)		Pin	尺寸 Size(mm)	
	Dim.A	Dim.B		Dim.A	Dim.B
16	41.50	37.50	8	21.50	17.50
15	39.00	35.00	7	19.00	15.00
14	36.50	32.50	6	16.50	12.50
13	34.00	30.00	5	14.00	10.00
12	31.50	27.50	4	11.50	7.50
11	29.00	25.00	3	9.00	5.00
10	26.50	22.50	2	6.50	2.50
9	24.00	20.00			

SCN-nY



SCN-T





技术参数 Main specifications

- 规格单位 Specifications unit: mm
- 额定电流 Current rating: 3A AC/DC
- 额定电压 Voltage rating: 250V AC/DC
- 适用温度 Temperature range: -25 °C to +85 °C
- 接触电阻 Contact resistance: 30 mΩ max
- 绝缘电阻 Insulation resistance: 500 MΩ min
- 耐电压 Withstanding voltage: 1000 VAC/minute

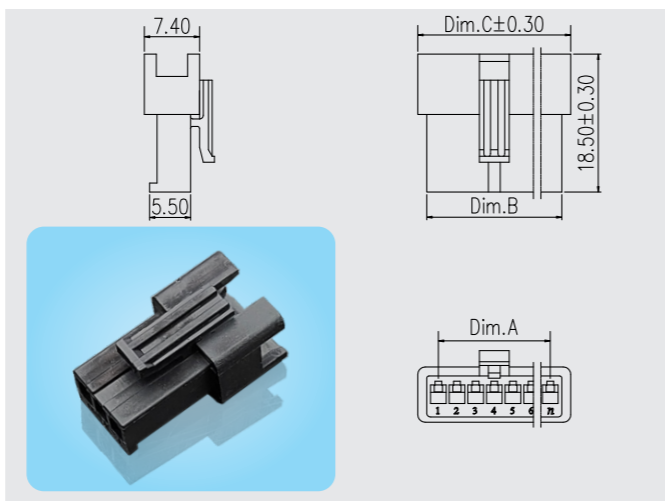
孔座 Housing

Pin	尺寸 Size(mm)		
	Dim.A	Dim.B	Dim.C
12	27.50	30.70	33.00
11	25.00	28.20	30.50
10	22.50	25.70	28.00
9	20.00	23.20	25.50
8	17.50	20.70	23.00
7	15.00	18.20	20.50
6	12.50	15.70	18.00
5	10.00	13.20	15.50
4	7.50	10.70	13.00
3	5.00	8.20	10.50
2	2.50	5.70	8.00

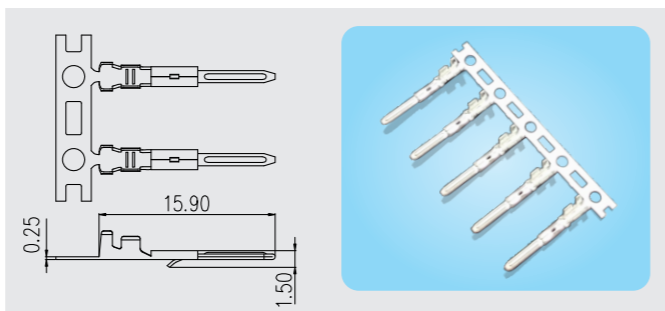
孔座 Housing

Pin	尺寸 Size(mm)	
	Dim.A	Dim.B
12	27.50	30.50
11	25.00	28.00
10	22.50	25.50
9	20.00	23.00
8	17.50	20.50
7	15.00	18.00
6	12.50	15.50
5	10.00	13.00
4	7.50	10.50
3	5.00	8.00
2	2.50	5.50

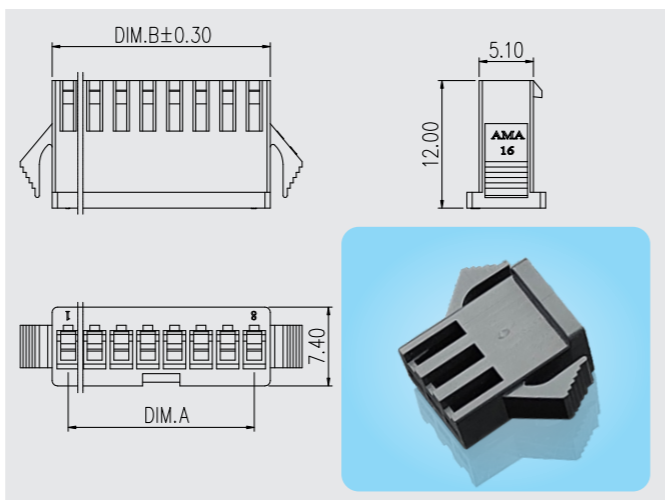
SM-nA



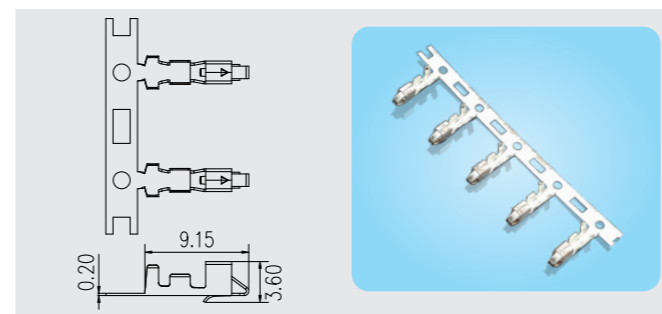
SM 针 (Pin)



SM-nY



SM-簧 (Reed)



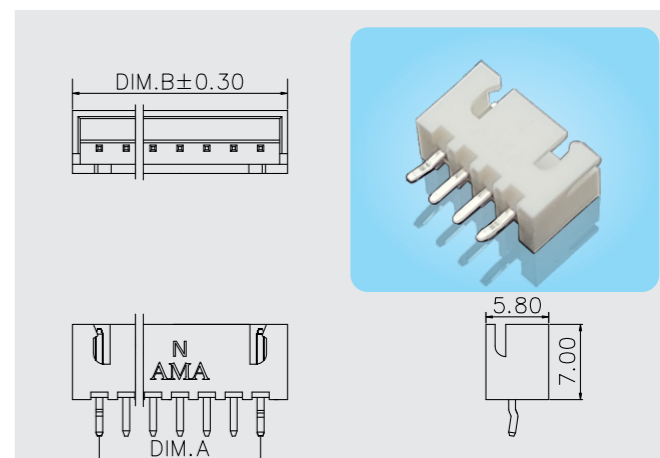
技术参数 Main specifications

- 规格单位 Specifications unit: mm
- 额定电流 Current rating: 3A AC/DC
- 额定电压 Voltage rating: 250V AC/DC
- 适用温度 Temperature range: -25 °C to +85 °C
- 接触电阻 Contact resistance: 30 mΩ max
- 绝缘电阻 Insulation resistance: 1000 MΩ min
- 耐电压 Withstanding voltage: 1000 VAC/minute

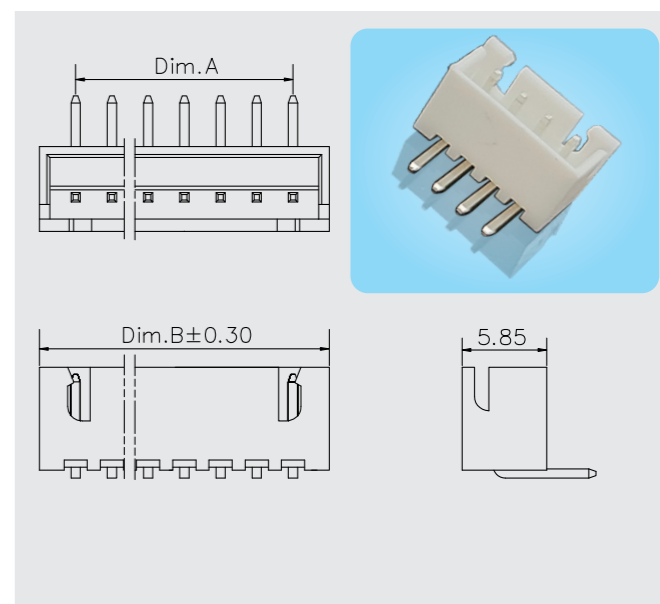
针座 Wafer

Pin	尺寸 Size(mm)		Pin	尺寸 Size(mm)	
	Dim.A	Dim.B		Dim.A	Dim.B
15	35.00	40.00	8	17.50	22.50
14	32.50	37.50	7	15.00	20.00
13	30.00	35.00	6	12.50	17.50
12	27.50	32.50	5	10.00	15.00
11	25.00	30.00	4	7.50	12.50
10	22.50	27.50	3	5.00	10.00
9	20.00	25.00	2	2.50	7.50

TJC3-nA

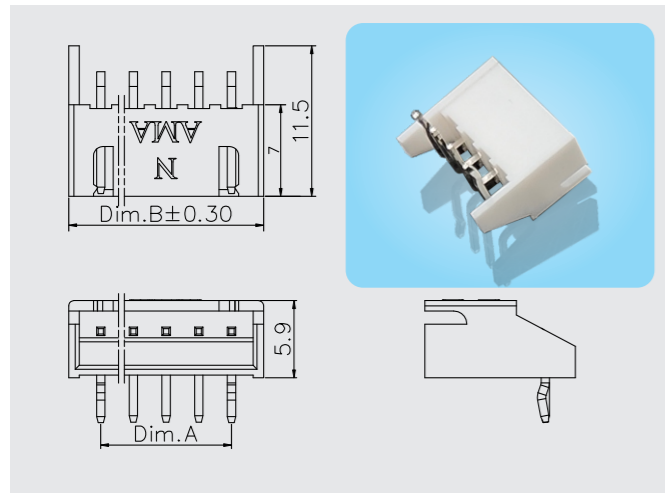


TJC3-nAW (不带定位) (without positioning)

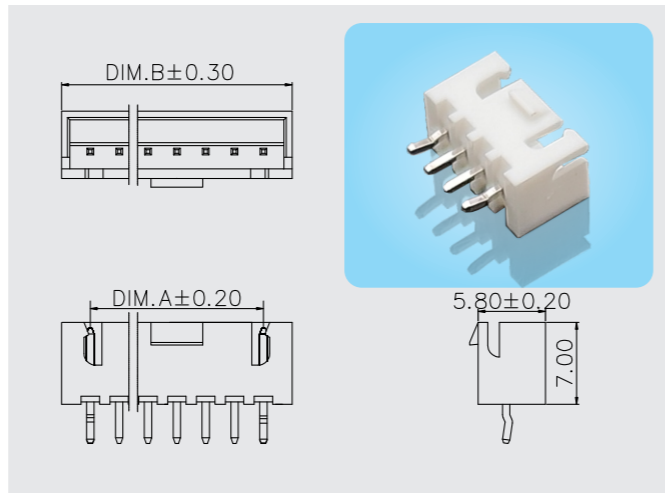


TJC3 Series

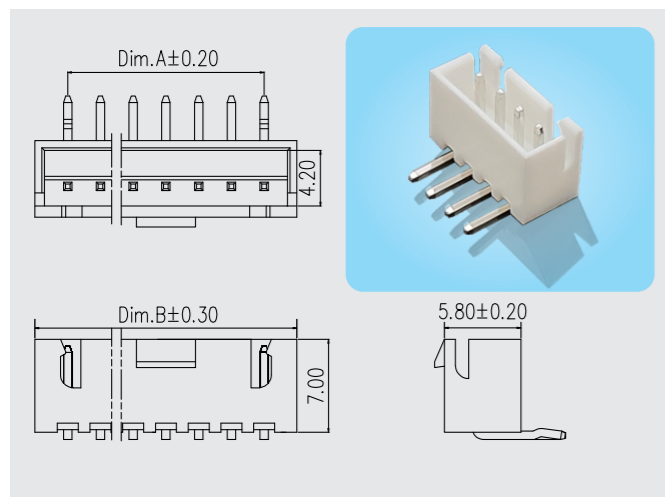
TJC3-nAW (带定位) (with positioning)



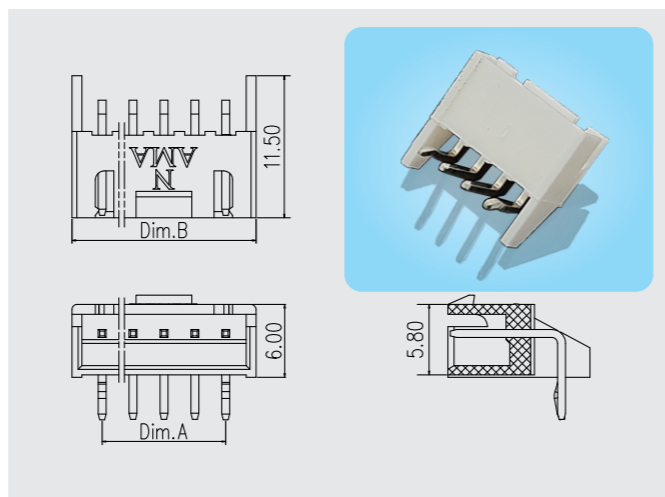
TJC3-nA-G



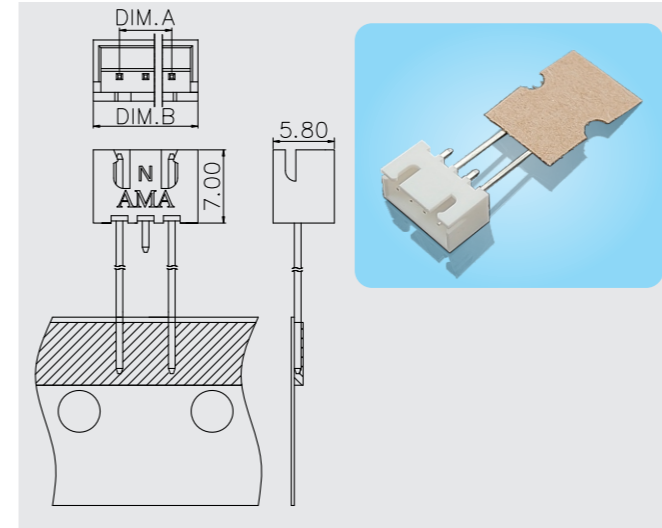
TJC3-nAW-G (不带定位) (without positioning)



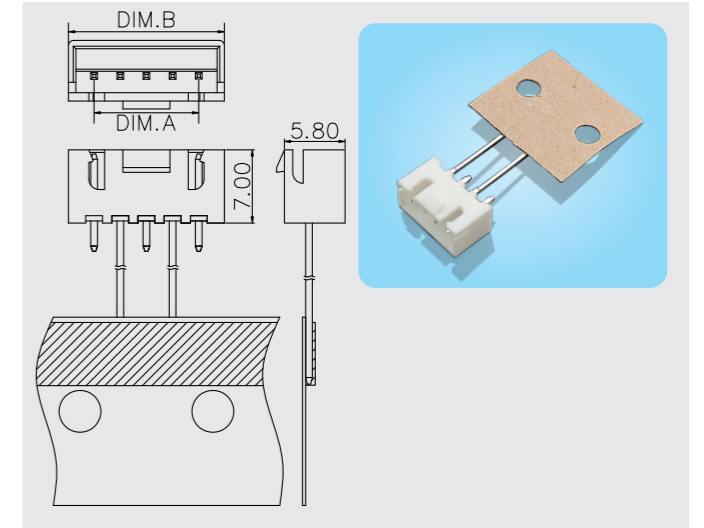
TJC3-nAW-G (带定位) (with positioning)



TJC3-nA纸编带 (Radial-tape)



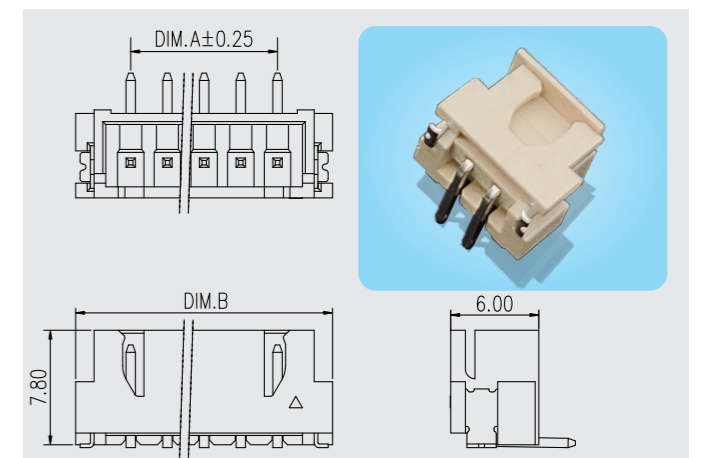
TJC3-nA-G纸编带 (Radial-tape)



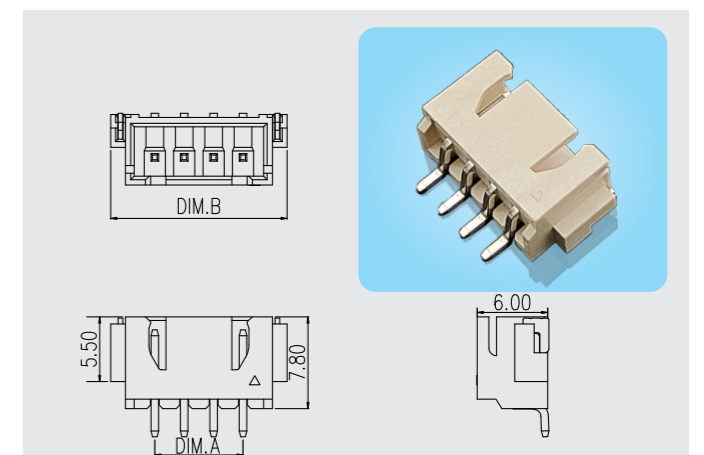
针座 Wafer

Pin	尺寸Size(mm)	
	Dim.A	Dim.B
14	32.50	40.00
13	30.00	37.50
12	27.50	35.00
11	25.00	32.50
10	22.50	30.00
9	20.00	27.50
8	17.50	25.00
7	15.00	22.50
6	12.50	20.00
5	10.00	17.50
4	7.50	15.00
3	5.00	12.50
2	2.50	10.00

TJC3-nAV-S



TJC3-nAW-S



TJC3 Series

孔座 Housing

Pin	尺寸Size(mm)	
	Dim.A	Dim.B
9	20.00	23.20
8	17.50	20.70
7	15.00	18.20
6	12.50	15.70
5	10.00	13.20
4	7.50	10.70
3	5.00	8.20

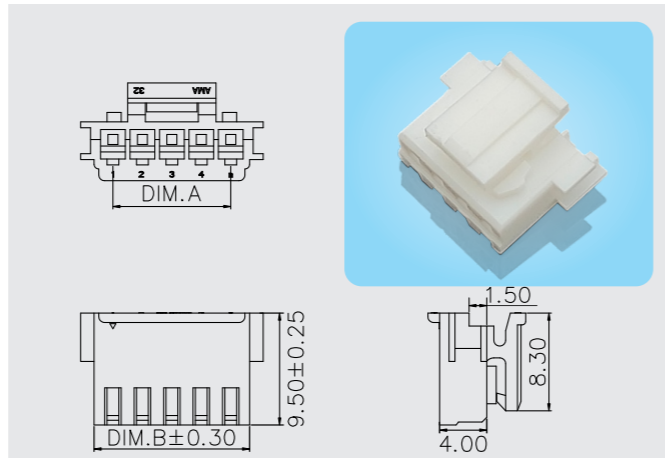
锁片 Locking Piece

Pin	尺寸Size(mm)	
	Dim.A	Dim.B
9	20.00	25.40
8	17.50	22.90
7	15.00	20.40
6	12.50	17.90
5	10.00	15.40
4	7.50	12.90
3	5.00	10.40
2	2.50	7.90

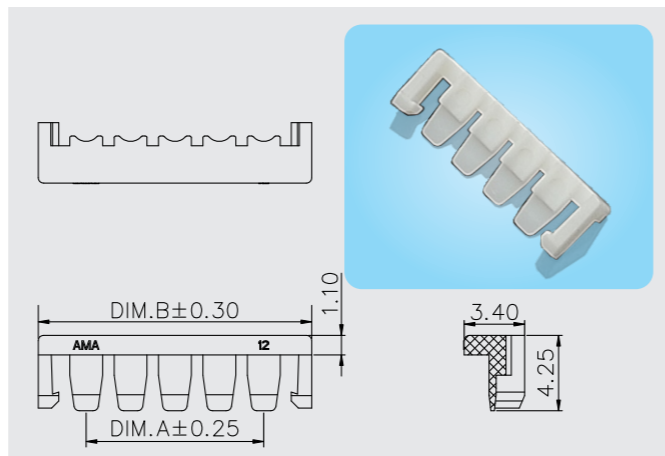
孔座 Housing

Pin	尺寸Size(mm)	
	Dim.A	Dim.B
16	37.50	40.70
15	35.00	38.20
14	32.50	35.70
13	30.00	33.20
12	27.50	30.70
11	25.00	28.20
10	22.50	25.70
9	20.00	23.20
8	17.50	20.70
7	15.00	18.20
6	12.50	15.70
5	10.00	13.20
4	7.50	10.70
3	5.00	8.20
2	2.50	5.70

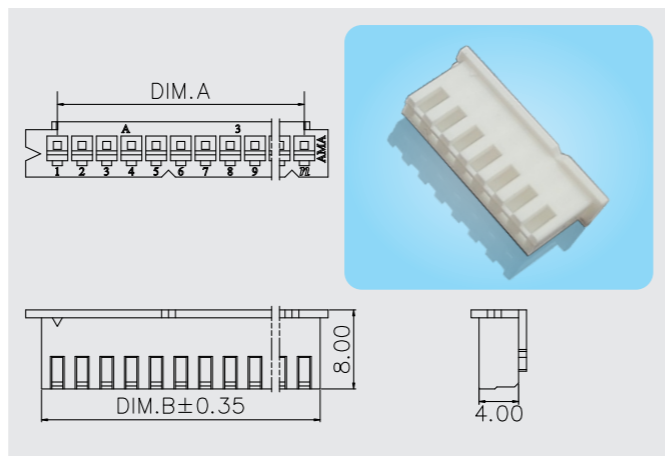
TJC3-nY-G-A



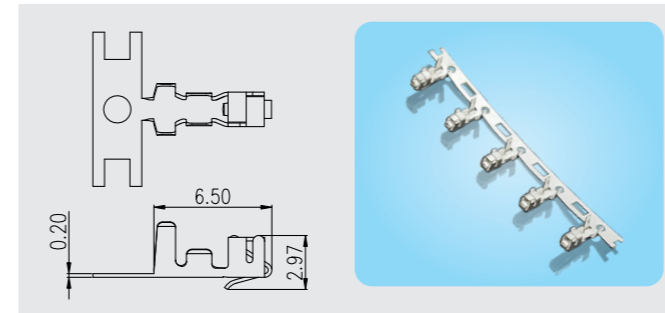
TJC3-nY-G-A锁片 (locking plate)



TJC3-nY



TJC3A28T-T



TJC3B Series

技术参数 Main specifications

规格单位 Specifications unit: mm

额定电流 Current rating: 3A AC/DC

额定电压 Voltage rating: 250V AC/DC

适用温度 Temperature range: -25 °C to +85 °C

接触电阻 Contact resistance: 30 mΩ max

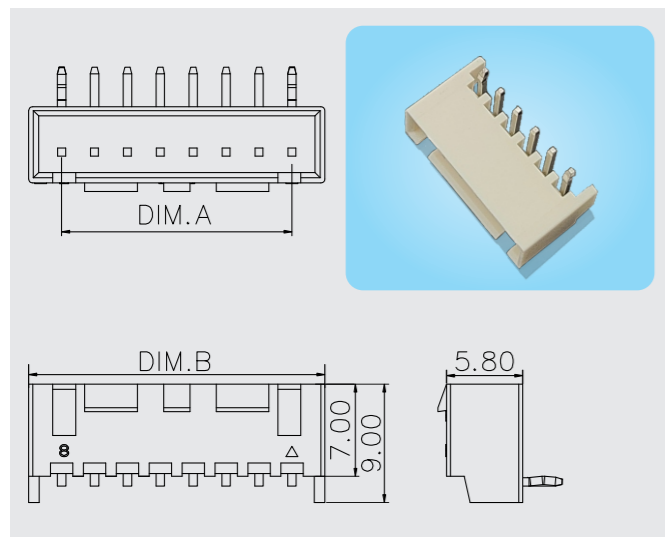
绝缘电阻 Insulation resistance: 1000 MΩ min

耐电压 Withstanding voltage: 1000 VAC/minute

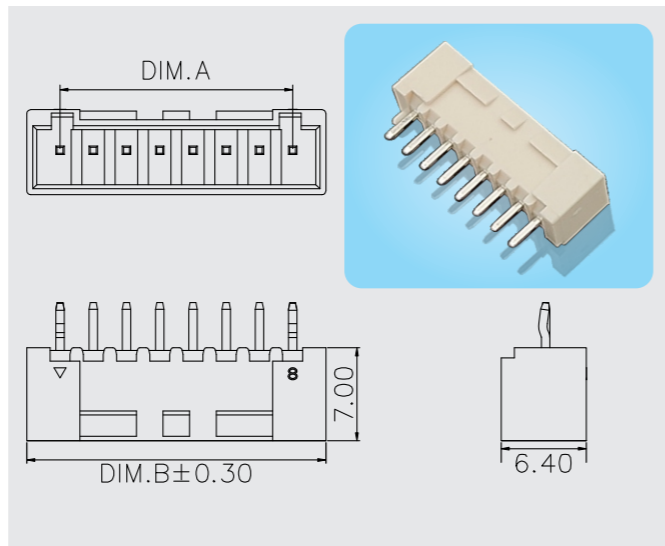
针座 Wafer

Pin	尺寸 Size (mm)		Pin	尺寸 Size (mm)	
	Dim.A	Dim.B		Dim.A	Dim.B
15	35.00	40.00	8	17.50	22.50
14	32.50	37.50	7	15.00	20.00
13	30.00	35.00	6	12.50	17.50
12	27.50	32.50	5	10.00	15.00
11	25.00	30.00	4	7.50	12.50
10	22.50	27.50	3	5.00	10.00
9	20.00	25.00	2	2.50	7.50

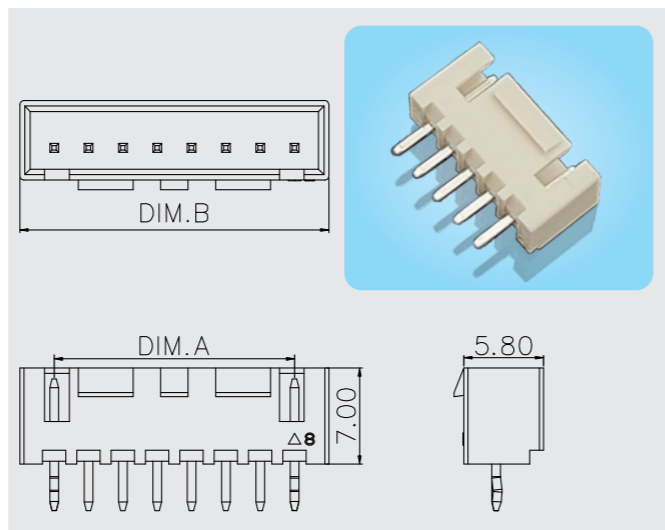
TJC3B-nAW (带定位) (with positioning)



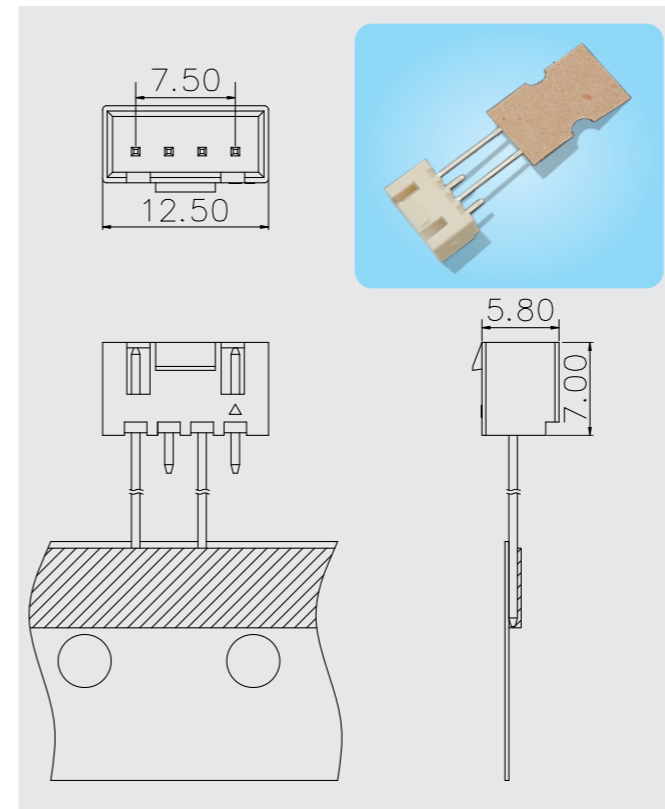
TJC3B-nA (封闭式) (Closed type)



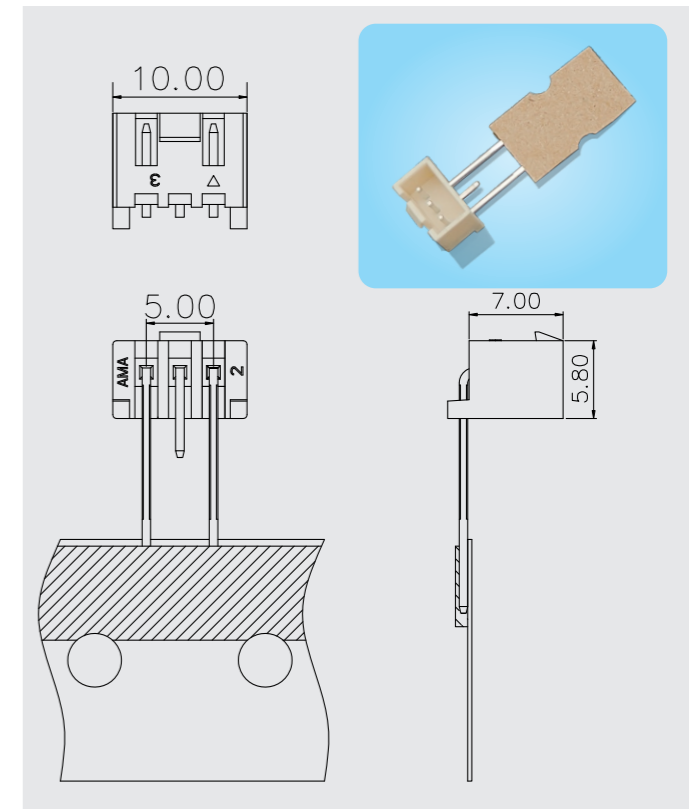
TJC3B-nA



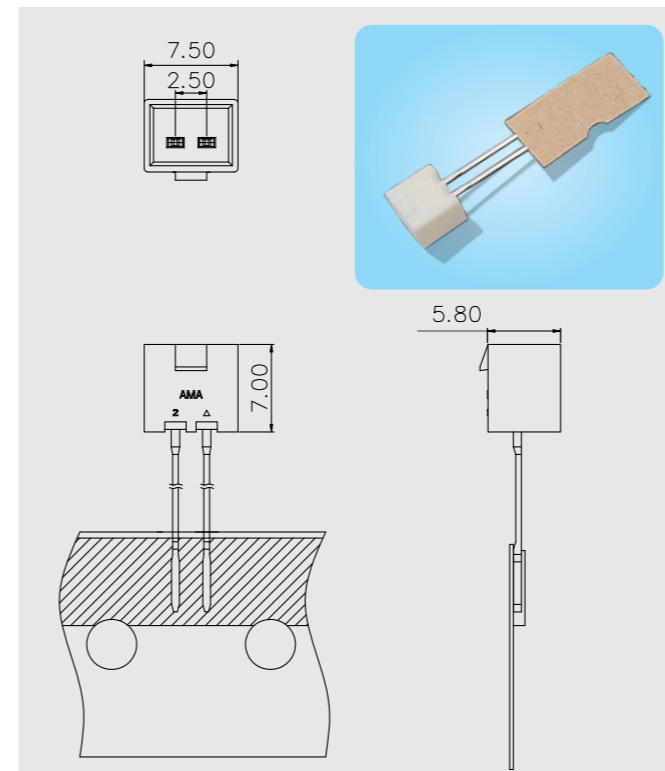
TJC3B-nA纸编带 (Radial-tape)



TJC3B-nAW纸编带 (Radial-tape)



TJC3B-2A-A纸编带 (Radial-tape)

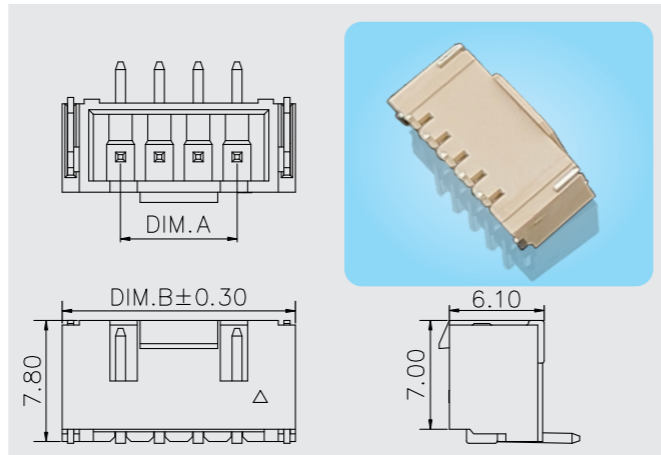


TJC3B Series

针座 Wafer

Pin	尺寸Size(mm)		Pin	尺寸Size(mm)	
	Dim.A	Dim.B		Dim.A	Dim.B
15	35.00	42.50	8	17.50	25.00
14	32.50	40.00	7	15.00	22.50
13	30.00	37.50	6	12.50	20.00
12	27.50	35.00	5	10.00	17.50
11	25.00	32.50	4	7.50	15.00
10	22.50	30.00	3	5.00	12.50
9	20.00	27.50	2	2.50	10.00

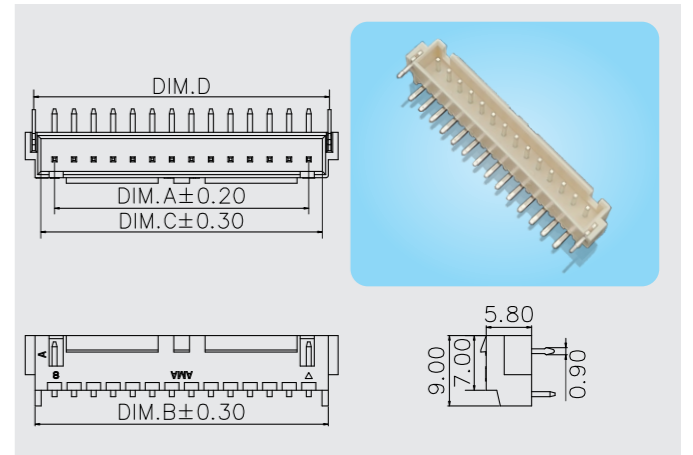
TJC3B-nAV-S



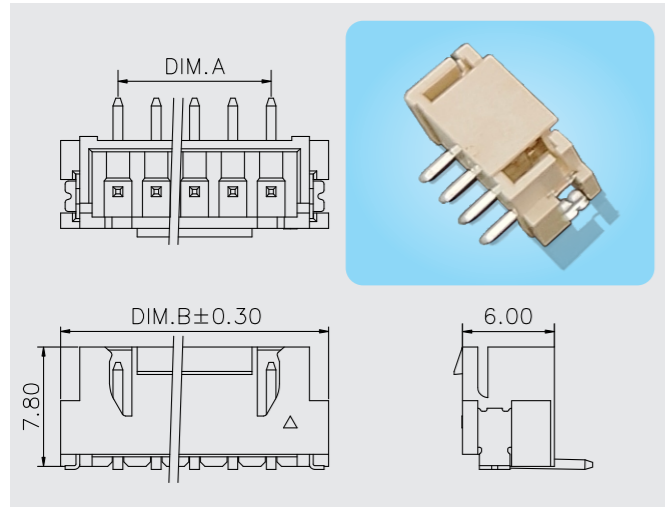
针座 Wafer

Pin	尺寸Size(mm)			
	Dim.A	Dim.B	Dim.C	Dim.D
15	35.00	40.00	38.50	40.30
14	32.50	37.50	36.00	37.80

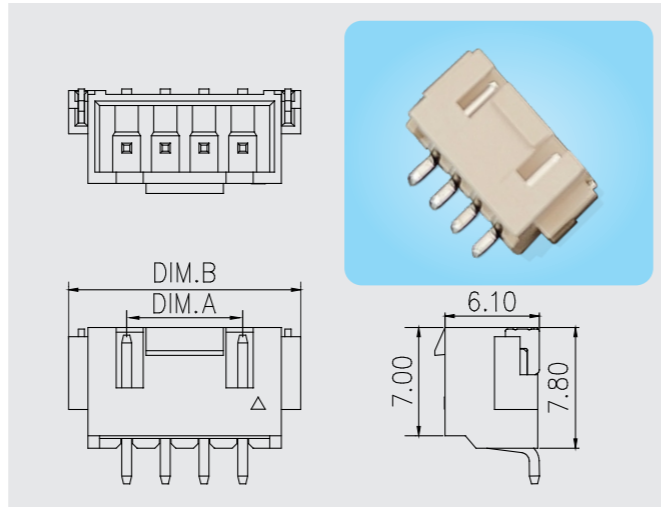
TJC3B-nAW-D



TJC3B-nAV-S-A



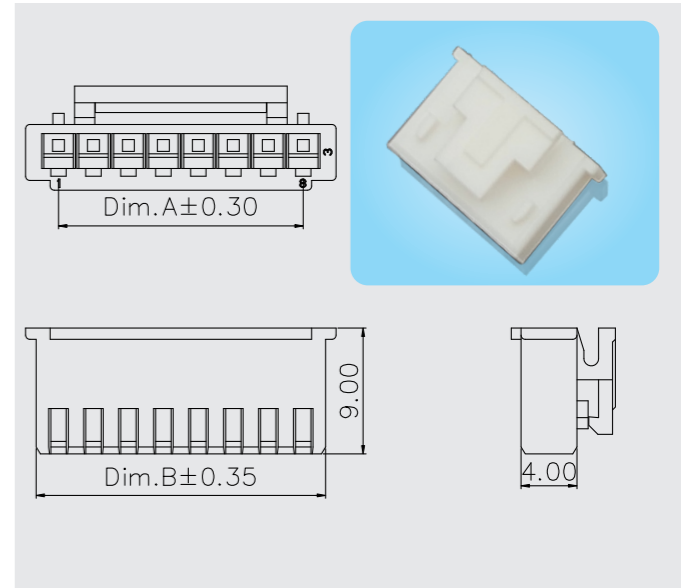
TJC3B-nAW-S-02



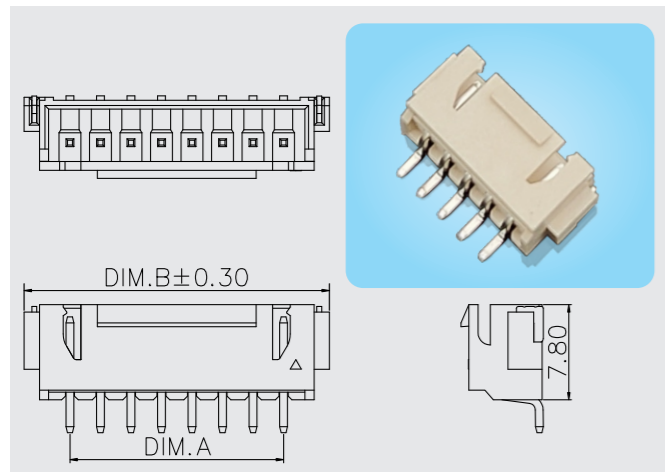
孔座 Housing

Pin	尺寸Size(mm)		Pin	尺寸Size(mm)	
	Dim.A	Dim.B		Dim.A	Dim.B
15	35.00	38.20	8	17.50	20.70
14	32.50	35.70	7	15.00	18.20
13	30.00	33.20	6	12.50	15.70
12	27.50	30.70	5	10.00	13.20
11	25.00	28.20	4	7.50	10.70
10	22.50	25.70	3	5.00	8.20
9	20.00	23.20	2	2.50	5.70

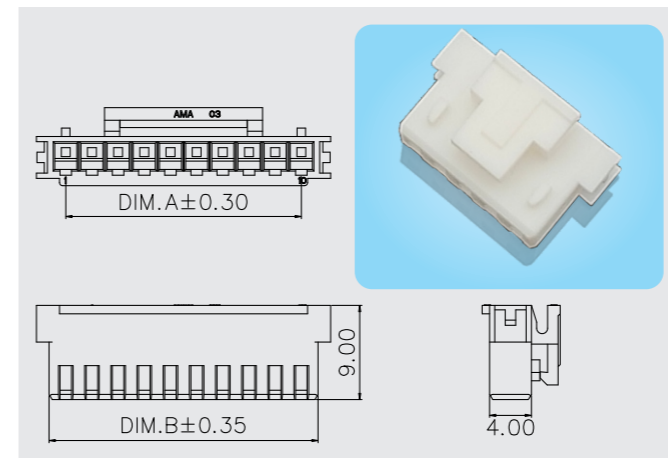
TJC3B-nY



TJC3B-nAW-S-A



TJC3B-nY-G

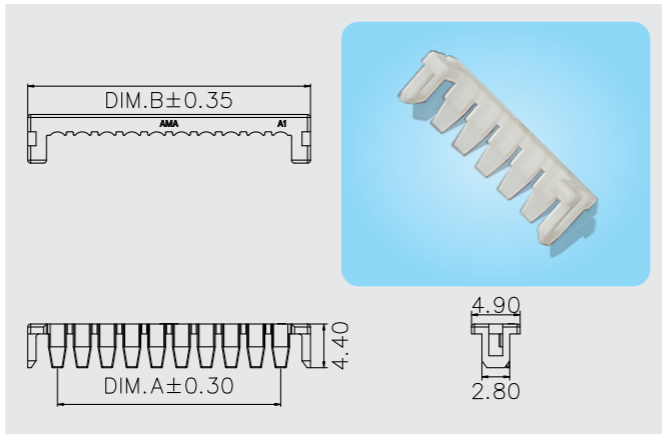


TJC3B Series

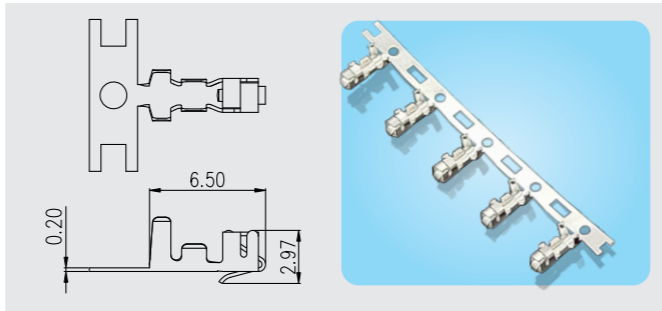
锁片 Locking Piece

Pin	尺寸Size(mm)	
	Dim.A	Dim.B
15	35.00	41.00
14	32.50	38.50
13	30.00	36.00
12	27.50	33.50
11	25.00	31.00
10	22.50	28.50
9	20.00	26.00
8	17.50	23.50
7	15.00	21.00
6	13.50	18.50
5	10.00	16.00
4	7.50	13.50
3	5.00	11.00
2	2.50	8.50

TJC3B-nY-G锁片 (locking plate)



TJC3A28T-T



XAD Series

技术参数 Main specifications

规格单位 Specifications unit: mm

额定电流 Current rating: 3A AC/DC

额定电压 Voltage rating: 250V AC/DC

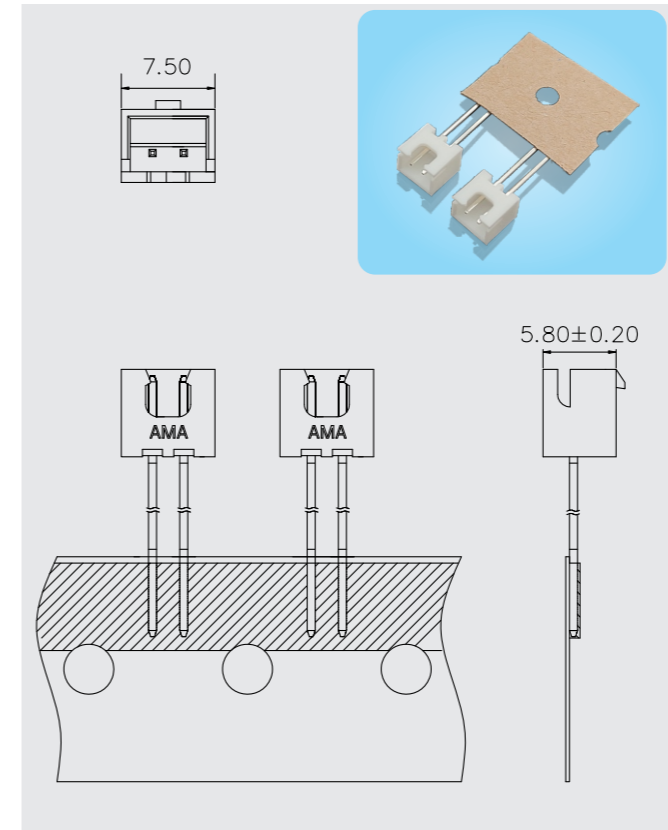
适用温度 Temperature range: -25 °C to +85 °C

接触电阻 Contact resistance: 30 mΩ max

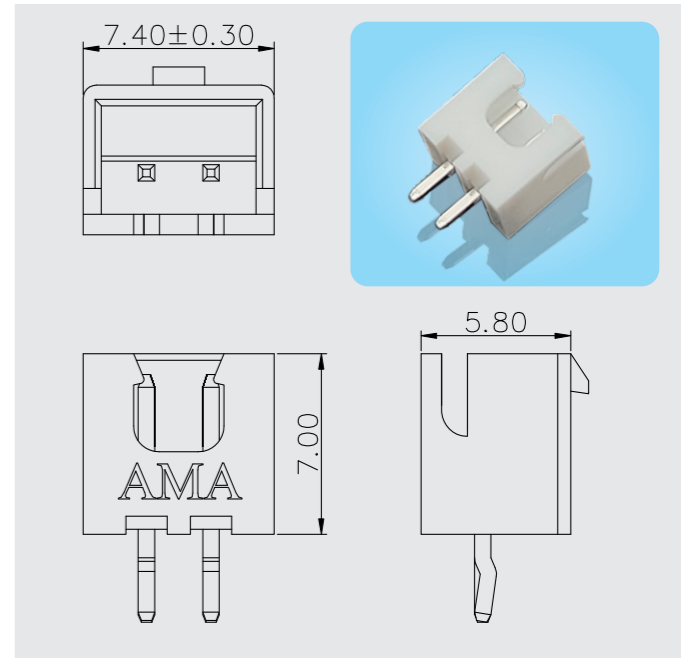
绝缘电阻 Insulation resistance: 1000 MΩ min

耐电压 Withstanding voltage: 1000 VAC/minute

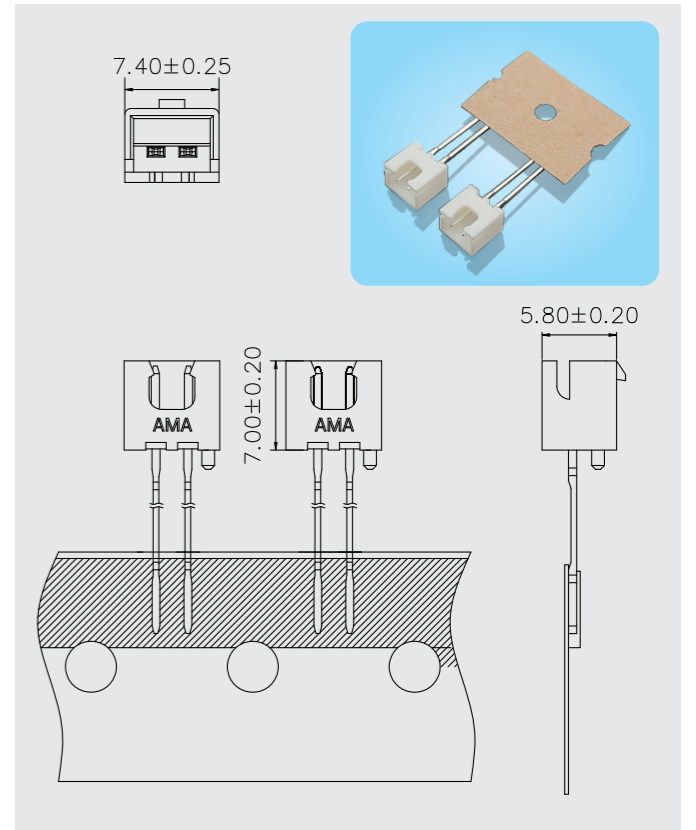
XAD-2A纸编带 (Radial-tape)



XAD-2A



XAD-2A-A纸编带 (Radial-tape)

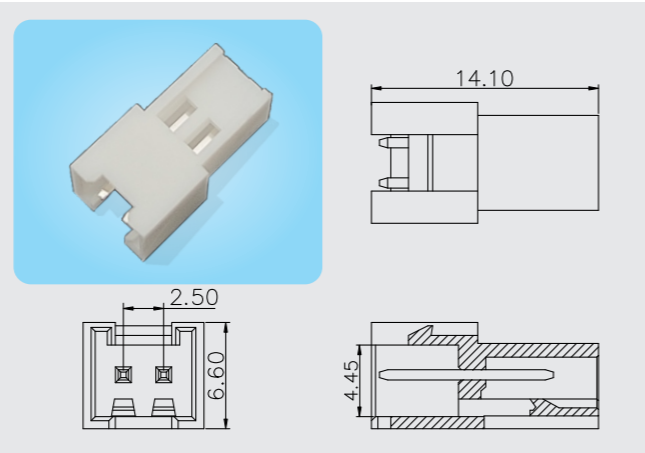


XHR Series

技术参数 Main specifications

- 规格单位 Specifications unit: mm
- 额定电流 Current rating: 3A AC/DC
- 额定电压 Voltage rating: 250V AC/DC
- 适用温度 Temperature range: -25 °C to +85 °C
- 接触电阻 Contact resistance: 30 mΩ max
- 绝缘电阻 Insulation resistance: 1000 MΩ min
- 耐电压 Withstanding voltage: 1000 VAC/minute

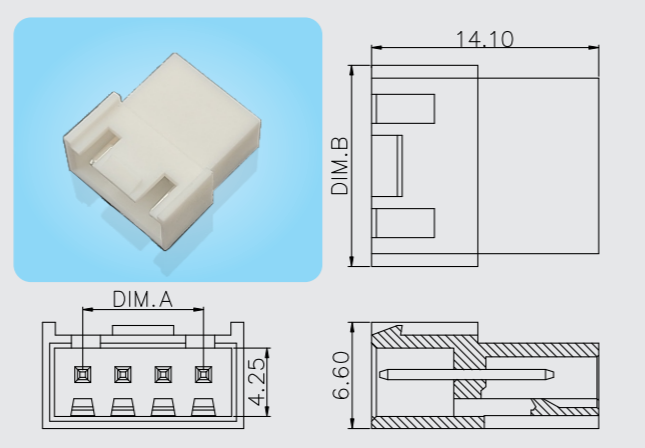
XHR-2A



针座 Wafer

Pin	尺寸 Size(mm)	
	Dim.A	Dim.B
5	10.00	15.00
4	7.50	12.50

XHR-nA-A

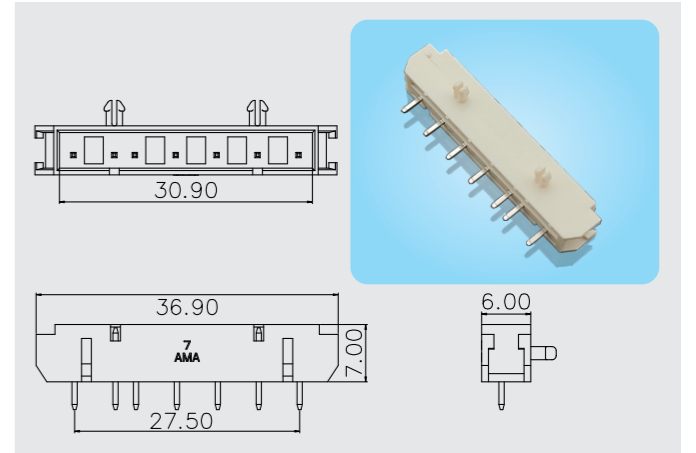


XHE Series

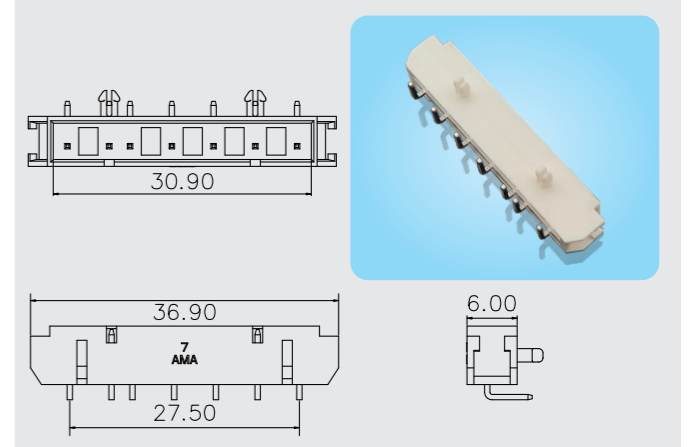
技术参数 Main specifications

- 规格单位 Specifications unit: mm
- 额定电流 Current rating: 3A AC/DC
- 额定电压 Voltage rating: 250V AC/DC
- 适用温度 Temperature range: -25 °C to +85 °C
- 接触电阻 Contact resistance: 30 mΩ max
- 绝缘电阻 Insulation resistance: 1000 MΩ min
- 耐电压 Withstanding voltage: 1000 VAC/minute

XHE-7A-G



XHE-7AW-G

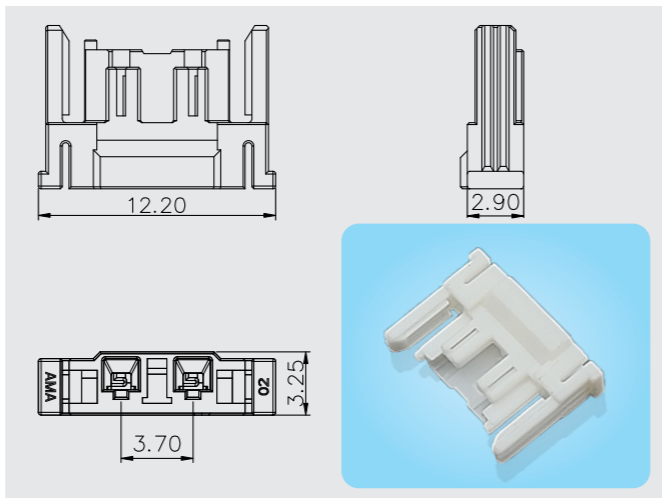


3701 Series

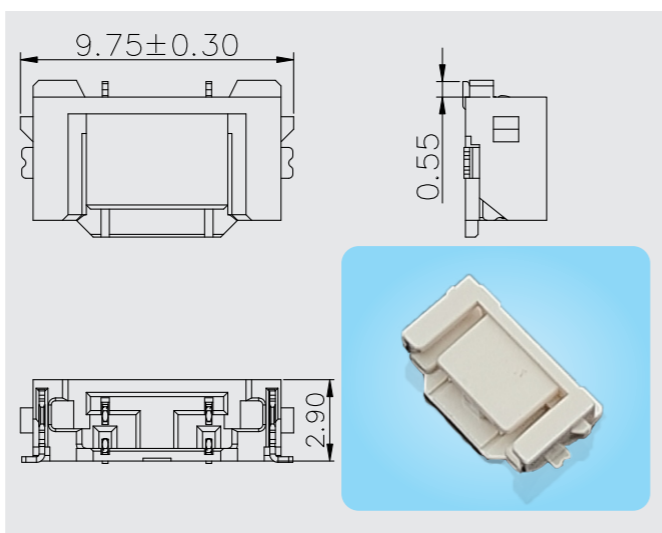
技术参数 Main specifications

- 规格单位 Specifications unit: mm
- 额定电流 Current rating: 2A AC/DC
- 额定电压 Voltage rating: 500V AC/DC
- 适用温度 Temperature range: -25 °C to +85 °C
- 接触电阻 Contact resistance: 40 mΩ max
- 绝缘电阻 Insulation resistance: 1000 MΩ min
- 耐电压 Withstanding voltage: 1500 VAC/minute

3701-2Y



3701-2AW-S



3964 Series

技术参数 Main specifications

- 规格单位 Specifications unit: mm
- 额定电流 Current rating: 9A AC/DC
- 额定电压 Voltage rating: 300V AC/DC
- 适用温度 Temperature range: -25 °C to +85 °C
- 接触电阻 Contact resistance: 30 mΩ max
- 绝缘电阻 Insulation resistance: 1000 MΩ min
- 耐电压 Withstanding voltage: 2000 VAC/minute

3965 Series

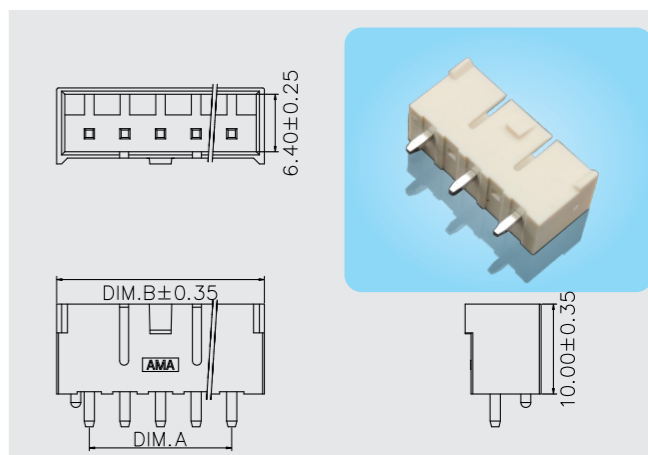
技术参数 Main specifications

- 规格单位 Specifications unit: mm
- 额定电流 Current rating: 6A AC/DC
- 额定电压 Voltage rating: 300V AC/DC
- 适用温度 Temperature range: -25 °C to +85 °C
- 接触电阻 Contact resistance: 30 mΩ max
- 绝缘电阻 Insulation resistance: 1000 MΩ min
- 耐电压 Withstanding voltage: 2000 VAC/minute

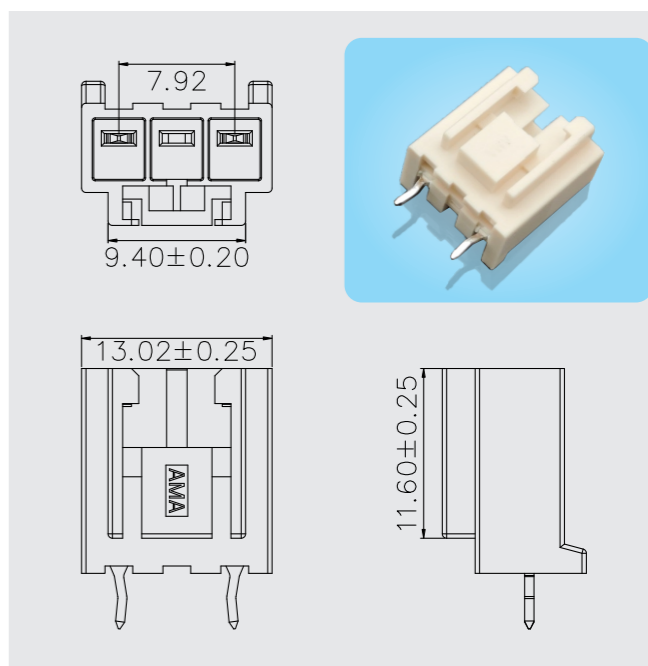
针座 Wafer

Pin	尺寸 Size(mm)	
	Dim.A	Dim.B
9	31.68	38.94
8	27.72	34.98
7	23.76	31.02
6	19.80	27.06
5	15.84	23.10
4	11.88	19.14
3	7.92	15.18
2	3.96	11.22

3964-nA



3965-3A2

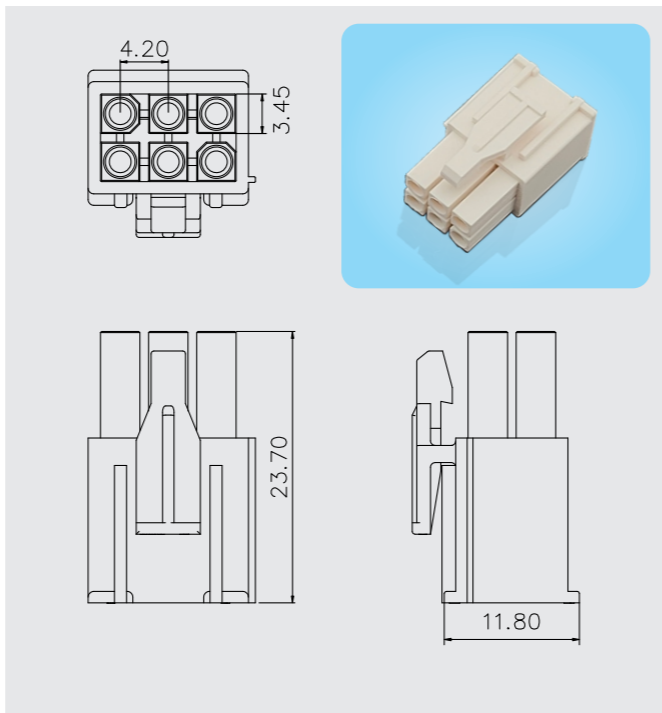


4201 Series

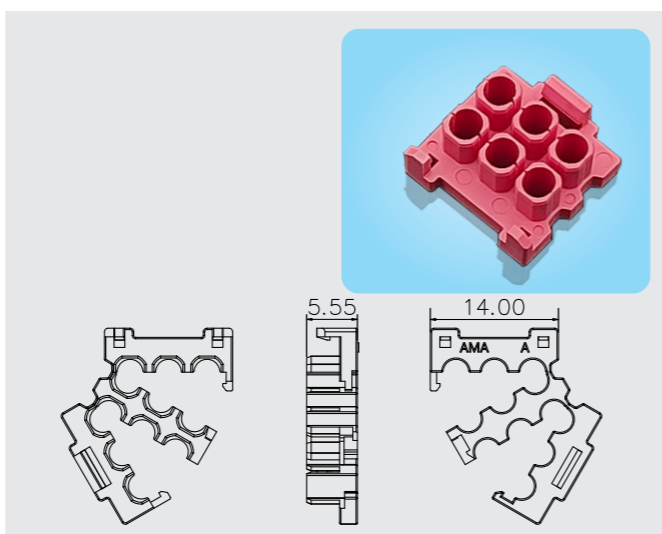
技术参数 Main specifications

- 规格单位 Specifications unit: mm
- 额定电流 Current rating: 3A AC/DC
- 额定电压 Voltage rating: 250V AC/DC
- 适用温度 Temperature range: -25 °C to +85 °C
- 接触电阻 Contact resistance: 30 mΩ max
- 绝缘电阻 Insulation resistance: 1000 MΩ min
- 耐电压 Withstanding voltage: 1500 VAC/minute

4201-2*3Y-G



4201-2*3Y-G固线夹 (Wire fixed clip)

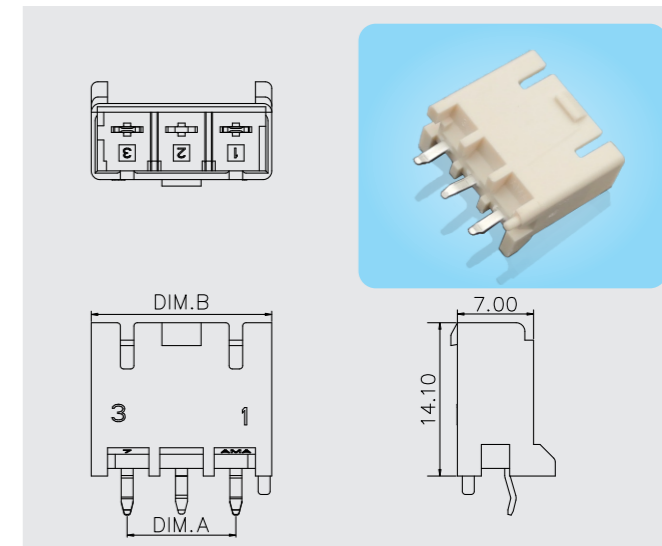


5002 Series

技术参数 Main specifications

- 规格单位 Specifications unit: mm
- 额定电流 Current rating: 9A AC/DC
- 额定电压 Voltage rating: 300V AC/DC
- 适用温度 Temperature range: -40 °C to +85 °C
- 接触电阻 Contact resistance: 30 mΩ max
- 绝缘电阻 Insulation resistance: 1000 MΩ min
- 耐电压 Withstanding voltage: 2200 VAC/minute

5002-nA



针座 Wafer

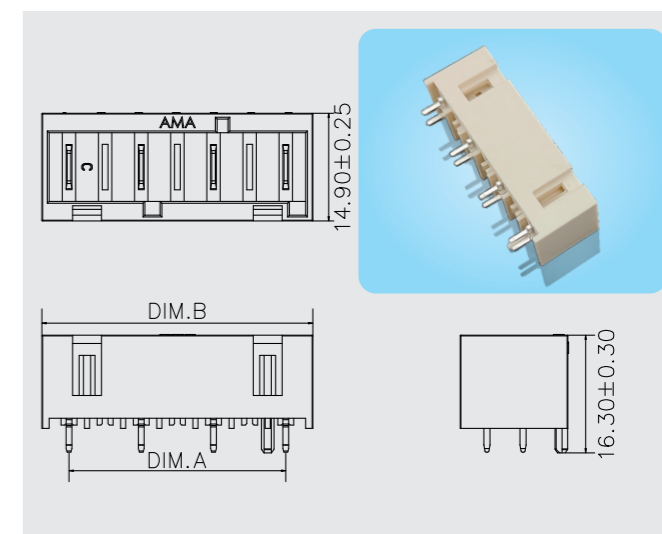
Pin	尺寸 Size(mm)	
	Dim.A	Dim.B
6	25.00	31.60
3	10.00	16.60

5003 Series

技术参数 Main specifications

- 规格单位 Specifications unit: mm
- 额定电流 Current rating: 16A AC/DC
- 额定电压 Voltage rating: 250V AC/DC
- 适用温度 Temperature range: -40 °C to +85 °C
- 接触电阻 Contact resistance: 30 mΩ max
- 绝缘电阻 Insulation resistance: 1000 MΩ min
- 耐电压 Withstanding voltage: 1500 VAC/minute

5003-nA



针座 Wafer

Pin	尺寸 Size(mm)	
	Dim.A	Dim.B
7	30.00	37.50
5	20.00	27.50

5264 Series

技术参数 Main specifications

规格单位 Specifications unit: mm

额定电流 Current rating: 3A AC/DC

额定电压 Voltage rating: 250V AC/DC

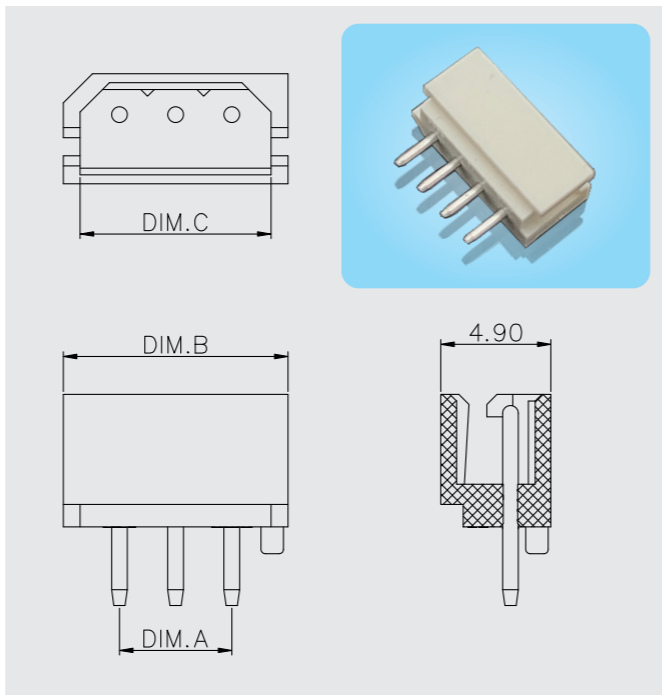
适用温度 Temperature range: -25 °C to +85 °C

接触电阻 Contact resistance: 30 mΩ max

绝缘电阻 Insulation resistance: 1000 MΩ min

耐电压 Withstanding voltage: 1000 VAC/minute

5264-nA



6001 Series

技术参数 Main specifications

规格单位 Specifications unit: mm

额定电流 Current rating: 15A AC/DC

额定电压 Voltage rating: 250V AC/DC

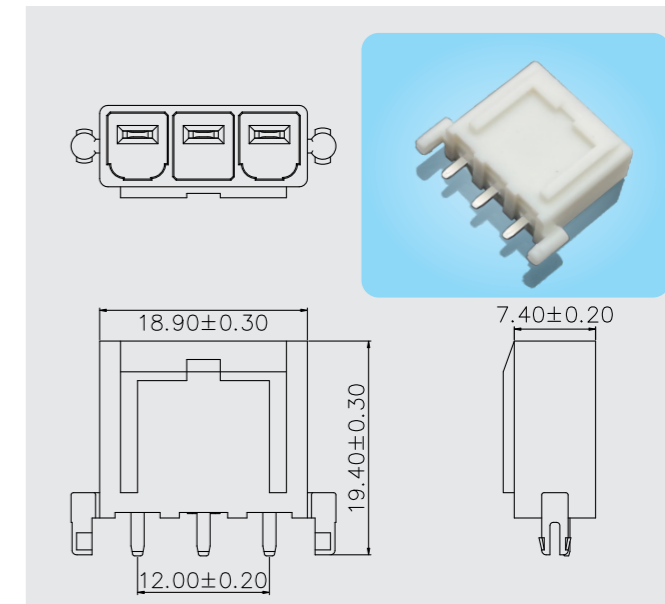
适用温度 Temperature range: -25 °C to +85 °C

接触电阻 Contact resistance: 30 mΩ max

绝缘电阻 Insulation resistance: 1000 MΩ min

耐电压 Withstanding voltage: 1500 VAC/minute

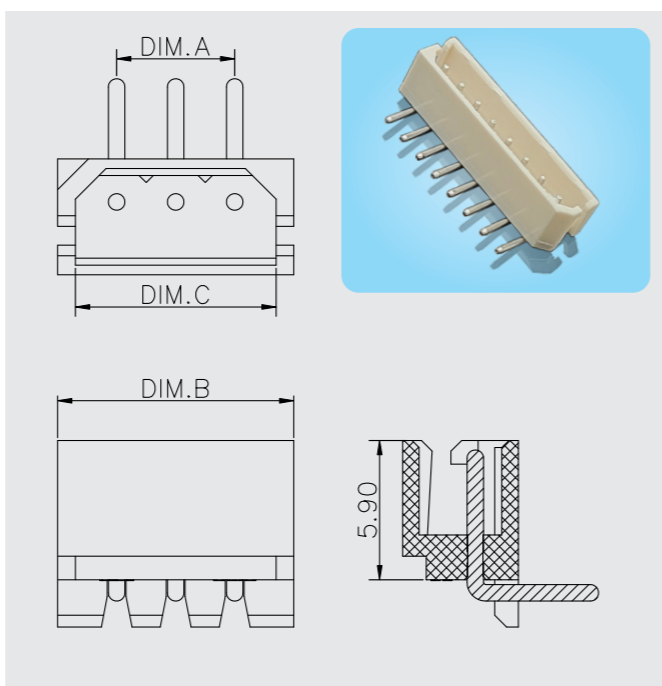
6001-3A



针座 Wafer

Pin	尺寸 Size(mm)		
	Dim.A	Dim.B	Dim.C
16	37.50	42.50	40.90
15	35.00	40.00	38.40
14	32.50	37.50	35.90
13	30.00	35.00	33.40
12	27.50	32.50	30.90
11	25.00	30.00	28.40
10	22.50	27.50	25.90
9	20.00	25.00	23.40
8	17.50	22.50	20.90
7	15.00	20.00	18.40
6	12.50	17.50	15.90
5	10.00	15.00	13.40
4	7.50	12.50	10.90
3	5.00	10.00	8.40
2	2.50	7.50	5.90

5264-nAW



6501 Series

技术参数 Main specifications

规格单位 Specifications unit: mm

额定电流 Current rating: 6A AC/DC

额定电压 Voltage rating: 300V AC/DC

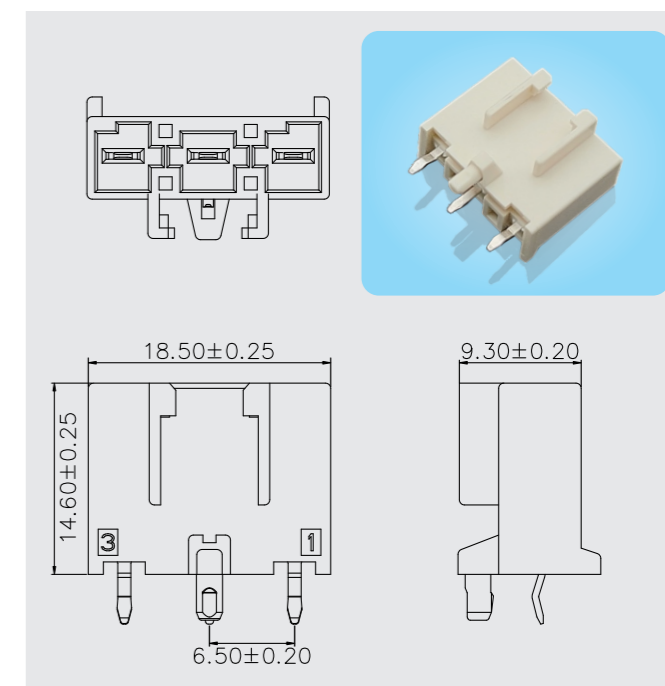
适用温度 Temperature range: -25 °C to +85 °C

接触电阻 Contact resistance: 20 mΩ max

绝缘电阻 Insulation resistance: 1000 MΩ min

耐电压 Withstanding voltage: 2200 VAC/minute

6501-3A

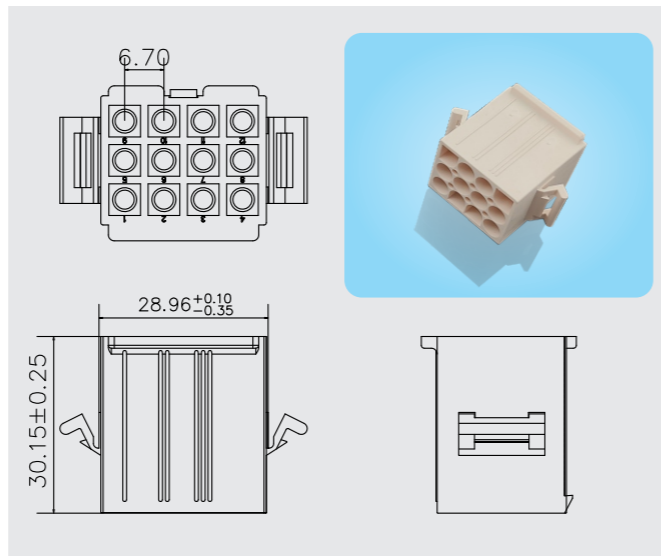


6701 Series

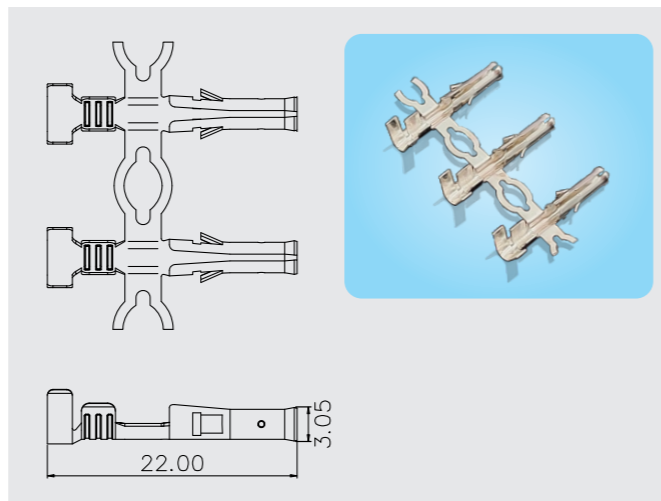
技术参数 Main specifications

- 规格单位 Specifications unit: mm
- 额定电流 Current rating: 6A AC/DC
- 额定电压 Voltage rating: 600V AC/DC
- 适用温度 Temperature range: -40 °C to +105 °C
- 接触电阻 Contact resistance: 20 mΩ max
- 绝缘电阻 Insulation resistance: 1000 MΩ min
- 耐电压 Withstanding voltage: 1500 VAC/minute

6701-12P

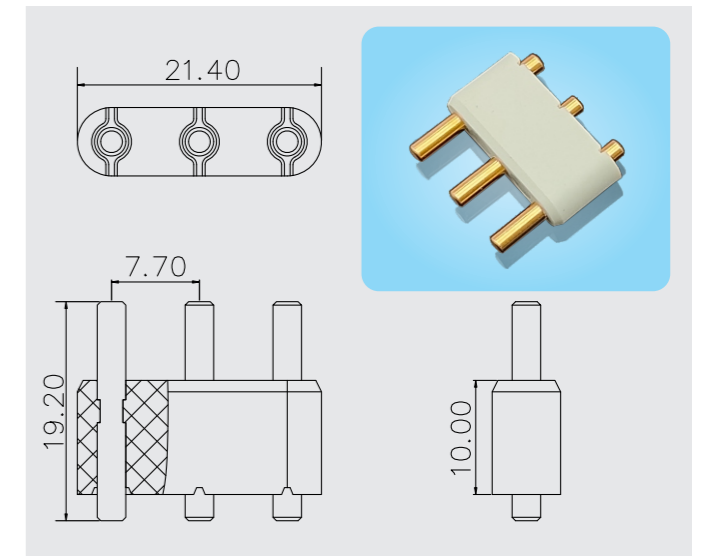


6701-T (∅2.18)



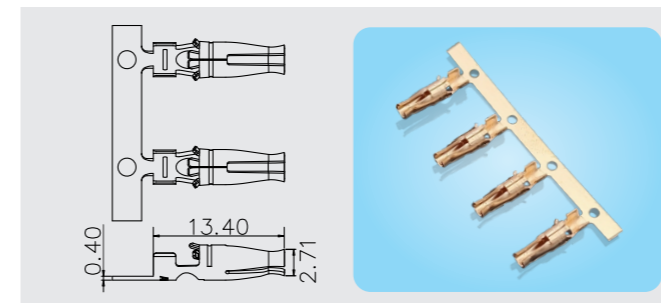
7701 Series

7701-3A

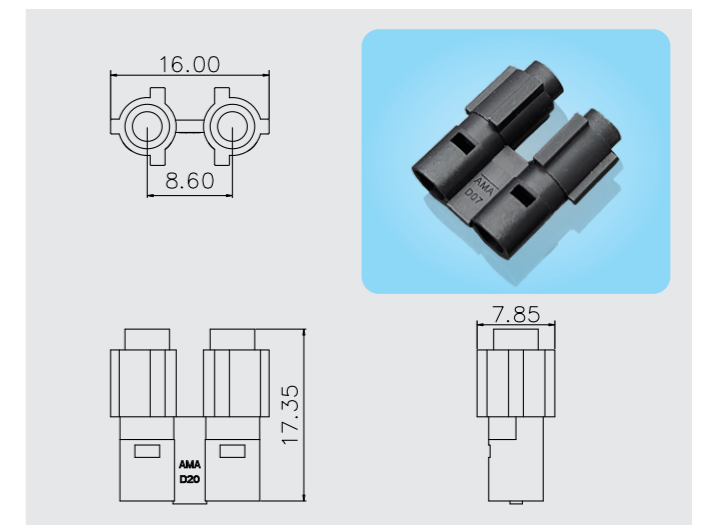


8601 Series

8601-T



8601-2Y

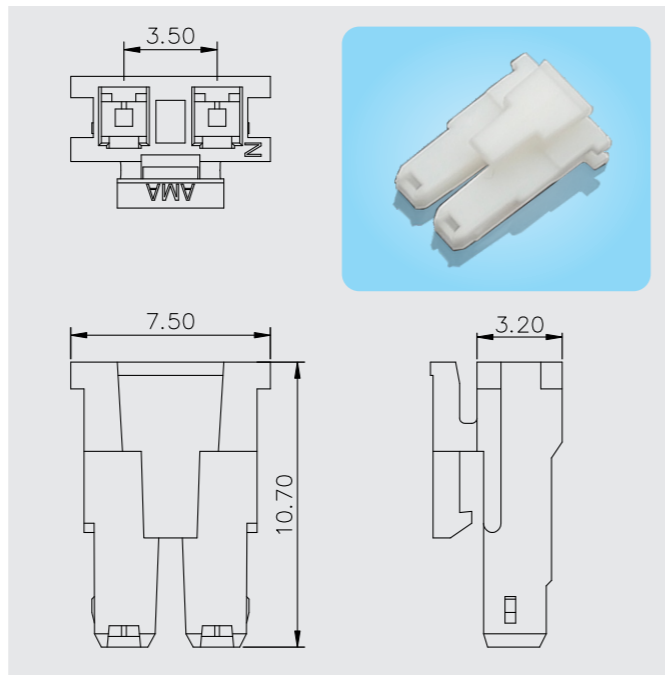


BH Series

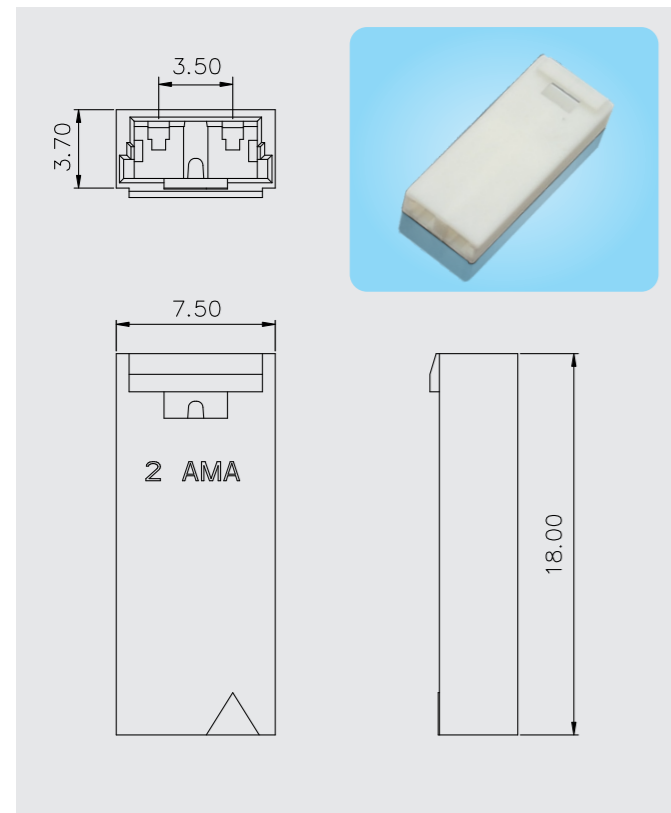
技术参数 Main specifications

- 规格单位 Specifications unit: mm
- 额定电流 Current rating: 3A AC/DC
- 额定电压 Voltage rating: 750V AC/DC
- 适用温度 Temperature range: -25 °C to +85 °C
- 接触电阻 Contact resistance: 30 mΩ max
- 绝缘电阻 Insulation resistance: 1000 MΩ min
- 耐电压 Withstanding voltage: 1500 VAC/minute

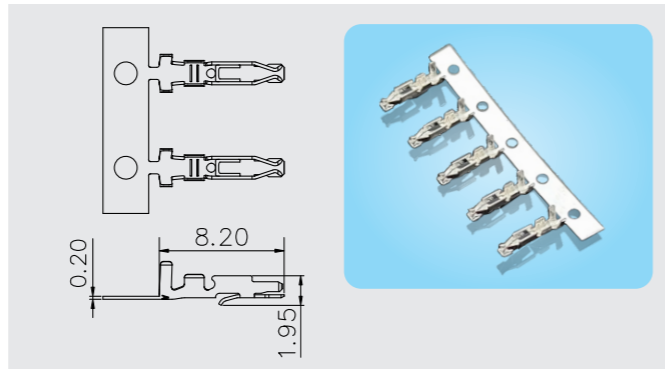
BH-2Y-G



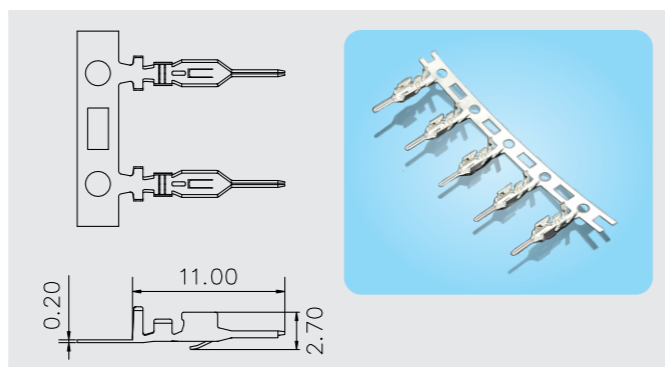
BH-2A-G



BH-T



BH-nA-T

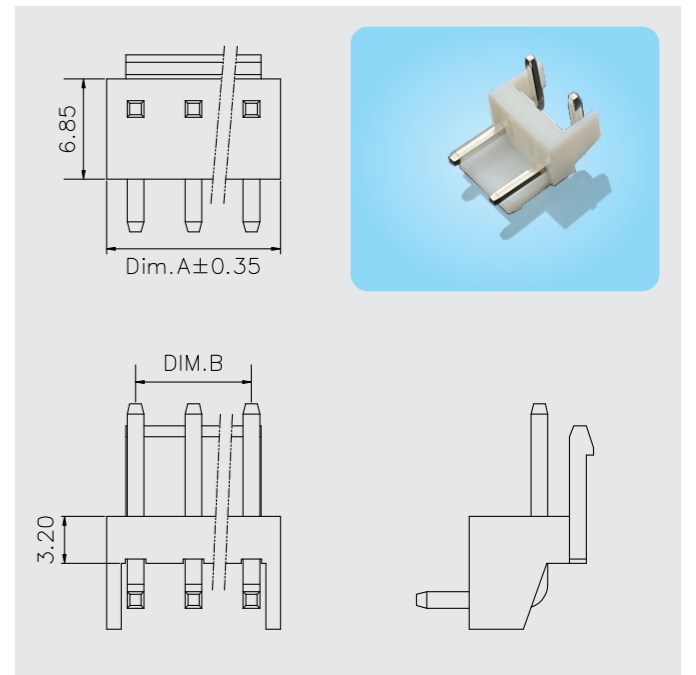


VH Series

技术参数 Main specifications

- 规格单位 Specifications unit: mm
- 额定电流 Current rating: 7A AC/DC
- 额定电压 Voltage rating: 250V AC/DC
- 适用温度 Temperature range: -25 °C to +85 °C
- 接触电阻 Contact resistance: 20 mΩ max
- 绝缘电阻 Insulation resistance: 1000 MΩ min
- 耐电压 Withstanding voltage: 1500 VAC/minute

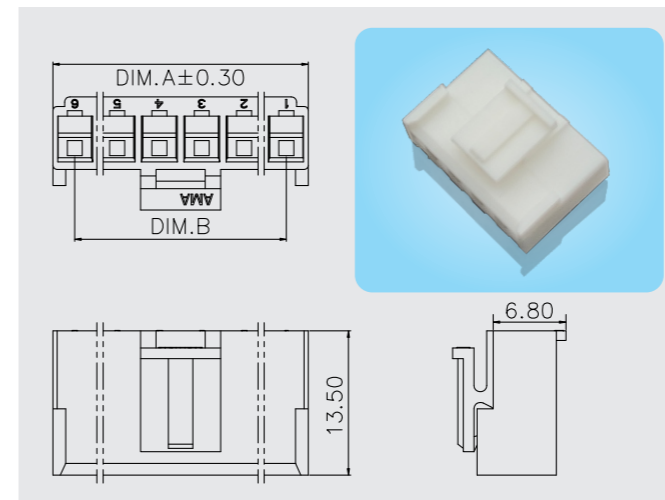
VH-nAW-C



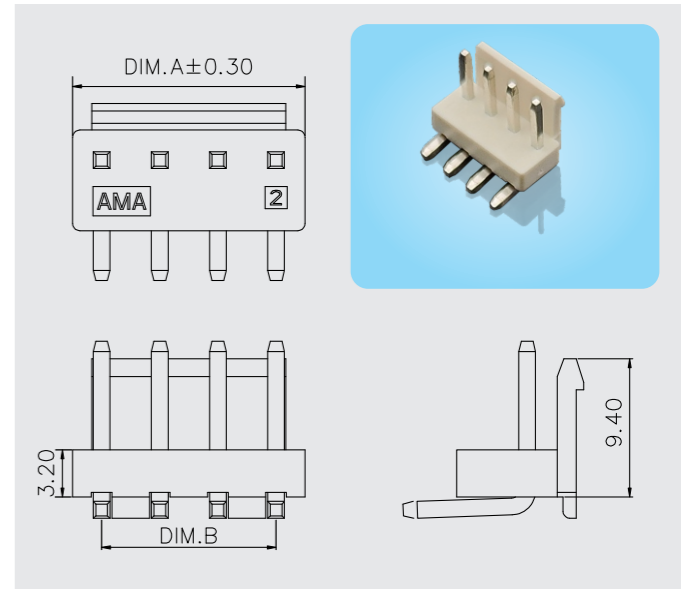
孔座 Housing

Pin	尺寸 Size(mm)		Pin	尺寸 Size(mm)	
	Dim.A	Dim.B		Dim.A	Dim.B
16	63.50	59.40	8	31.82	27.72
15	59.54	55.44	7	27.86	23.76
14	55.58	51.48	6	23.90	19.80
13	51.62	47.52	5	19.94	15.84
12	47.66	43.56	4	15.98	11.88
11	43.70	39.60	3	12.02	7.92
10	39.74	35.64	2	8.06	3.96
9	35.78	31.68			

VH-nY



VH-nAV-S

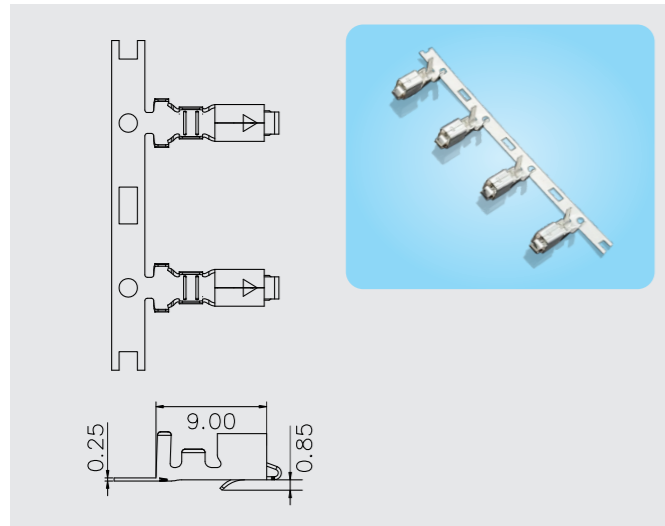


VH Series

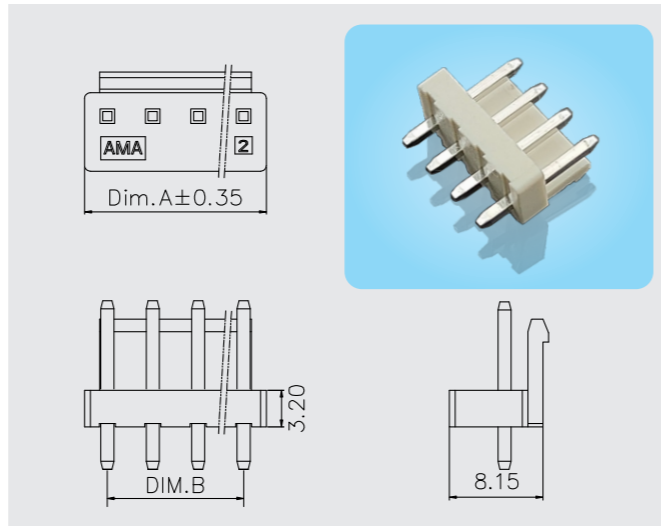
针座 Wafer

Pin	尺寸Size(mm)		Pin	尺寸Size(mm)	
	Dim.A	Dim.B		Dim.A	Dim.B
11	43.56	39.60	6	23.76	19.80
10	39.60	35.64	5	19.80	15.84
9	35.64	31.68	4	15.84	11.88
8	31.68	27.72	3	11.88	7.92
7	27.72	23.76	2	7.92	3.96

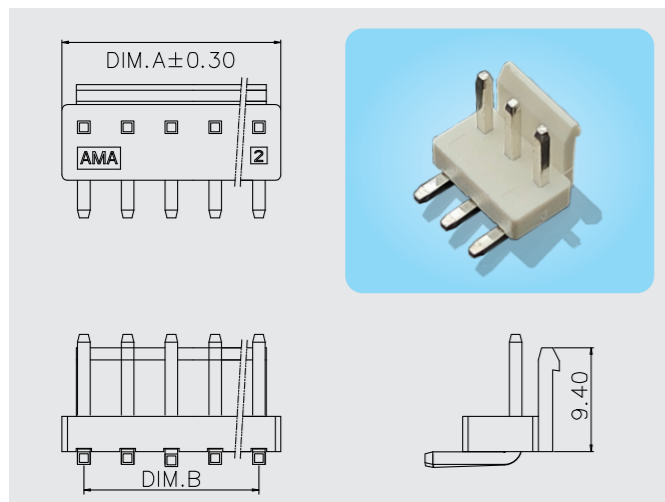
VH-T



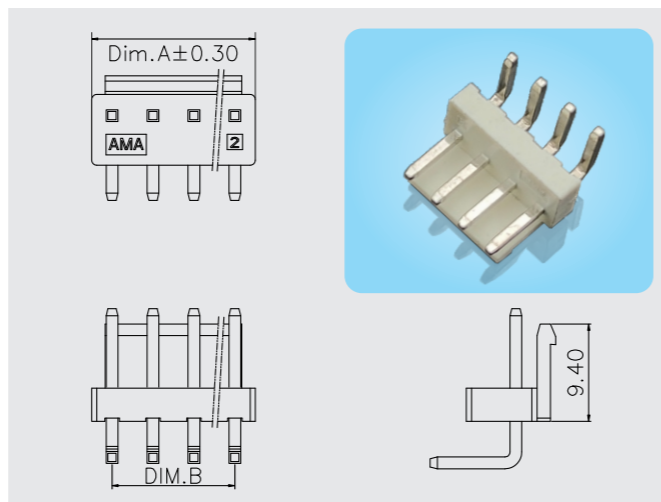
VH-nA



VH-nAW



VH-nAW高弯 (Curved with distance)



VHB Series

技术参数 Main specifications

规格单位 Specifications unit: mm

额定电流 Current rating: 7A AC/DC

额定电压 Voltage rating: 250V AC/DC

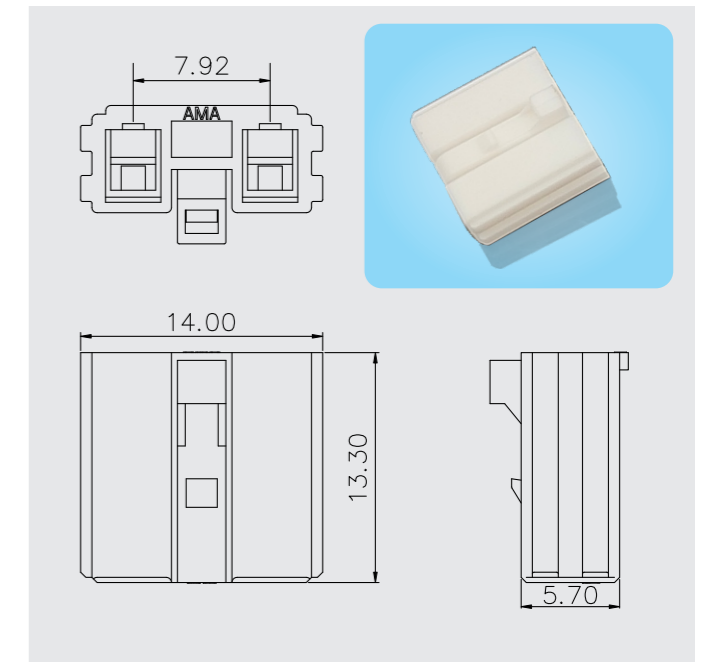
适用温度 Temperature range: -25 °C to +85 °C

接触电阻 Contact resistance: 20 mΩ max

绝缘电阻 Insulation resistance: 1000 MΩ min

耐电压 Withstanding voltage: 1500 VAC/minute

VHB-nY



VHC Series

技术参数 Main specifications

规格单位 Specifications unit: mm

额定电流 Current rating: 7A AC/DC

额定电压 Voltage rating: 250V AC/DC

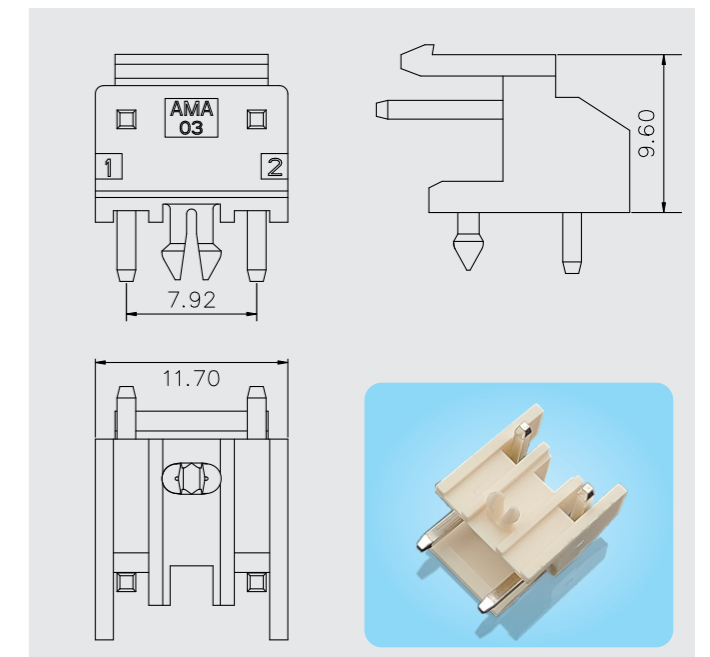
适用温度 Temperature range: -25 °C to +85 °C

接触电阻 Contact resistance: 20 mΩ max

绝缘电阻 Insulation resistance: 1000 MΩ min

耐电压 Withstanding voltage: 1500 VAC/minute

VHC-2AW-D

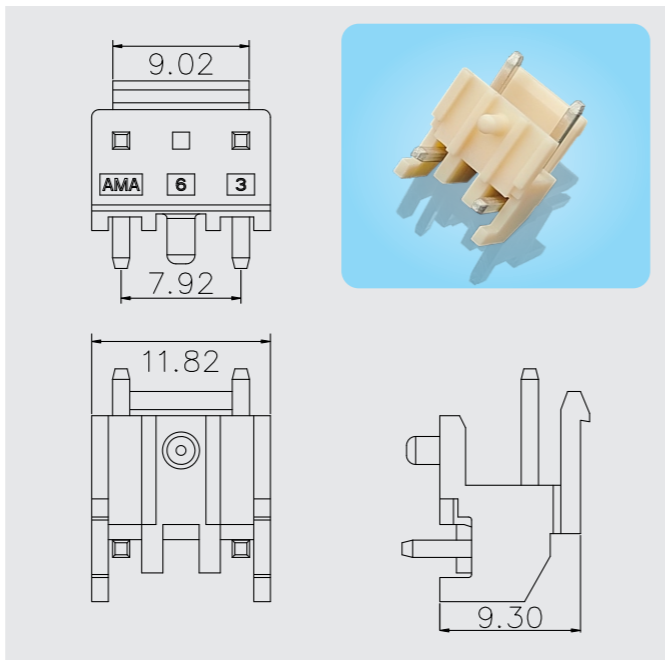


VHE Series

技术参数 Main specifications

- 规格单位 Specifications unit: mm
- 额定电流 Current rating: 5A AC/DC
- 额定电压 Voltage rating: 250V AC/DC
- 适用温度 Temperature range: -25 °C to +85 °C
- 接触电阻 Contact resistance: 20 mΩ max
- 绝缘电阻 Insulation resistance: 1000 MΩ min
- 耐电压 Withstanding voltage: 1500 VAC/minute

VHE-nAW-D

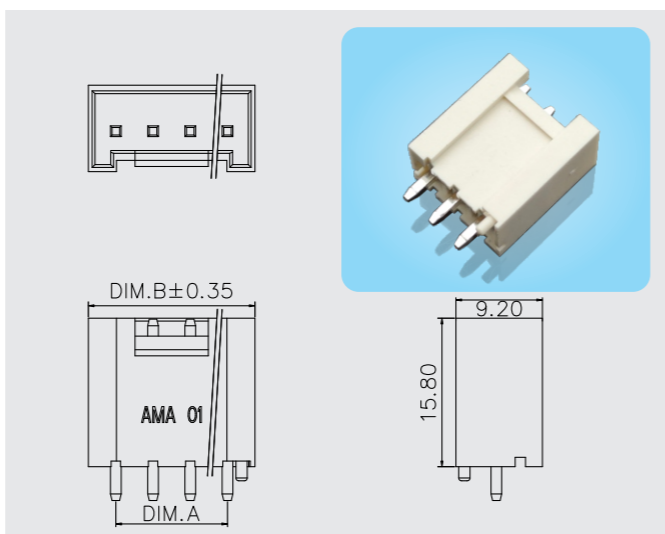


VHK Series

技术参数 Main specifications

- 规格单位 Specifications unit: mm
- 额定电流 Current rating: 7A AC/DC
- 额定电压 Voltage rating: 250V AC/DC
- 适用温度 Temperature range: -25 °C to +85 °C
- 接触电阻 Contact resistance: 20 mΩ max
- 绝缘电阻 Insulation resistance: 1000 MΩ min
- 耐电压 Withstanding voltage: 1500 VAC/minute

VHK-nA



针座 Wafer

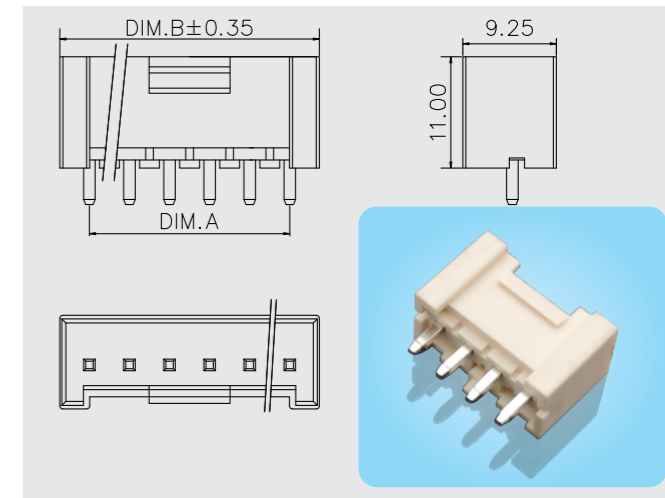
Pin	尺寸 Size(mm)		Pin	尺寸 Size(mm)	
	Dim.A	Dim.B		Dim.A	Dim.B
6	19.80	25.64	3	7.92	13.76
4	11.88	17.72	2	3.96	9.80

VHR Series

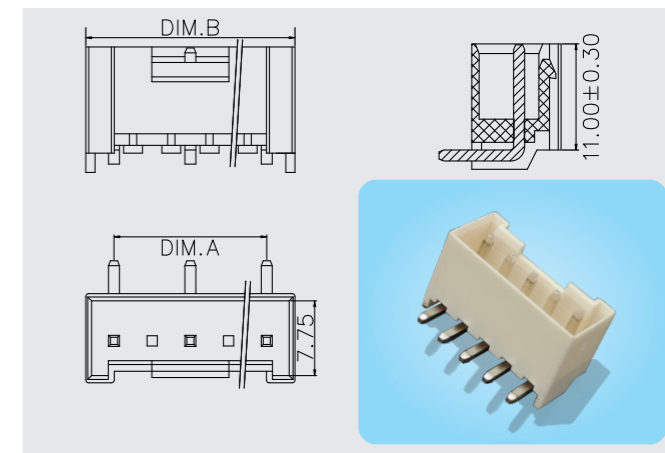
技术参数 Main specifications

- 规格单位 Specifications unit: mm
- 额定电流 Current rating: 7A AC/DC
- 额定电压 Voltage rating: 250V AC/DC
- 适用温度 Temperature range: -25 °C to +85 °C
- 接触电阻 Contact resistance: 20 mΩ max
- 绝缘电阻 Insulation resistance: 1000 MΩ min
- 耐电压 Withstanding voltage: 1500 VAC/minute

VHR-nA



VHR-nAW



针座 Wafer

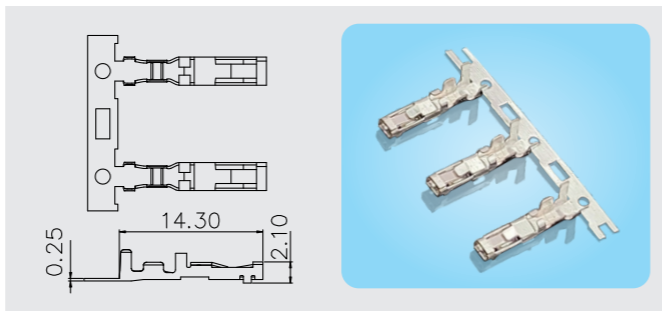
Pin	尺寸 Size(mm)	
	Dim.A	Dim.B
7	23.76	29.60
6	19.80	25.64
5	15.84	21.68
4	11.88	17.72
3	7.92	13.76
2	3.96	9.80

YL Series

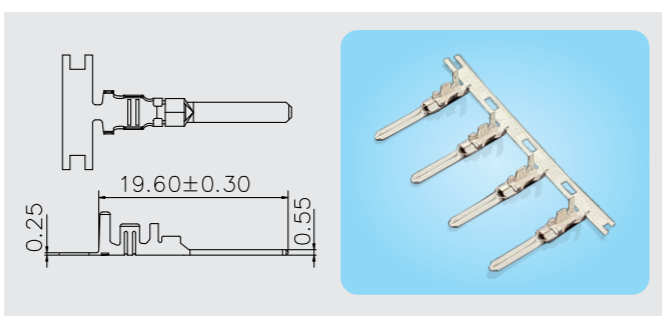
技术参数 Main specifications

- 规格单位 Specifications unit: mm
- 额定电流 Current rating: 3A AC/DC
- 额定电压 Voltage rating: 250V AC/DC
- 适用温度 Temperature range: -25 °C to +85 °C
- 接触电阻 Contact resistance: 30 mΩ max
- 绝缘电阻 Insulation resistance: 1000 MΩ min
- 耐电压 Withstanding voltage: 1000 VAC/minute

YL簧 (Reed)



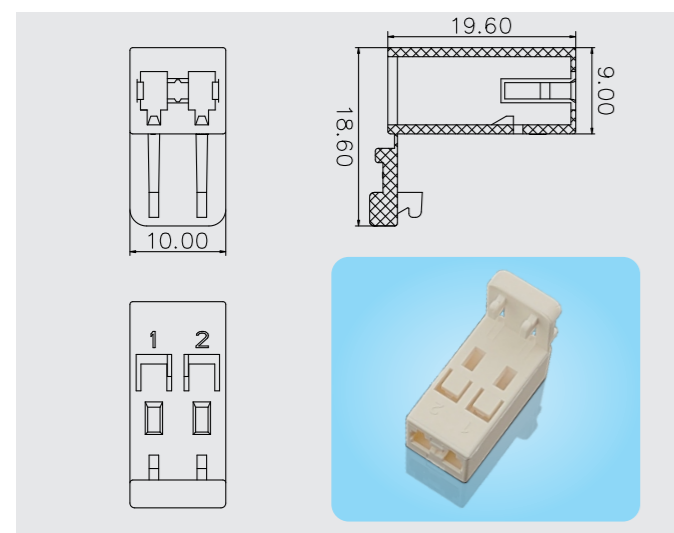
YL 针 (Pin)



双触点两孔 Series

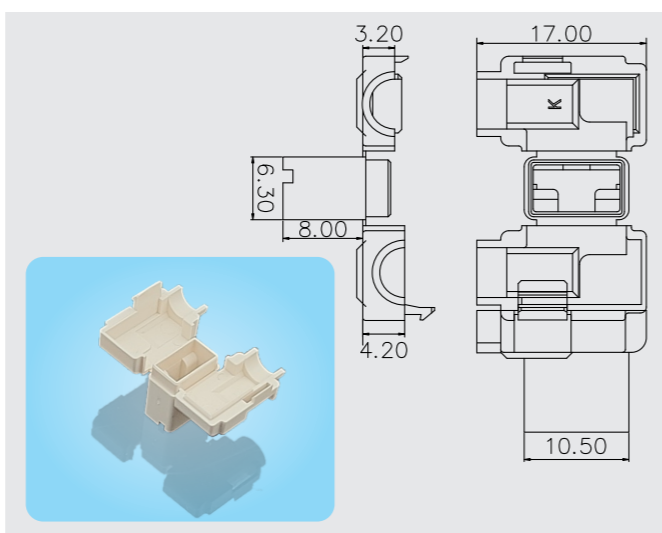
2 pin with double contacts

双触点两孔 (2 pin with double contacts)



DF-250 Series

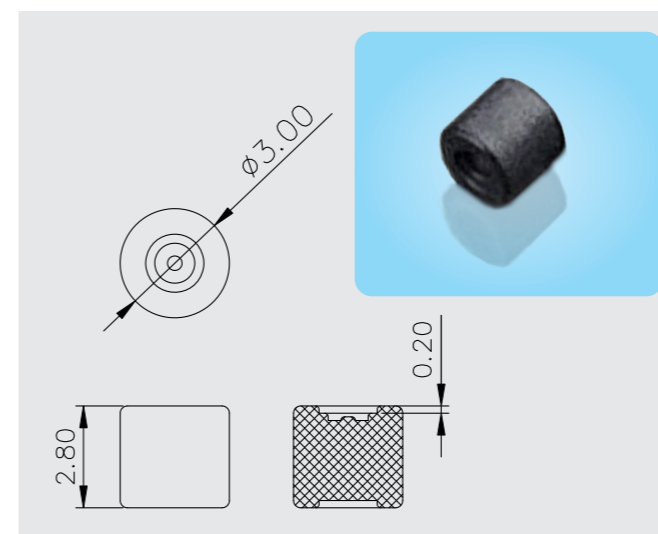
DF250



3.0 塑胶柱 Series

Plastic Column

3.0 塑胶柱 (Plastic Column)



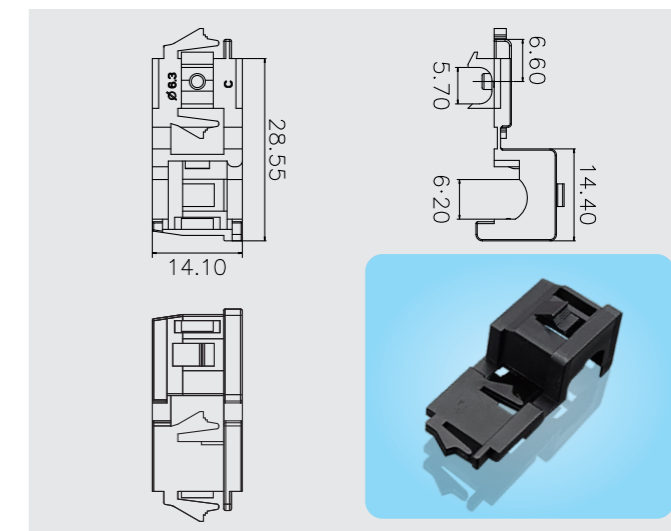
6.3 电源压线扣 Series

Power cord buckle

技术参数 Main specifications

- 规格单位 Specifications unit: mm
- 额定电流 Current rating: 3A AC/DC
- 额定电压 Voltage rating: 250V AC/DC
- 适用温度 Temperature range: -25 °C to +85 °C
- 接触电阻 Contact resistance: 20 mΩ max
- 绝缘电阻 Insulation resistance: 1000 MΩ min
- 耐电压 Withstanding voltage: 1000 VAC/minute

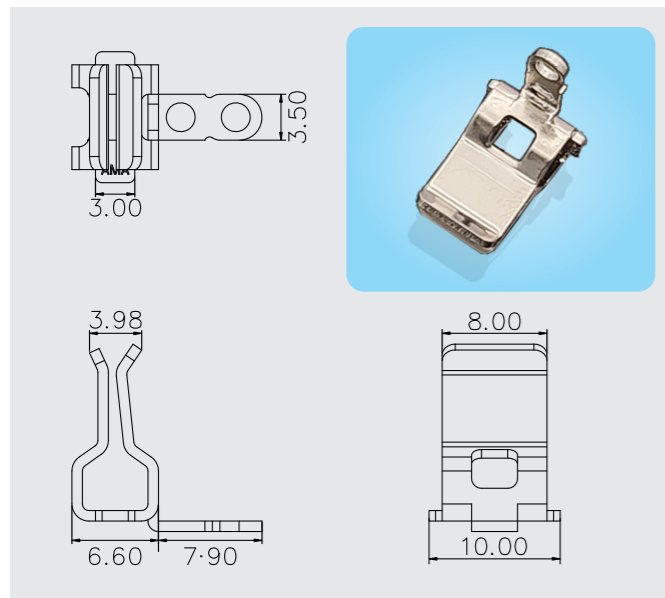
6.3 电源压线扣 (Power cord buckle)



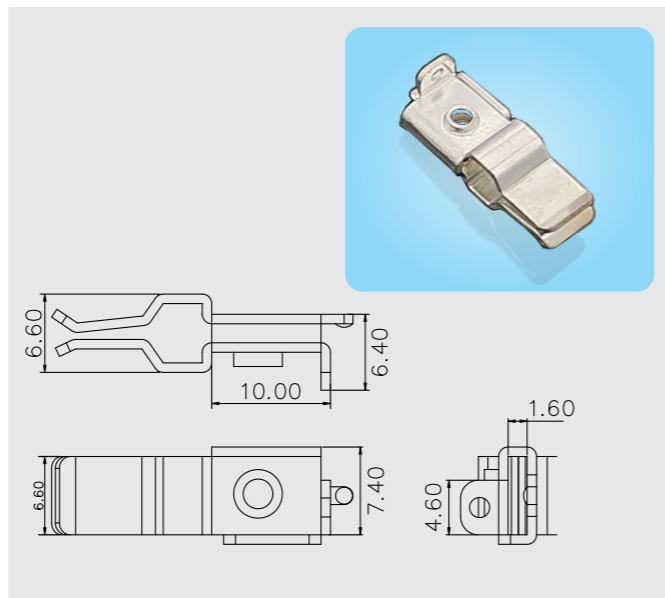
强电端子 Series

Strong current terminal

0.8T强电端子 (Strong current terminal) -A



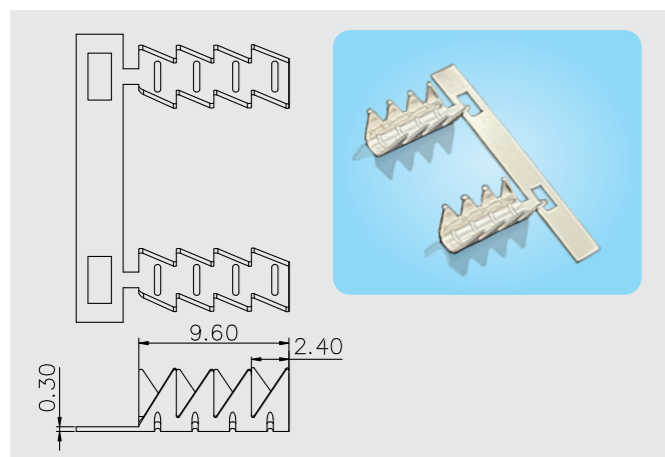
0.8T强电端子 (Strong current terminal) -B



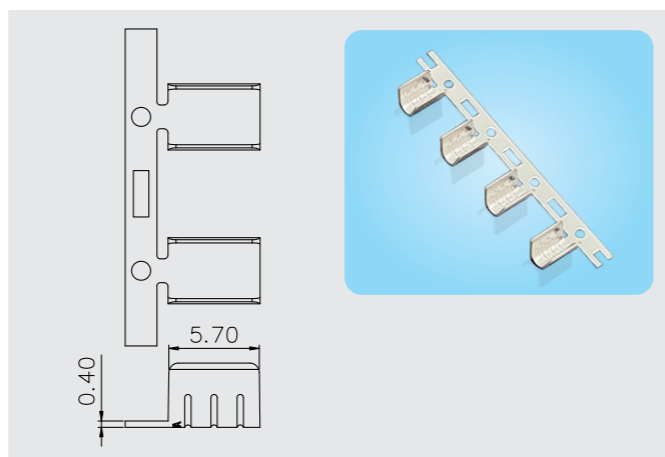
线扣端子 Series

Buckle Terminal

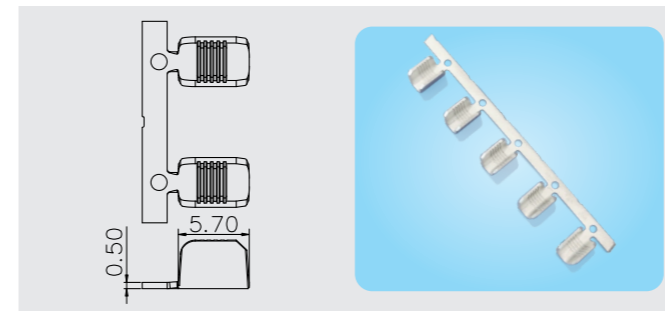
2.5平方线扣端子 (line buckle terminal 2.5mm²)



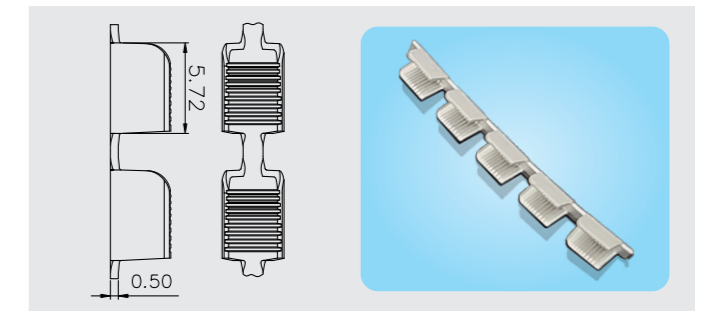
线扣 (Buckle) -03



LB-11



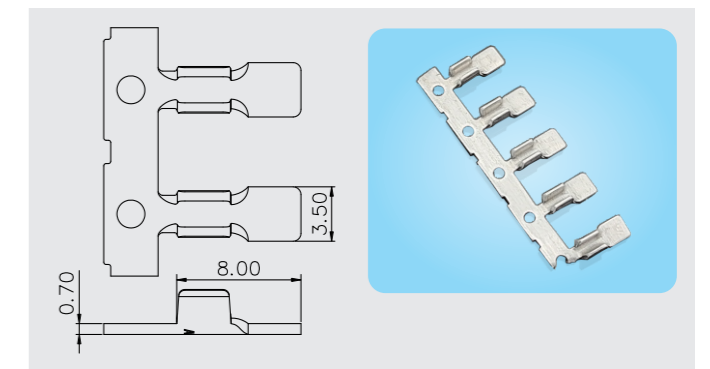
LB-10



铝端子 Series

Aluminum terminal

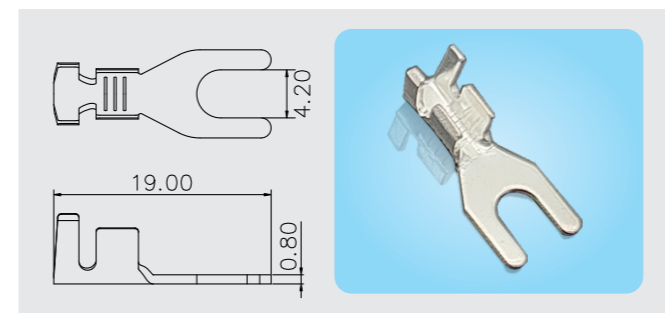
3.5x8x0.7t铝端子 (Aluminum terminal)



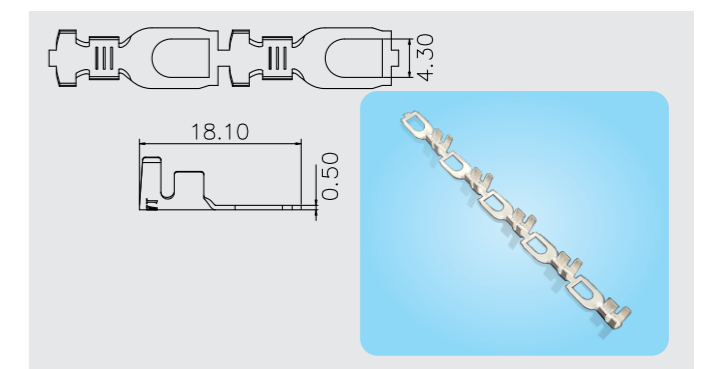
叉形端子 Series

Fork-shaped terminal

4.2x0.8 叉形端子 (Fork-shaped terminal)



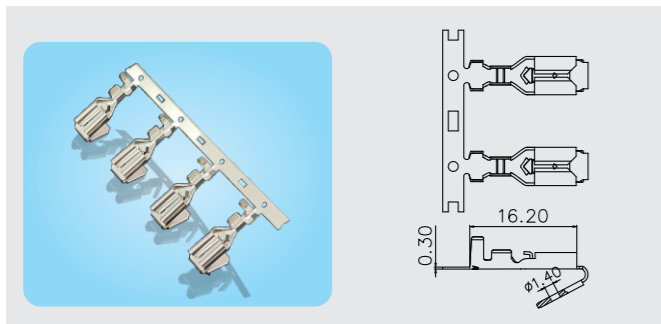
4.3x6.8叉形端子 (Fork-shaped terminal)



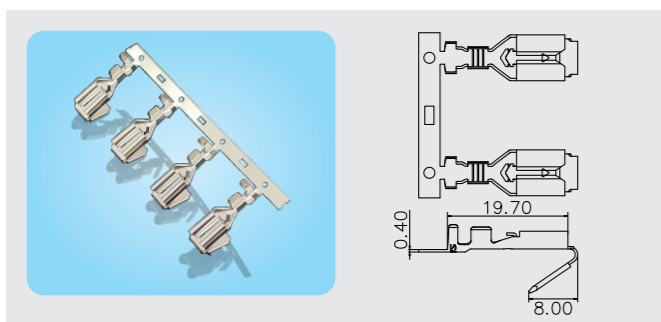
公母连体带弹 Series

Male and female connected terminal

4.8公母连体带弹 (Male and female connected terminal)



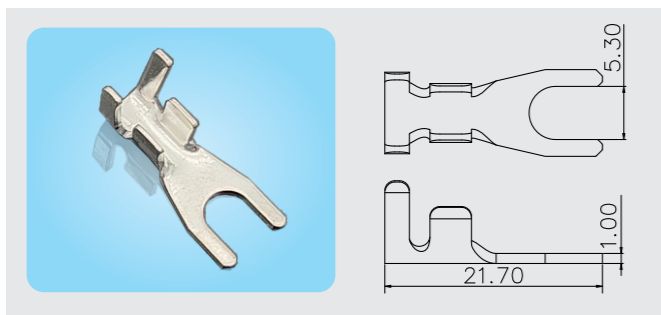
6.3公母连体带弹 (Male and female connected terminal)



U型插片 Series

U-shaped terminal

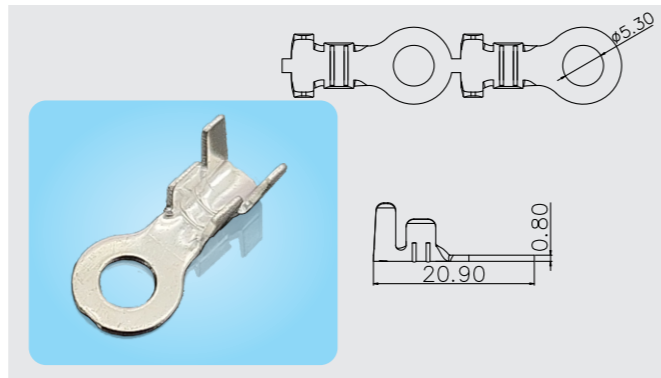
5.3 U型插片 (U-shaped terminal)



5.3-1端子 Series

Terminal

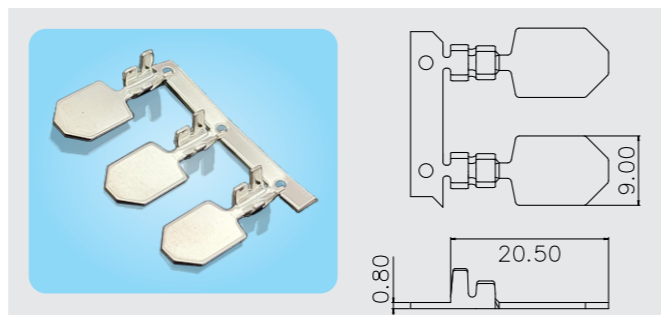
φ5.3-1端子 (Terminal)



9.0插片 Series

Tab

9.0插片 (Tab)



110端子 Series

Terminal

技术参数 Main specifications

规格单位 Specifications unit: mm

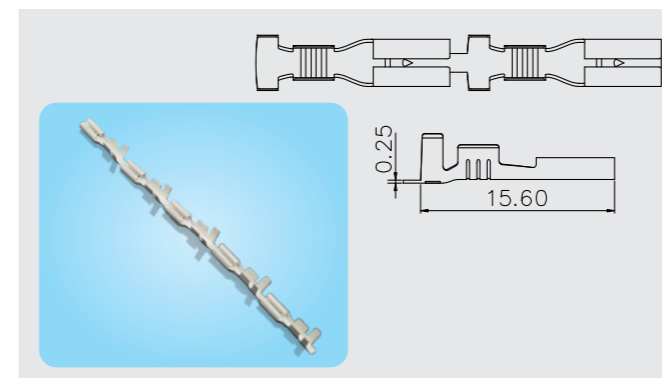
额定电流 Current rating: 2A AC/DC

额定电压 Voltage rating: 250V AC/DC

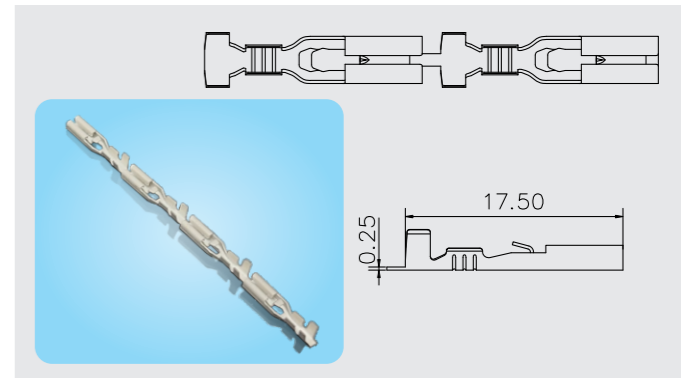
适用温度 Temperature range: -25 °C to +85 °C

接触电阻 Contact resistance: 30 mΩ max

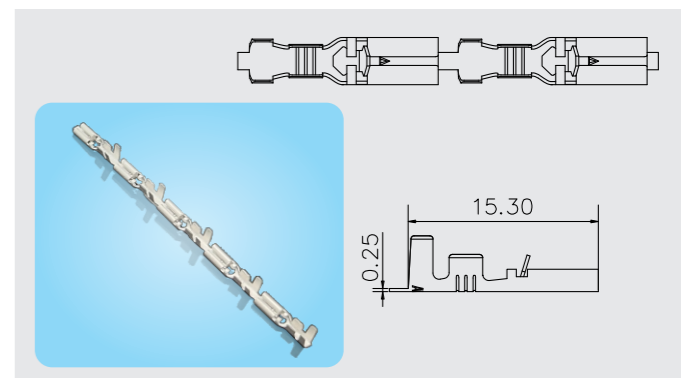
TB110Z



110-02直连自锁 (Tab-on type with self-lock)



110-03直连自锁 (Tab-on type with self-lock)



187端子 Series

Terminal

技术参数 Main specifications

规格单位 Specifications unit: mm

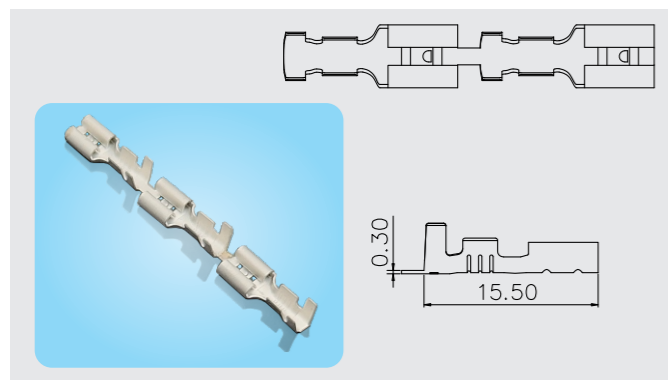
额定电流 Current rating: 5A AC/DC

额定电压 Voltage rating: 250V AC/DC

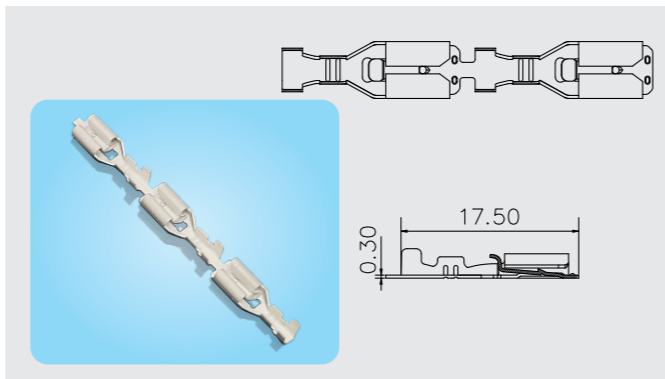
适用温度 Temperature range: -25 °C to +85 °C

接触电阻 Contact resistance: 20 mΩ max

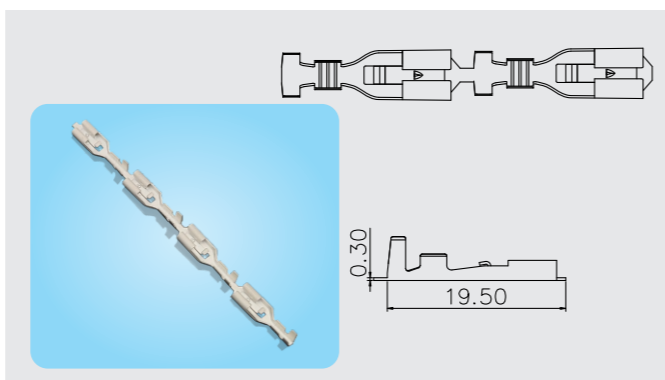
187-04直连端子 (Tab-on)



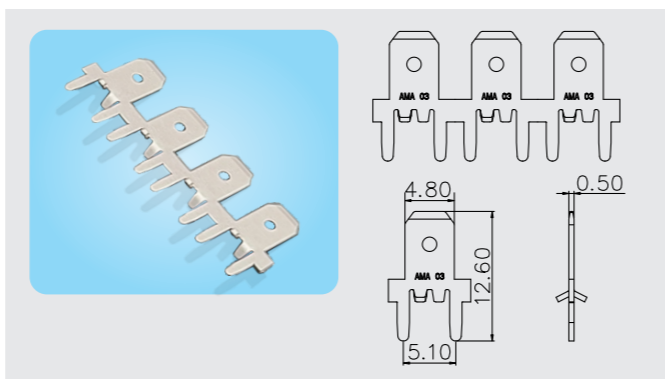
TB187ZL10



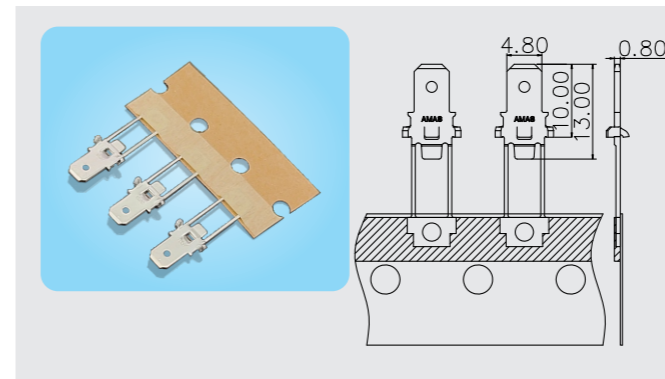
TB187ZL06



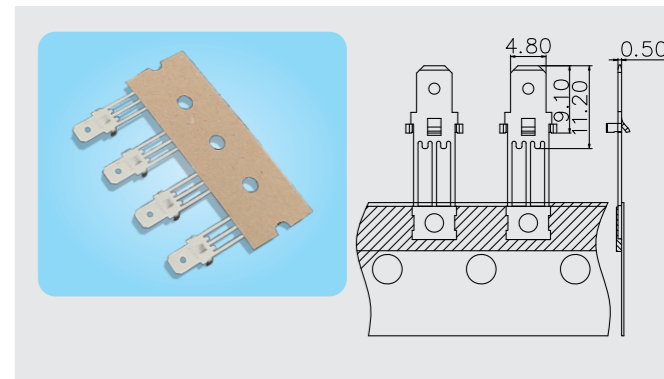
187-11插片 (Tab)



187-09插片纸编带 (Tabs with radial-tape)



187-07插片纸编带 (Tabs with radial-tape)



205端子 Series

Terminal

技术参数 Main specifications

规格单位 Specifications unit: mm

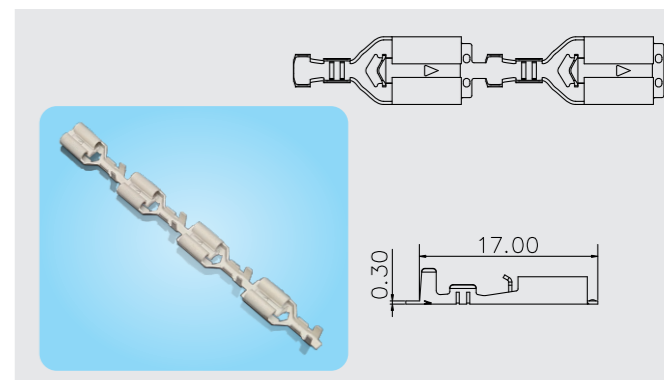
额定电流 Current rating: 2A AC/DC

额定电压 Voltage rating: 250V AC/DC

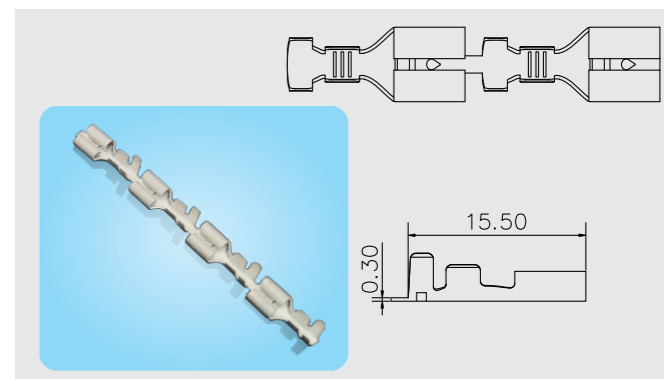
适用温度 Temperature range: -25 °C to +85 °C

接触电阻 Contact resistance: 30 mΩ max

205直连自锁端子 (Tab-on Terminal with self-lock)



205直连端子 (Tab-on)



250端子 Series

Terminal

技术参数 Main specifications

规格单位 Specifications unit: mm

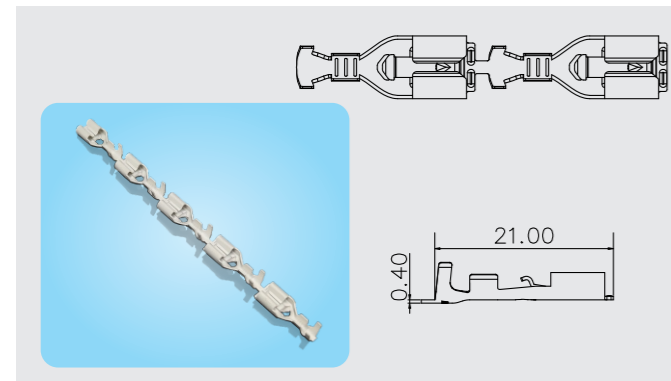
额定电流 Current rating: 5A AC/DC

额定电压 Voltage rating: 250V AC/DC

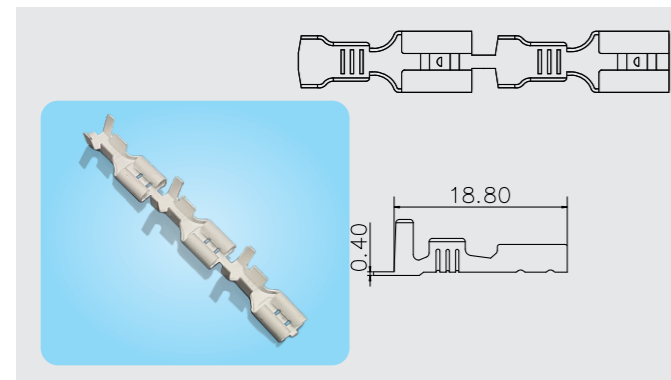
适用温度 Temperature range: -25 °C to +85 °C

接触电阻 Contact resistance: 30 mΩ max

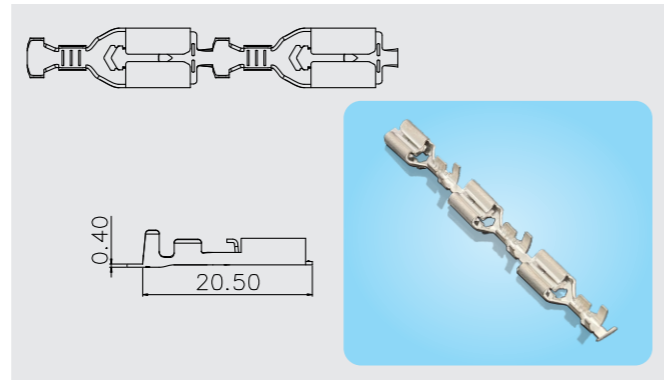
TB250ZL-03



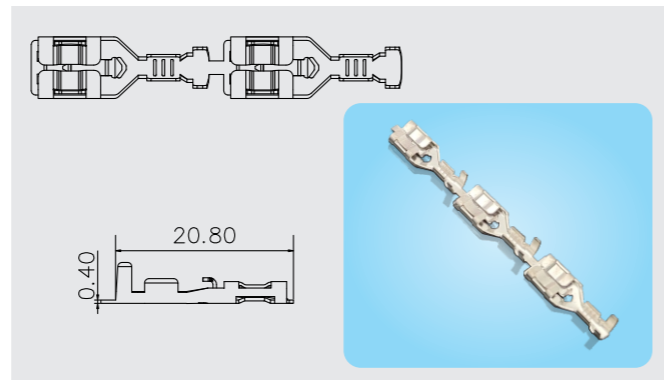
TB250Z-04



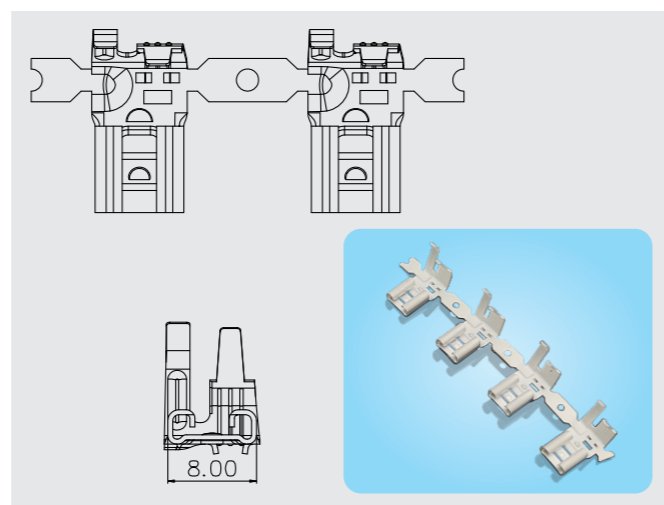
TB250ZL-04



TB250ZL-05



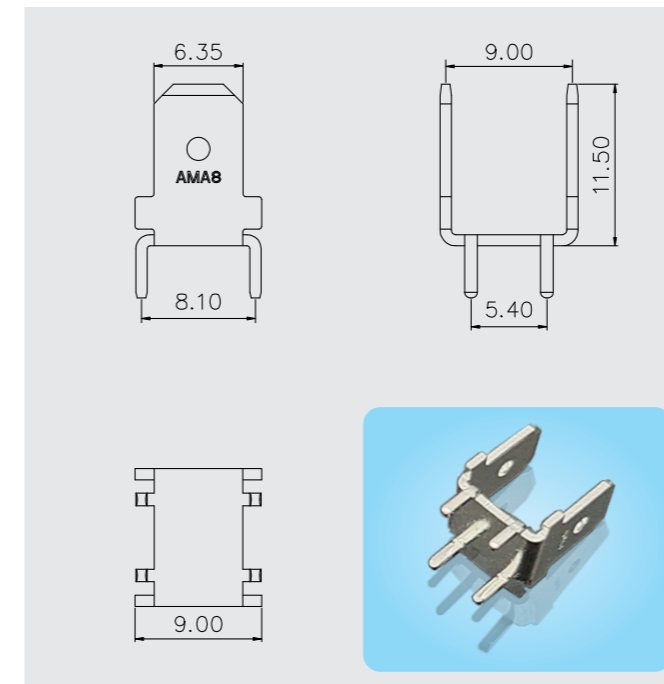
TB250F-04



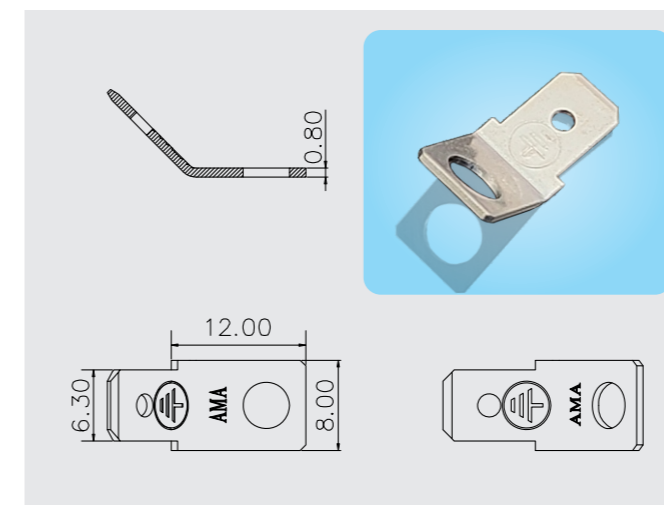
250插片 Series

Tab

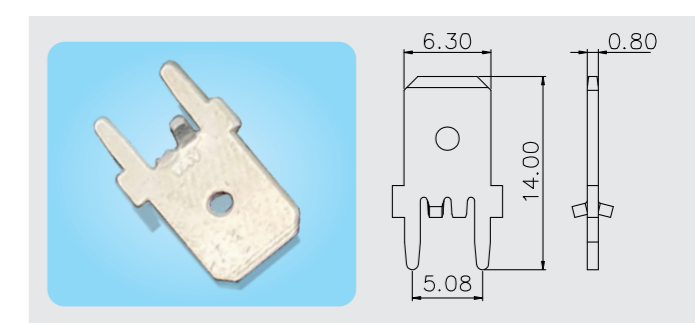
250X2插片 (Tab)



250-05-B接地插片 (Grounding tab)



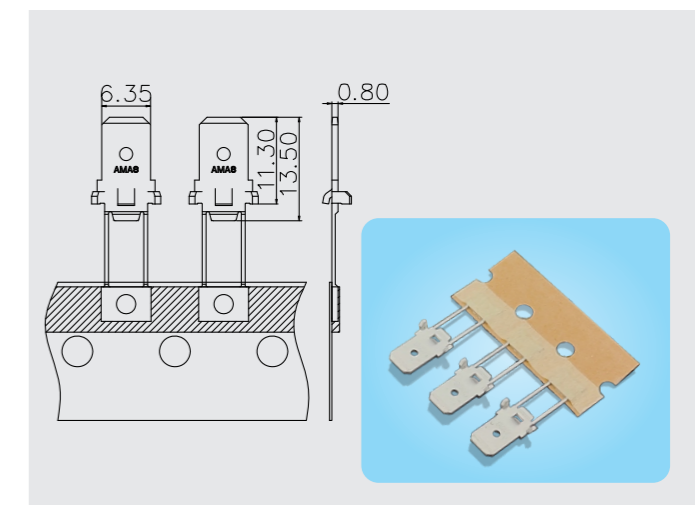
250插片 (Tab)



250U型插片 (U-shaped terminal)



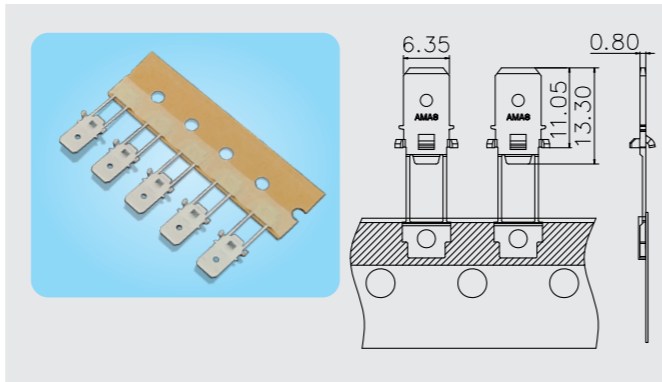
250-03 插片纸编带 (Tabs with radial-tape)



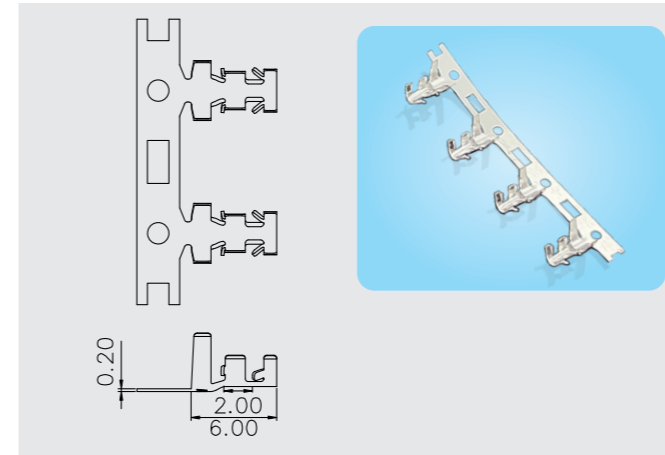
250插片 Series

Tab

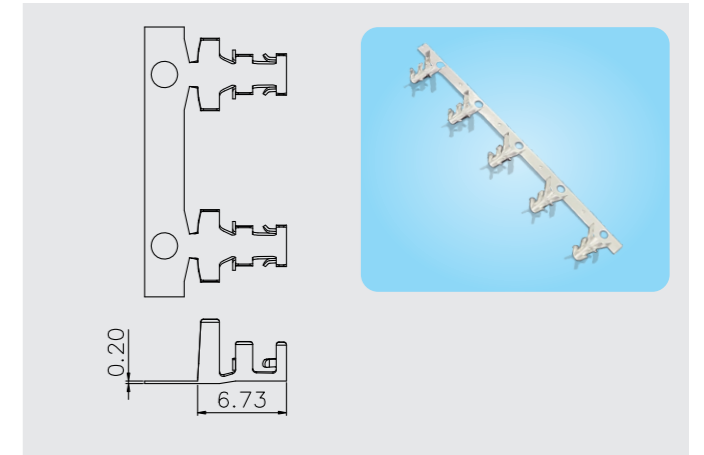
250-04 插片纸编带 (Tabs with radial-tape)



SIN-L



SIN-E



SIN Series

技术参数 Main specifications

规格单位 Specifications unit: mm

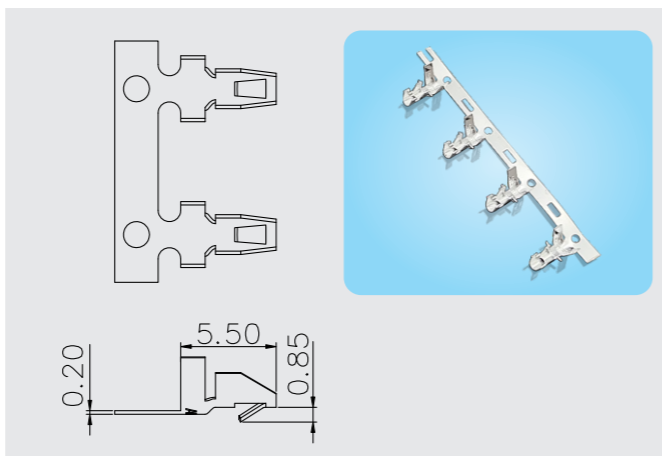
额定电流 Current rating: 3A AC/DC

额定电压 Voltage rating: 250V AC/DC

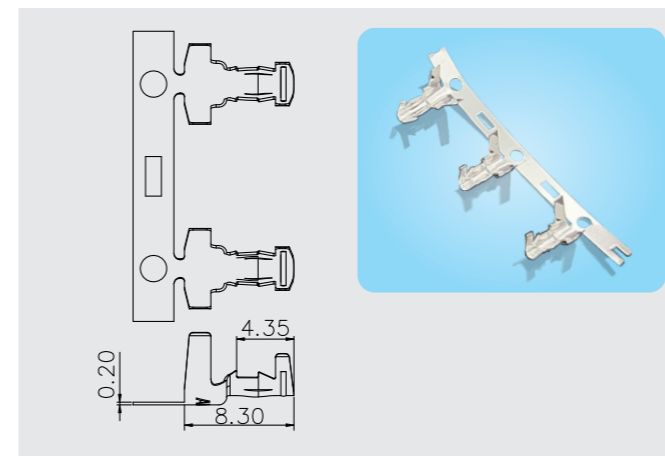
适用温度 Temperature range: -25 °C to +85 °C

接触电阻 Contact resistance: 20 mΩ max

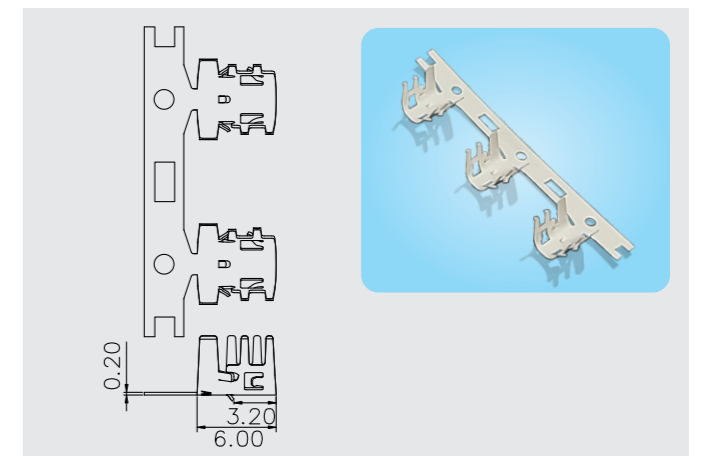
SIN-2.6S



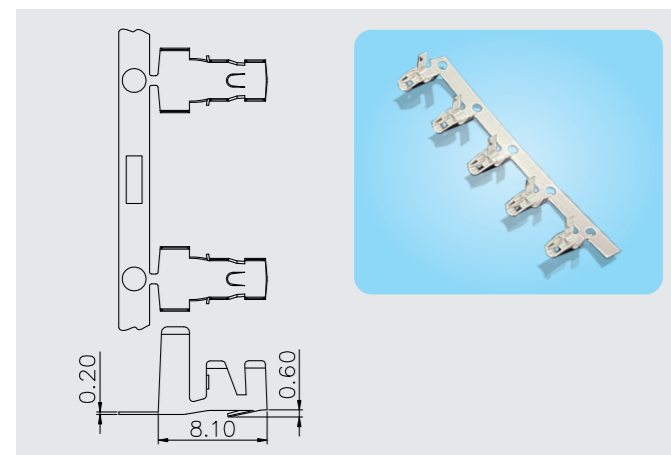
SIN-G



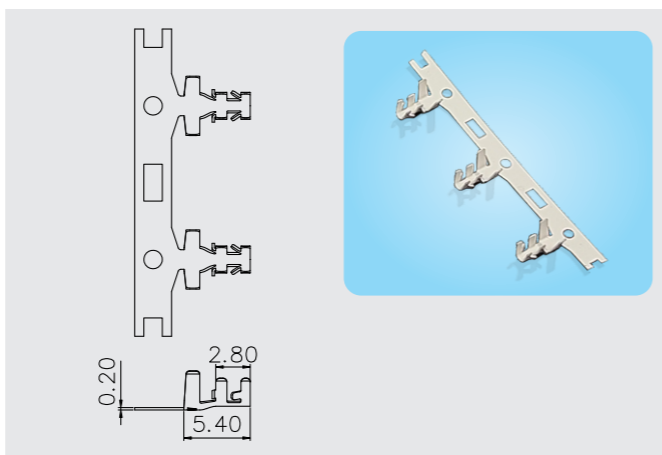
SIN-J



SIN-F

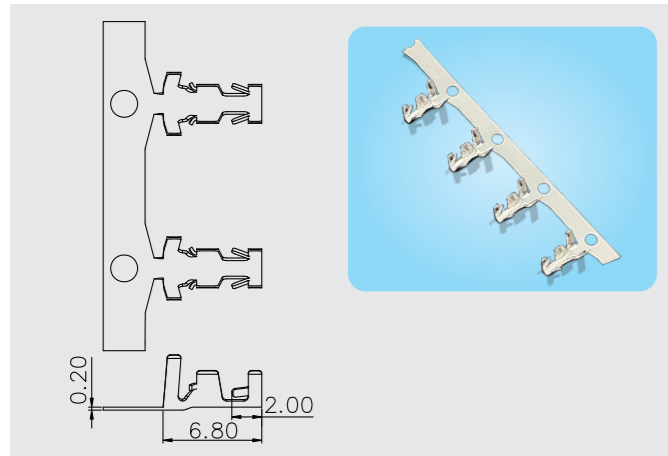


SIN-H



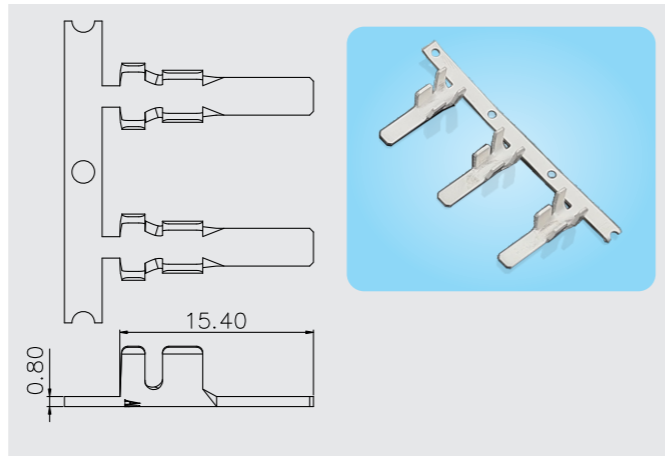
H1802-TA Series

H1802-TA



A3101 Series

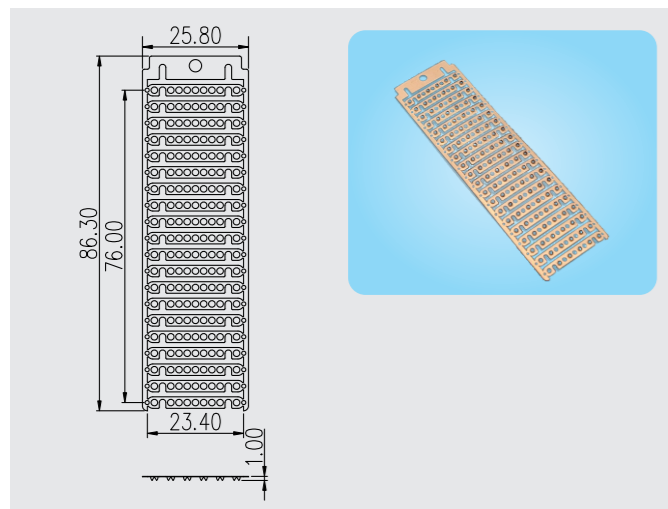
A3101-TA



A920排状铜扣 Series

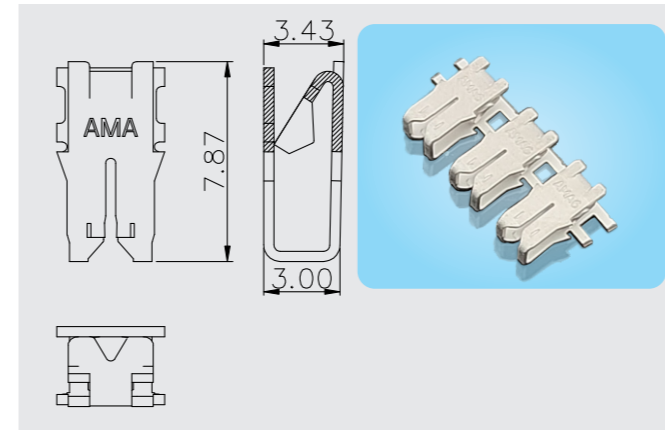
Copper buckle in rows

A920排状铜扣 (Copper buckle in rows)

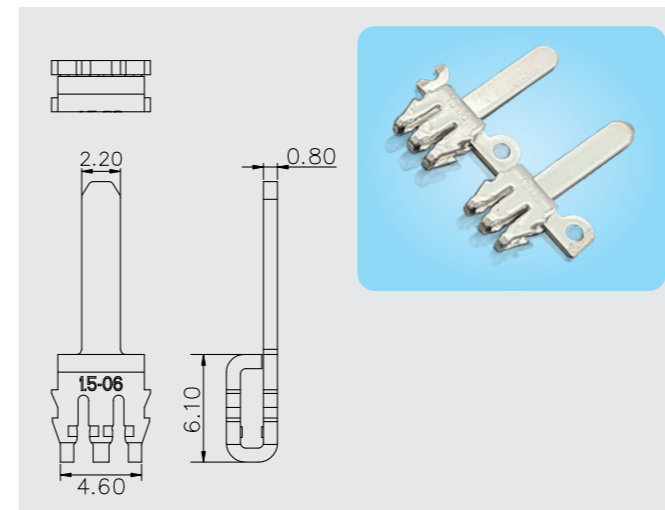


CP Series

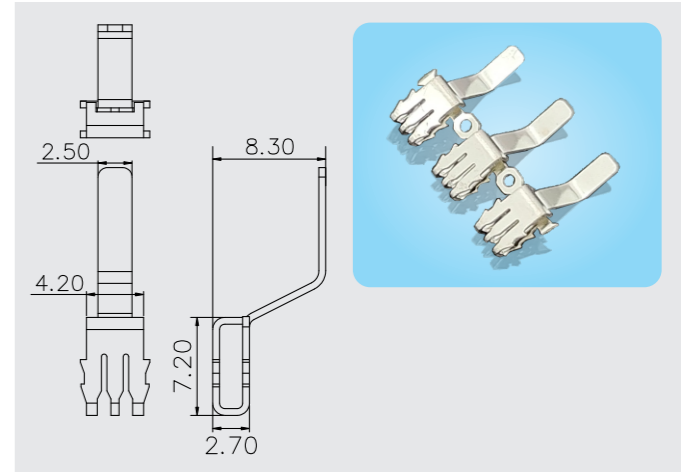
CP-06



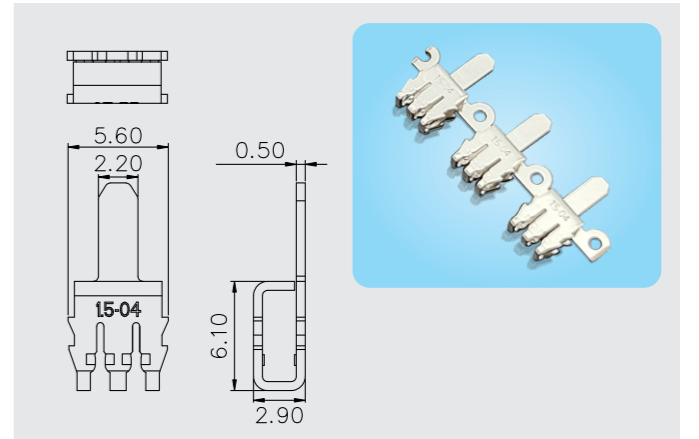
CP-08



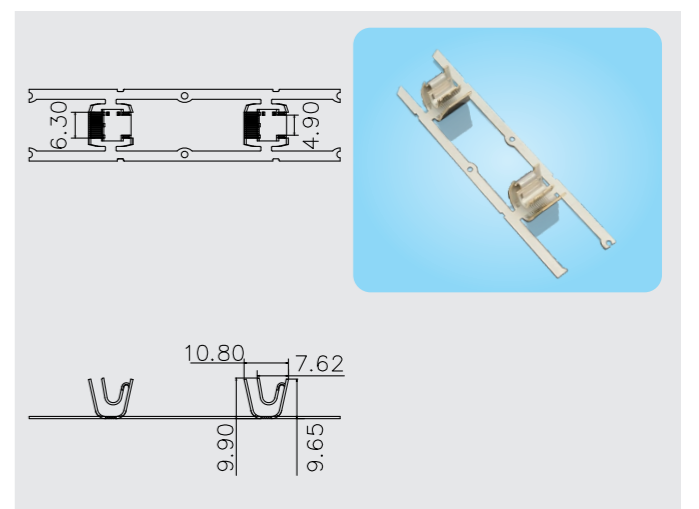
CP-04



CP-07

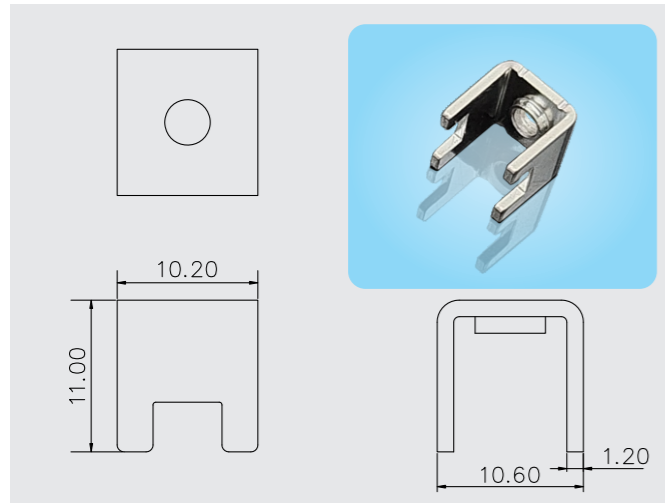


CP-09



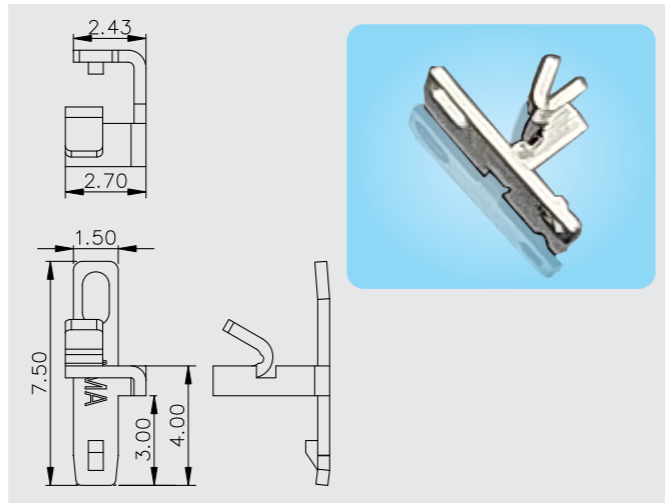
JXZH Series

JXZH 1.2X10.6



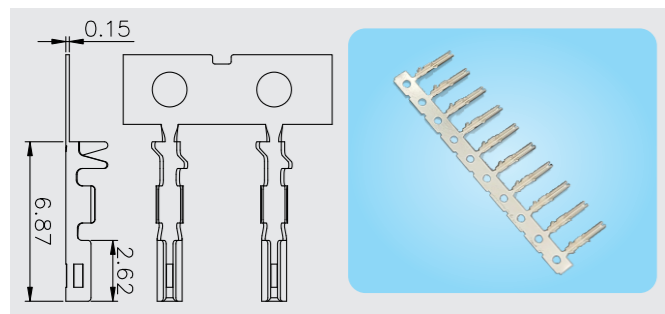
YX1.5 Series

YX1.5-T



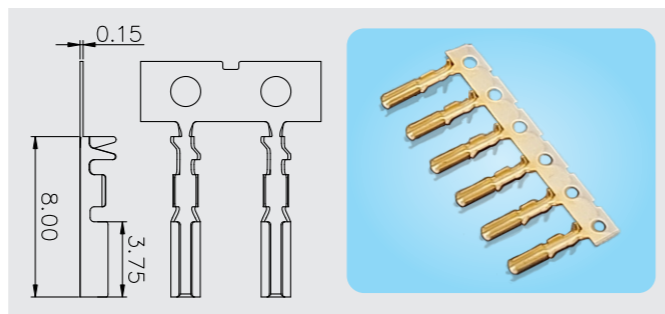
0.76-T Series

ø0.76-T



1.12-T Series

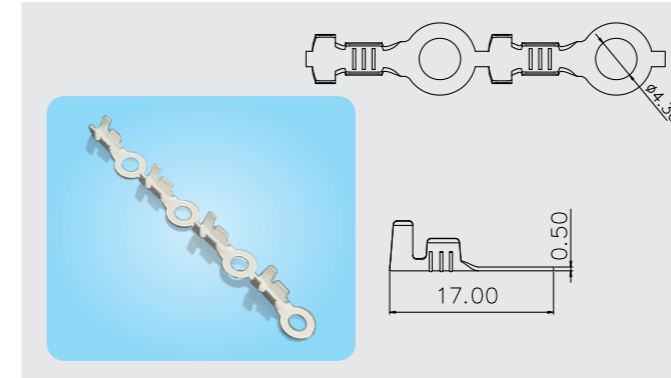
ø1.12-T



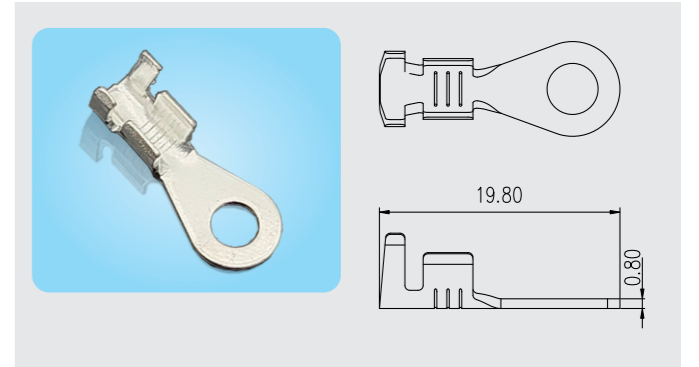
圆环端子 Series

Ring-shaped terminal

ø4.3-1-06 端子 (Terminal)



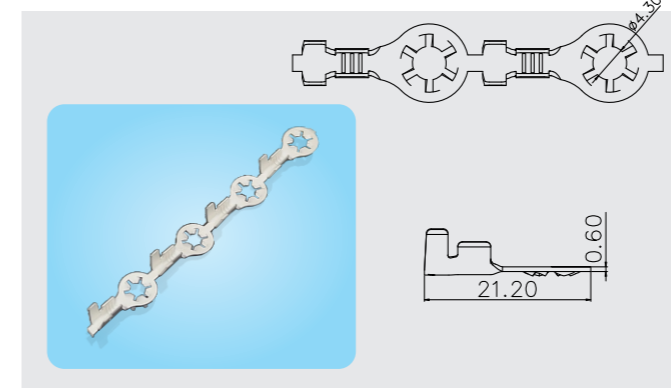
4.2x0.8 圆环端子 (Ring-shaped terminal)



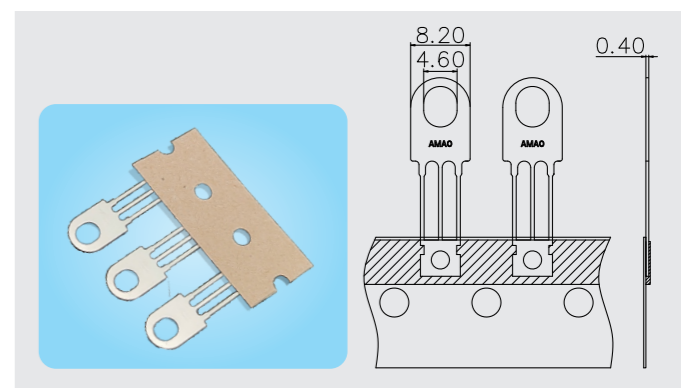
4.3太阳止滑端子 Series 4.6x8.2端子 Series

Anti-slip terminal in Sun-shaped Terminal

ø4.3太阳止滑端子 (Anti-slip terminal in Sun-shaped)

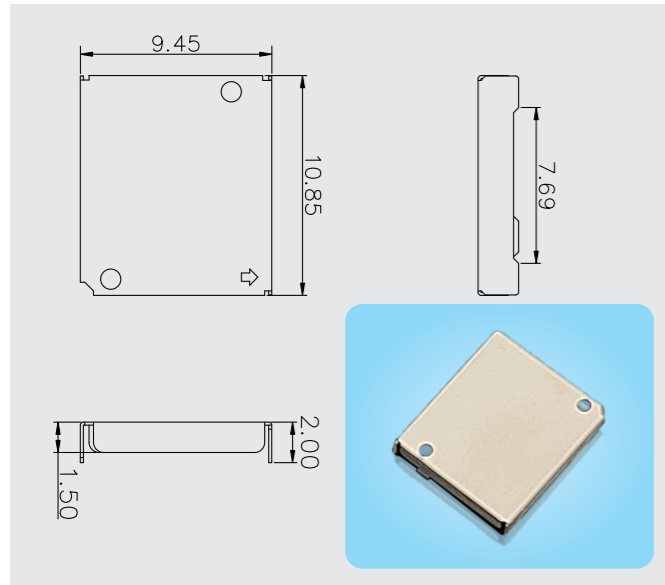


4.6x8.2端子 (Terminal)



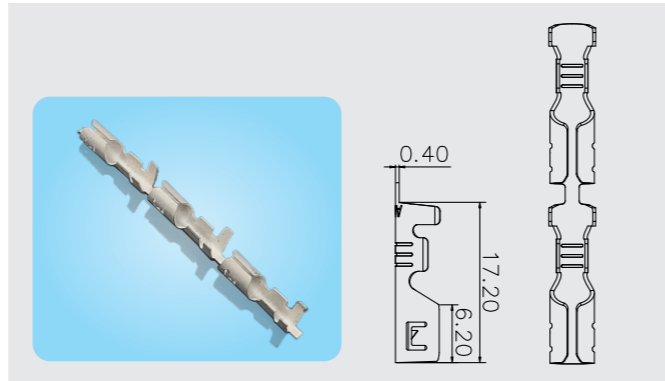
屏蔽罩 Series
Shielding cover

屏蔽罩 (Shielding cover)

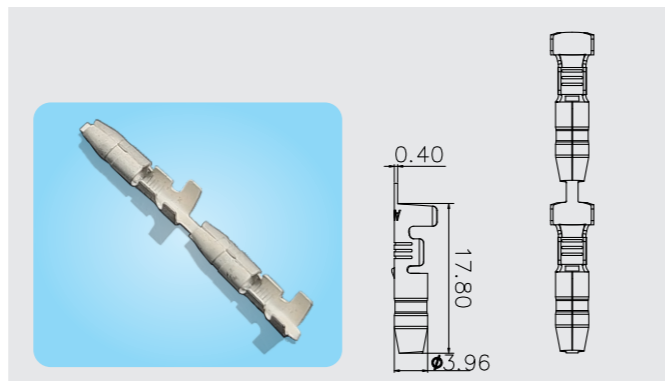


子弹 Series
Bullet-like terminal

子弹壳 (bullet shell)



子弹头 (bullet)



SCS Series

技术参数 Main specifications

规格单位 Specifications unit: mm

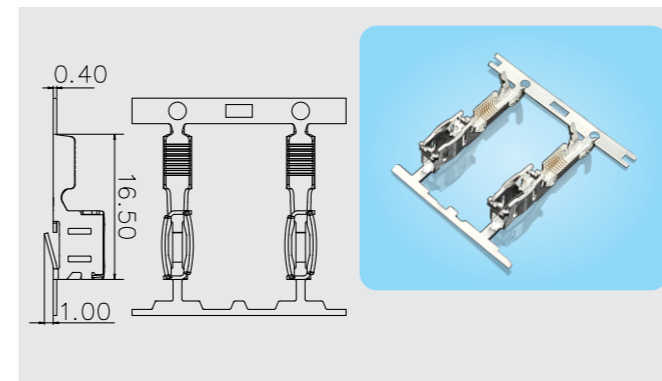
额定电流 Current rating: 10A AC/DC

额定电压 Voltage rating: 250V AC/DC

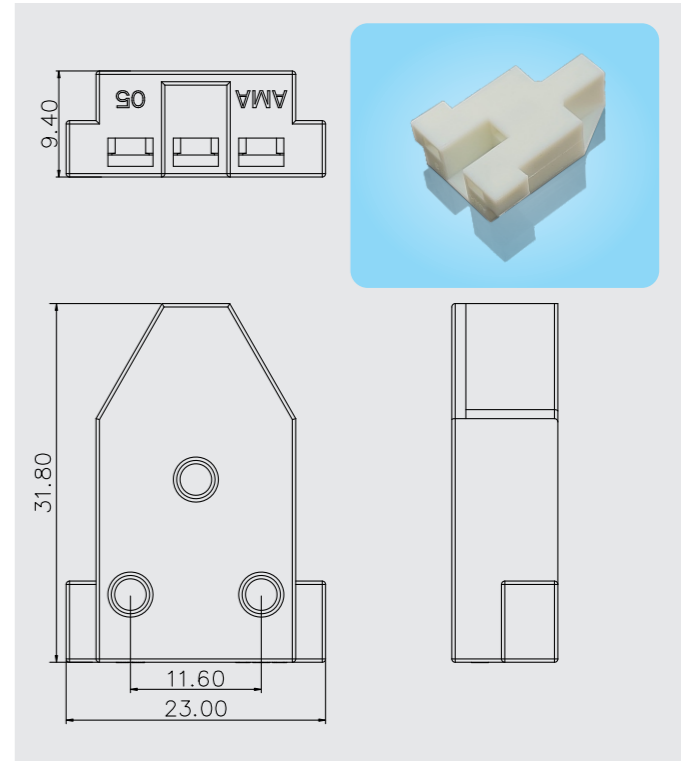
适用温度 Temperature range: -25 °C to +85 °C

接触电阻 Contact resistance: 10 mΩ max

SCS-H端子 (Terminal)



SCS-H塑件 (Housing)





AMA[®]

ZHEJIANG AMA & HIEN TECHNOLOGY.,LTD

Add:Puqi Industria1 Zone,Wenzhou City,China

TEL:86-577-62121888 62121155

FAX:86-577-62121999

Web:<http://www.chinaama.com>

E-mai1:tinac@chinaama.com